

May 27, 1958

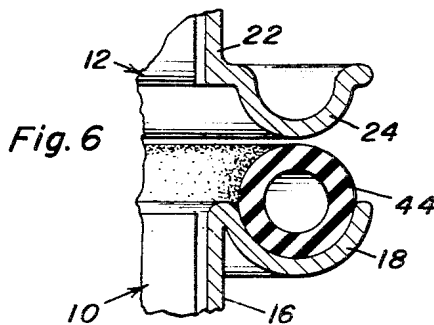
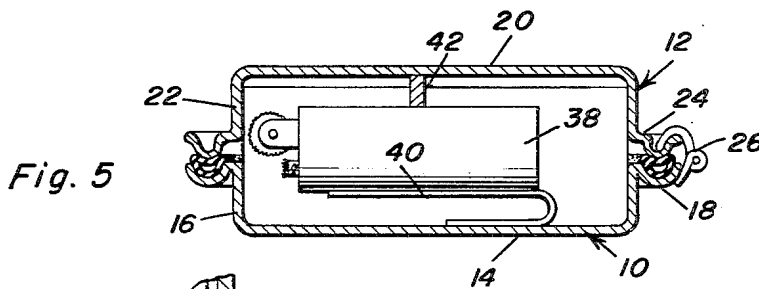
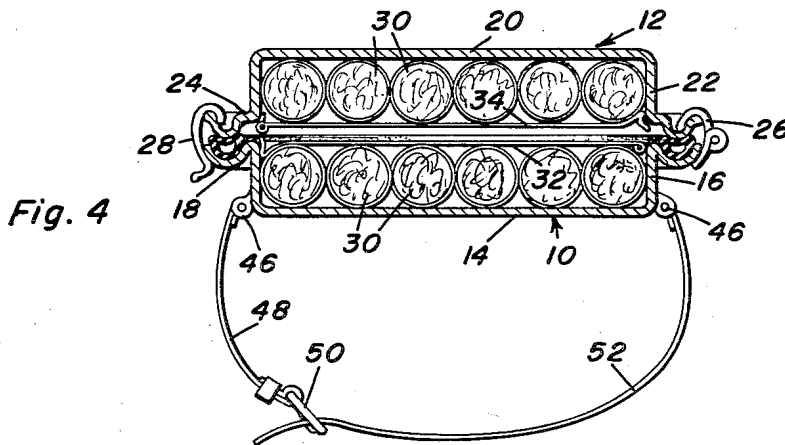
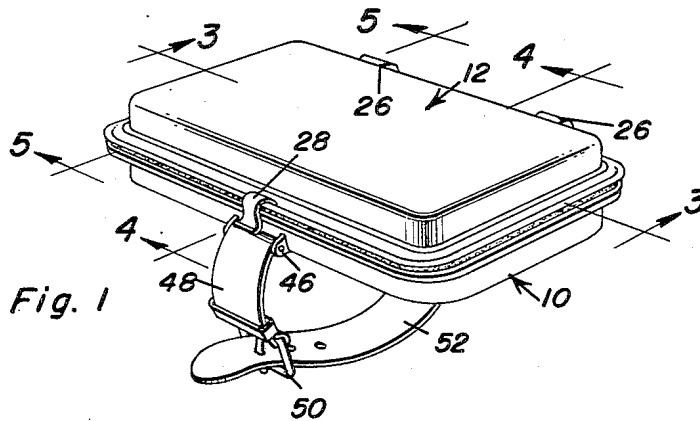
C. T. ATCHISON

2,836,288

WATERPROOF CIGARETTE CASE AND LIGHTER

Filed July 30, 1954

2 Sheets-Sheet 1



Charles Thomas Atchison
INVENTOR.

BY *Almonce W. Dixon*
and Harvey E. Jacobson
Attorneys

May 27, 1958

C. T. ATCHISON

2,836,288

WATERPROOF CIGARETTE CASE AND LIGHTER

Filed July 30, 1954

2 Sheets-Sheet 2

Fig. 2

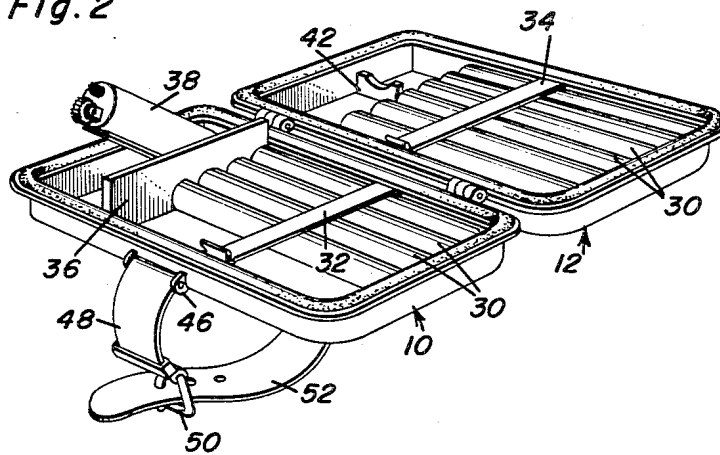


Fig. 3

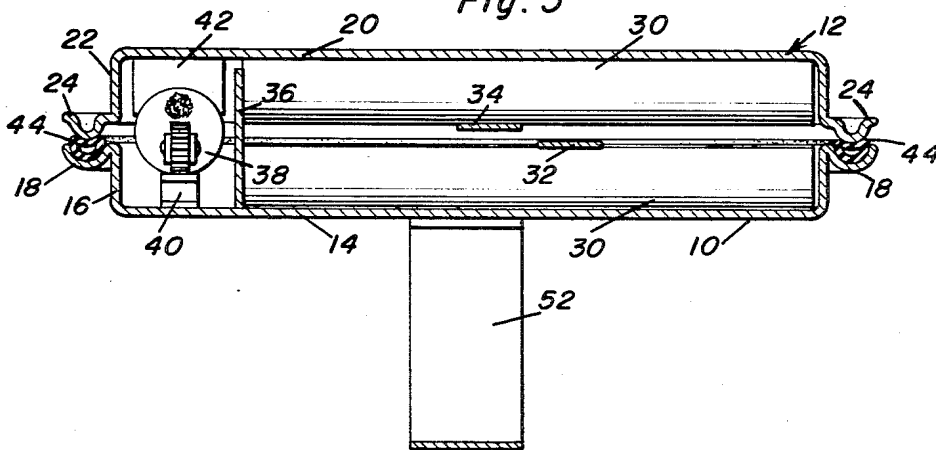
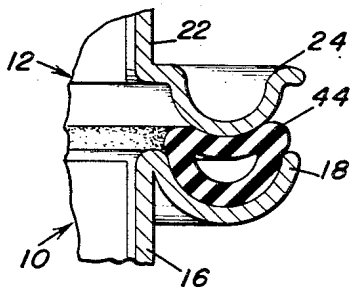


Fig. 7



Charles Thomas Atchison
INVENTOR.

BY *Alvanee A. O'Brien*
and *Harvey B. Jackson*
Attorneys

1

2,836,288

WATERPROOF CIGARETTE CASE AND LIGHTER

Charles Thomas Atchison, Dateland, Ariz.

Application July 30, 1954, Serial No. 446,776

1 Claim. (Cl. 206—41.4)

This invention relates in general to improvements in smoking accessories, and more specifically to an improved cigarette case.

The primary object of this invention is to provide an improved cigarette case which is of water-tight construction whereby the cigarette case may be conveniently carried on one's person while swimming, taking a bath or in damp climates, and at the same time, the cigarettes disposed therein will remain dry.

Another object of this invention is to provide an improved cigarette case which is so constructed whereby the moisture in a cigarette will be retained therein despite the fact that the cigarette case is disposed in hot dry climates.

Another object of this invention is to provide an improved cigarette case which is so constructed whereby it may be conveniently worn on one's wrist.

A further object of this invention is to provide an improved cigarette case which incorporates a lighter, the lighter being so constructed whereby it conveniently fits within the cigarette case and is spring urged to an operative position upon opening of the cigarette case.

These together with other objects and advantages which will become subsequently apparent reside in the details of construction and operation as more fully hereinafter described and claimed, reference being had to the accompanying drawings forming a part hereof, wherein like numerals refer to like parts throughout, and in which:

Figure 1 is a perspective view of the cigarette case which is the subject of this invention and shows the general details thereof;

Figure 2 is a perspective view of the cigarette case of Figure 1 and shows the same in its open state;

Figure 3 is an enlarged longitudinal vertical sectional view taken substantially upon the plane indicated by the section line 3—3 of Figure 1 and shows the general construction of the interior of the cigarette case including the position of the lighter with respect to cigarettes carried by the case;

Figure 4 is an enlarged transverse vertical sectional view taken substantially upon the plane indicated by the section line 4—4 of Figure 1 and shows the relationship of the two halves of the cigarette case as well as the relationship of the wrist engaging strap carried by the lower half;

Figure 5 is a transverse vertical sectional view taken substantially upon the plane indicated by the section line 5—5 of Figure 1 and shows the manner in which the lighter is mounted within the cigarette case, the view being on a larger scale;

Figure 6 is an enlarged fragmentary sectional view showing the arrangement of the peripheral flanges of the housing and the cover of the cigarette case immediately prior to their sealing engagement; and

Figure 7 is an enlarged fragmentary sectional view similar to Figure 6 and shows the peripheral flanges of the housing and cover of the cigarette case when in sealed engagement.

2

Referring now to the drawings in detail, it will be seen that there is illustrated a cigarette case which is the subject of this invention. The cigarette case includes a lower, generally rectangular housing which is referred to in general by the reference numeral 10. The cigarette case also includes an upper cover which is referred to in general by the reference numeral 12. The cover 12 has substantially the same cross-section as the housing 10 and is of the same general outline.

The housing 10 includes a bottom wall 14 which has extending about the edge thereof an upstanding peripheral wall 16. Formed integral with the peripheral wall 16 and projecting outwardly therefrom is a peripheral flange 18. As is best illustrated in Figures 6 and 7, the peripheral flange 18 is recessed and faces upwardly.

The cover 12 includes a top wall 20. The top wall 20 has formed integral therewith and projecting downwardly therefrom a peripheral wall 22. Also formed integral with the peripheral wall 22 is an outwardly disposed peripheral flange 24. As is best illustrated in Figures 6 and 7, the peripheral flange 24 is arcuate in cross-section and projects downwardly from the general plane of the lower edge of the cover 12. It is also to be noted that the peripheral flange 24 is substantially complementary with respect to the peripheral flange 18.

Carried by the peripheral flange 18 and the peripheral flange 24 along one elongated side thereof is a pair of spaced hinges 26. The hinges 26 pivotally connect the cover 12 to the housing 10. Carried by the peripheral flange 24 remote from the hinges 26 is a catch member 28. The catch member 28 is engageable behind the peripheral flange 18 and locks the cover 12 with respect to the housing 10.

Referring now to Figure 2 in particular, it will be seen that cigarettes 30 are removably retained within the housing 10 by a hingedly mounted clip 32. The clip 32 is spring urged to its cigarette retaining position. A similar spring urged clip 34 is hingedly mounted within the cover 12 and retains cigarettes 30 therein.

As is best illustrated in Figure 2, the cigarettes 30 do not extend the full length of the cover 12 or the housing 10. Carried by the housing 10 is a transverse partition 36 which projects upwardly therefrom and also forms a partition for the cover 12 when the cover 12 is in its closed position.

Mounted on the side of the partition 36 remote from the cigarettes 30 is a conventional type cigarette lighter 38. The cigarette lighter 38 is carried by a flat leaf spring 40 which is reversely bent and secured to the bottom wall 14 of the housing 10, as is best illustrated in Figure 5. The cigarette lighter 38 is retained in a recessed position substantially within the housing 10, but projecting upwardly into the cover 12 by a retaining plate 42 carried by the top wall 20 of the cover 12 and projecting downwardly therefrom, as is best illustrated in Figures 2 and 5. When the cover 12 is moved to its open position of Figure 2, the leaf spring 40 automatically urges the lighter 38 upwardly to the position illustrated in Figure 2 for use.

Referring now to Figures 6 and 7 in particular, it will be seen that there is seated within the recess of the peripheral flange 18 a resilient sealing member 44. The sealing member 44 is formed of rubber or a rubber-like product and is tubular. It is to be noted that the sealing member 44 projects upwardly out of the recess of the peripheral flange 18. When the cover 12 is moved to its cigarette case closing position, the projecting portion of the peripheral flange 24 compressively engages the sealing member 44 and forms a tight resilient seal therewith, as is best illustrated in Figure 7. Thus, the cigarette case, which is the subject of this invention, is made water-tight.

3

In order that the cigarette case may be conveniently worn on one's wrist, there are provided a pair of hinges 46 carried by the bottom part of the peripheral wall 16 along opposite longitudinal sides thereof. One of the hinges 46 has pivotally secured thereto a relatively short strap member 48 which is provided at its opposite ends with a buckle 50. An elongated strap member 52 is pivotally connected to the other of the hinge members 46 and engages with the buckle 50 to form a complete loop, the bottom wall 14 of the housing 10 forming the upper part of the loop. When the strap members 48 and 52 are properly positioned and connected together by the buckle 50, the cigarette case may be retained on one's wrist.

In the case of lady users of my invention, it may prove convenient to provide a suitable lipstick receptacle. Such a receptacle may be in the form of a simulated cigarette and retained in place by one of the clips 32 and 34.

From the foregoing, the construction and operation of the device will be readily understood and further explanation is believed to be unnecessary. However, since numerous modifications and changes will readily occur to those skilled in the art, it is not desired to limit the invention to the exact construction shown and described, and accordingly, all suitable modifications and equivalents may be resorted to, falling within the scope of the appended claim.

What is claimed as new is as follows:

A waterproof cigarette case comprising a housing and a cover, an arcuate cross-sectional recessed peripheral flange on said housing, a tubular flexible sealing strip partially seated in said recessed peripheral flange and projecting therefrom above the confines of the housing, said peripheral flange being disposed outwardly of the general confines of said housing, an outwardly projecting arcuate cross-sectional peripheral flange on said cover, said projecting peripheral flange on said cover extending down below the confines of the cover, mating with said flange on said housing and compressibly engaging said sealing strip when said cover is in a closed position to form a waterproof joint between said housing and said cover, hinge members extending between and secured to adja-

4

cent portions of said peripheral flanges to hingedly connect said cover to said housing, a latch member carried by said projecting peripheral flange on said cover remote from said hinge members, said latch member being resiliently engaged over an adjacent portion of said recessed peripheral flange on said housing to releasably retain said cover in a closed position, a partition in said housing dividing said housing into a cigarette receiving compartment and a lighter compartment, a reversely bent spring having first and second portions, said first portion being directly secured to said housing within said lighter compartment, a lighter, said lighter being directly secured to said second portion with said spring normally urging said lighter out of said lighter compartment to an operative position, a retaining plate carried by said cover and normally engaging said lighter to hold said lighter in a retracted position, and means carried by said housing and said cover for retaining cigarettes within both said housing and said cover.

References Cited in the file of this patent

UNITED STATES PATENTS

256,716	Matthews	Apr. 18, 1882
912,110	Gill	Feb. 9, 1909
1,053,758	Turnbull	Feb. 18, 1913
1,101,310	Mendelson et al.	June 23, 1914
1,573,239	Gilliland	Feb. 16, 1926
1,581,547	Rowe	Apr. 20, 1926
1,599,652	Cranston	Sept. 14, 1926
1,851,750	Cartuschka	Mar. 29, 1932
1,852,035	Von Frankenberg	Apr. 5, 1932
1,932,221	Krause	Oct. 24, 1933
1,948,263	Green	Feb. 20, 1934
2,028,050	Walker	Jan. 14, 1936
2,087,056	Bowen	July 13, 1937
2,108,445	Reilly	Feb. 15, 1938
2,194,983	Neff	Mar. 26, 1940
2,410,585	Keitner	Nov. 5, 1946
2,715,152	Balzer	Aug. 9, 1955

FOREIGN PATENTS

595,917	France	July 27, 1925
---------	--------	---------------