

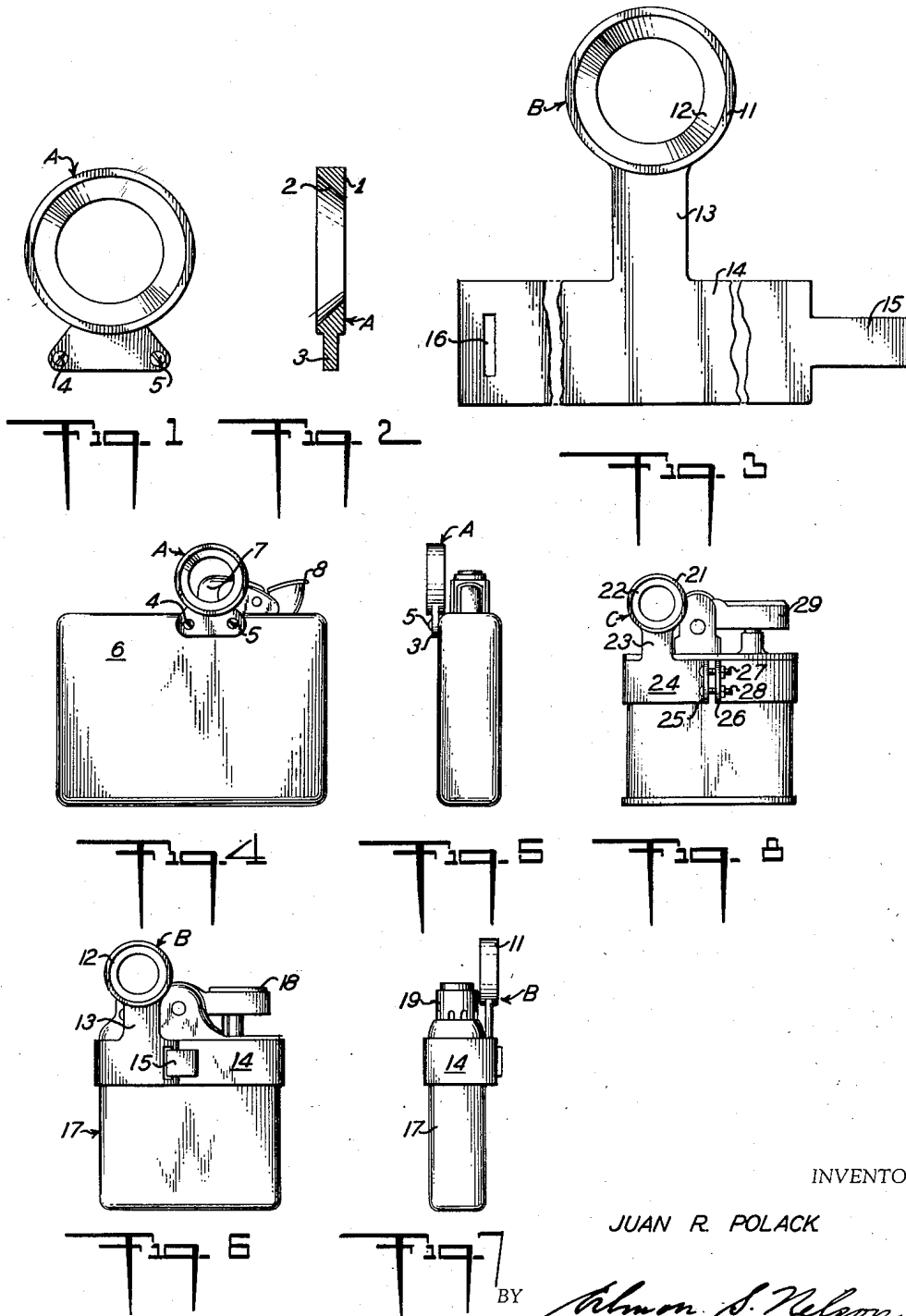
Jan. 7, 1958

J. R. POLACK

2,818,715

LIGHTER FOR BLIND PERSONS

Filed Aug. 6, 1952



INVENTOR

JUAN R. POLACK

BY

Almon S. Nelson

ATTORNEY

1

2,818,715

LIGHTER FOR BLIND PERSONS

Juan R. Polack, New York, N. Y., assignor of one-fourth to Lucio Landerer, Washington, D. C.

Application August 6, 1952, Serial No. 302,873

1 Claim. (Cl. 67-7.1)

This invention is directed to the provision of a cigarette lighter which may be easily and safely used by blind persons.

Heretofore when a blind person has used a conventional cigarette lighter, there has been a tendency for the blind user to injure himself due to burning of the fingers. There is also a disadvantage for blind persons when using conventional cigarette lighters because it is not always possible to adjust the flame to the exact point desired, namely, the end of the cigarette. It is an object of this invention to overcome both disadvantages.

A further object of the invention is to provide a ring-like attachment which may be directly secured by bolts, screws, rivets, or welding to a cigarette lighter casing or any part of a cigarette lighter immediately adjacent the flame of the lighter.

It is another object of the invention to provide a ring-like member adapted to receive the end of a cigarette and to position the same immediately adjacent the flame of the lighter.

A further object of the invention is to provide an attachment having a ring-like member for the reception of the end of a cigarette, this attachment being removably connected to a cigarette lighter.

A further specific object of the invention is to provide a ring-like member adapted to receive the end of the cigarette and in turn being secured or integral with a strap-like member which may be detachably secured to a cigarette lighter.

A further and more detailed object is to provide a strap-like member as described above having a tongue at one end and a slot at the other end thereof so that the tongue may be received in the slot and reversely bent upon itself so as to maintain the same firmly in place on the cigarette lighter casing.

Another detailed object of the invention is to provide a strap-like member of the nature described above having end flanges provided with one or more holes for the reception of securing means such as bolts or the like.

Other and further objects of the invention will become apparent as the description proceeds, reference being made to the accompanying drawings forming a part of the present disclosure, wherein:

Fig. 1 is a front elevation of one form of an attachment for holding a cigarette.

Fig. 2 is a vertical cross-section of Fig. 1.

Fig. 3 is a front elevation of a modified form of an attachment.

Fig. 4 is a front elevation of the attachment shown in Fig. 1 and secured in place upon a cigarette lighter.

Fig. 5 is an end elevation of Fig. 4.

Fig. 6 is a front elevation of the modification shown in Fig. 3 when installed upon a lighter.

Fig. 7 is an end elevation of Fig. 6.

Fig. 8 is a front elevation of another modification showing the same secured in place upon a cigarette lighter.

Referring now to the drawings, and more particularly

2

to Fig. 1, it will be seen that the cigarette holding means A comprises a ring-like member 1 having an interior annular bevelled surface 2 which flares outwardly away from the flame of the lighter when it is installed. This ring member 1 is provided with a dependent flange 3 which is apertured to receive the small bolts 4 and 5. It will be understood of course that other securing means may be employed such as welding, riveting, or screws and the like.

The ring member A is shown in attached position in Fig. 4 where the lighter is equipped with a snuffer 7 actuated by the presser member 8. When the presser is pushed downwardly, the lever rises and the flame is positioned centrally of the bevelled opening 2. In use the blind person can very easily insert the end of the cigarette into the annular space since the bevelled surface 2 has a diameter which varies from slightly larger than that of the cigarette to a little less than the diameter of such a cigarette. The blind person can easily push the cigarette in place, then lift the lighter so as to receive the cigarette between his lips, and then push the actuating lever or presser member 8. When the user inhales, the cigarette is ignited, and the lighter may be easily withdrawn.

Another form of an attachment is shown in Fig. 3 wherein the cigarette holding means B comprises a ring member 11 having an outwardly flaring surface 12. The ring member is provided with a dependent portion 13 that is integral with the strap-like member 14. A tongue 15 is provided at one end of the strap-like member and this tongue is adapted to be received in the slot 16 which extends parallel to and adjacent the other end of the strap member 14.

This form of the invention is shown in installed position in Figs. 6 and 7 wherein the presser member 18 actuates the snuffer 19 so that the flame of the lighter is positioned adjacent to and centrally of the flaring opening 12. In this form of the invention the operation is the same as described with respect to Figs. 1 and 4.

In a further modification shown in Fig. 8 the cigarette holding means C again comprises a ring member 21 having a flaring opening 22. In this case ends of the strap-like member 24 are provided with outstanding flanges 25 and 26. These extend in parallel planes and are apertured to receive the bolts 27 and 28. Here again the attachment may be secured to the lighter in any desired manner.

As described above, when the lighter is actuated by pressure upon the member 21, a flame projects upwardly from the lighter casing so as to extend immediately adjacent to the flaring opening 22 and centrally thereof.

It is to be understood that the attachment shown may be used in any form of pyrophoric cigarette lighter, that is, either those with the wick type employing liquid fuel or those with the gas type in which the wick is eliminated and a stream of gas projects upwardly in a flame adjacent to the ring member.

From the foregoing description it will be seen that a lighter has been provided that is exceedingly useful to blind persons since the same can be easily employed by a blind person, and when so used will eliminate any possibility of burning the user's fingers and will also facilitate use of the lighter because the cigarette is placed in the ring member and then the lighter is brought to a position adjacent the lips of the user, and after the same has been engaged between the lips of the user, the lighter is operated.

It will be obvious that modifications may be made by those skilled in the art without departing from the spirit of the invention, and it is my desire to cover all such modifications as come within the scope of the invention,

I claim:

Apparatus of the character described comprising the combination of a pyrophoric lighter with a detachable cigarette holding means, said means consisting of a ring having an inner diameter corresponding to that of a conventional cigarette, said diameter being precisely dimensioned to slidably receive a conventional cigarette by line contact therewith and being adapted to hold the end of a cigarette adjacent the flame which is produced by operation of said lighter, said ring having a thickness that is substantially less than the diameter of a conventional cigarette, and being located closely adjacent to the flame of said lighter when the same is operated, said ring also being manually accessible at all times on both sides thereof and being rigidly secured to the casing of said lighter in a fixed position, said ring having an annular interior bevelled surface, said bevelled surface flaring outwardly and away

5

10

15

from said lighter, whereby a blind person can readily position a cigarette in said ring in proper spaced relationship with said flame.

References Cited in the file of this patent

UNITED STATES PATENTS

1,782,544	Myers -----	Nov. 25, 1930
2,243,924	Schmitt -----	June 3, 1941
2,499,752	Hrabal -----	Mar. 7, 1950
2,622,424	Paige -----	Dec. 23, 1952
2,629,999	Eggleston -----	Mar. 3, 1953

FOREIGN PATENTS

618,797	France -----	Dec. 21, 1936
946,107	France -----	Dec. 6, 1948
966,812	France -----	Mar. 15, 1950