

Feb. 26, 1957

S. LEIBOW

2,782,910

COMBINATION CIGARETTE DISPENSER, SUPPORT AND LIGHTER

Filed Oct. 27, 1955

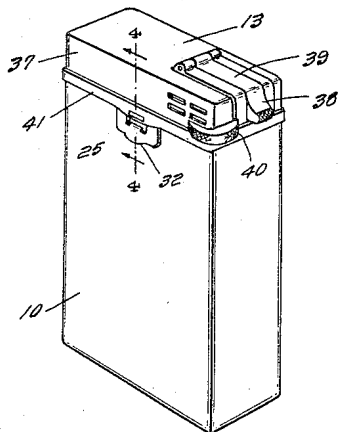


Fig. 1

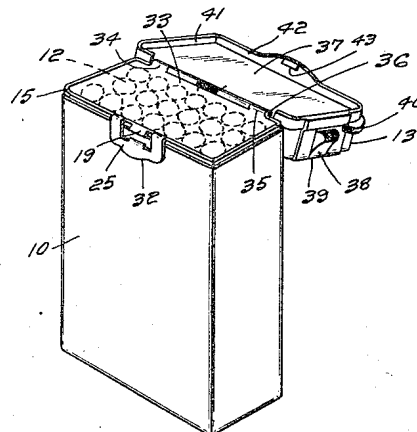


Fig. 2

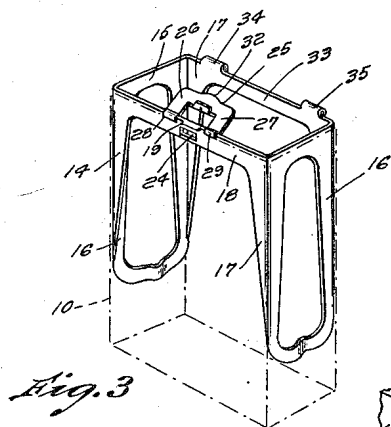


Fig. 3

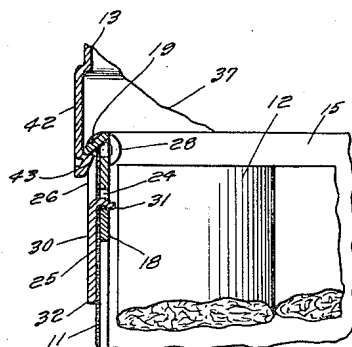


Fig. 4

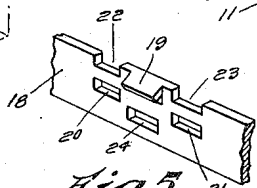


Fig. 5

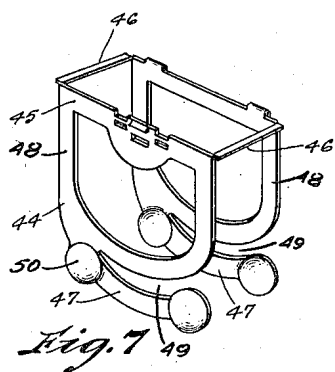


Fig. 7

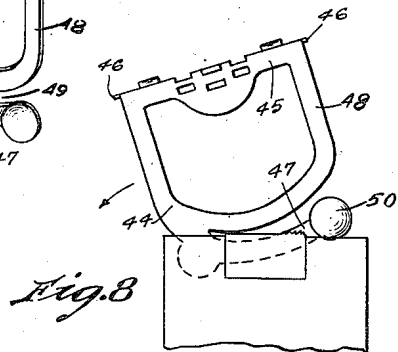


Fig. 8

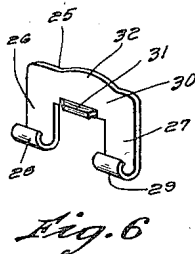


Fig. 6

INVENTOR.
Saul Leibow
BY
Nathaniel Frucht
Atty.

1

2,782,910

COMBINATION CIGARETTE DISPENSER, SUPPORT, AND LIGHTER

Saul Leibow, Providence, R. I.

Application October 27, 1955, Serial No. 543,150

4 Claims. (Cl. 206—41.4)

The present invention relates to cigarettes as normally sold in packs, and has particular reference to a novel lighter mounting which serves as a dispenser support for the cigarettes.

The principal object of the invention is to provide a lighter support which is readily mounted on a cigarette pack and serves as an openable cover thereof.

Another object of the invention is to provide a rigid frame for detachable mounting on a cigarette pack, which releasably locks to the pack and includes a hinged cover housing a lighter.

A further object of the invention is to provide a frame for detachable mounting on a cigarette pack, which includes a support for detachable mounting on a cigarette pack, which includes a support for the cigarette pack and a hinged cover housing a lighter.

The above and other objects and advantageous features in view are more fully disclosed hereinafter in the detailed description following, in conjunction with the accompanying drawings, and are more specifically defined in the claims appended thereto.

In the drawings,

Fig. 1 is a perspective view of a cigarette pack with the combination dispenser support and lighter mounted thereon;

Fig. 2 is a view similar to Fig. 1, the cover being swung back for access to the cigarettes;

Fig. 3 is a perspective detail of the support and its lock mechanism for mounting on a cigarette pack, indicated in dotted lines;

Fig. 4 is an enlarged fragmentary detail on the line 4—4 of Fig. 1;

Fig. 5 is a perspective detail of the support front rail;

Fig. 6 is a perspective of the lock hinge associated therewith;

Fig. 7 is a perspective view of a modified construction for the combination dispenser support and lighter; and

Fig. 8 is a side view showing the manner of mounting the modification of Fig. 7 into a cigarette pack between the paper and the foil.

It has been found desirable to provide a combination support and lighter for a cigarette pack, the support being mounted on and locking to the pack and serving as a rigid support for the pack as the cigarettes are withdrawn, and having a hinged cover which houses a cigarette lighter mechanism. To this end, I have provided a frame or shell having downwardly extending parts adapted to be inserted and locked into the top of a pack after the upper pack layer is removed to expose the cigarettes, and to thus support the pack corners and the pack upper rim; and I have hinged a cover to this frame which houses a lighter mechanism.

Referring to the drawings, the cigarette pack 10 is of standard type, with an outer container which for convenience is designated 11 in Fig. 4, and which usually includes an outer cellophane layer, a paper layer and a tin foil type layer, in which the cigarettes 12 are housed. The top of the container 11 being torn away in whole or in

2

part, as desired, a support generally designated as 13, see Fig. 1, may be mounted on the pack.

The support 13 includes a frame 14, see Fig. 3, preferably of metal, with an upper rim 15 of rectangular shape and depending side pieces 16 shaped as illustrated to reduce weight and having cooperating front and rear depending portions 17 whereby the frame may be set into the pack between the container layers or preferably between the container and the cigarettes as illustrated in Fig. 4. This provides a very sturdy support for the pack.

As clearly shown in Figs. 3 and 5, the front rail 18 of the rim 15 includes a forwardly projecting lock tooth 19, spaced pivot openings 20, 21 which have associated upper slots 22, 23, and a central slot or opening 24. A lock hinge 25, see Fig. 6, has two spaced sides 26, 27 terminating in hinge rolls 28, 29 adapted to seat in the pivot openings 20, 21, and a front panel 30 which has a lock tooth 31 adapted to enter the slot 24 and also a finger engageable tab 32 for swinging release.

The frame being set into the cigarette pack container, the hinge plate 25 is bent down to extend the tooth 31 through the slot 24, see Fig. 4, and through the container layers, to thus lock the frame to the container. In this position the lock tooth 19 projects forwardly.

The rear panel 33 of the rim 15 has two spaced hinge bends or rolls 34, 35 for receiving a hinge pin 36, whereby a cover 37 is hingedly mounted on the frame. The cover is preferably hollow for replenishing filling with lighter fluid, and includes a lighter mechanism 38 of standard type, with hinged closure 39 and knurled manually rotatable wheel 40. The cover is preferably provided with a depending outer flange 41 to seat over the rim 15, the front wall 42 of the flange having a tooth 43 for releasable engagement with the lock tooth 19. The frame is sufficiently resilient so that inward pressure on the hinge 25 will release the tooth 43 and thus permit opening of the cover for taking out a cigarette. If desired, a spring may be mounted on the hinge pin 36 to assist the cover opening movement.

The above described construction positions the side pieces 16 and the front and rear portions 17 inside the paper and the foil next to the cigarettes. An alternative construction is shown in Figs. 7 and 8, in which the supporting side pieces are positioned between the paper and foil at the front and back of the cigarette pack. The support 44 includes an upper rim 45 which has end flanges 46 as shown in Fig. 7 and is preferably hollowed out for lightness, as illustrated, and is provided with two downwardly extending legs 47 whereby the support 44 consists of two spaced elements adapted to be inserted between the paper and the foil of the cigarette pack, and to underlie the stamp, the remaining structure being as shown in Figs. 2 and 3 whereby the support may be removably locked in place.

More specifically, and as will be seen most clearly in Fig. 7, the support 44 comprises a downwardly extending U-shaped portion 48, the legs 47 merging from the lower end thereof, as shown, so as to provide open-ended, elongated slots 49, the purpose of which will soon become apparent. As will be noted, the legs 47 are provided at each extremity with a dished, circular tab 50, preferably integrally formed with respect to the legs 47.

In operation and use, the support 44 is forced into the pack, the tabs 50 penetrating between the paper and foil of the pack and the dished configuration of said tabs functioning to separate the paper and the foil whereby to facilitate entry therebetween. The support is then slid under the revenue stamp whereby the latter is positioned within the slot 49, note Fig. 8. The support is then rocked whereby to sever the longitudinal edges

3

of the stamp, after which the support may then be forced downwardly into the pack.

Thus it will be seen that there has been provided in accordance with this form of my invention a support which readily converts a soft package into a firm, flip-top box, thereby keeping the cigarettes from being crushed, and at the same time keeping them fresher and preventing loose tobacco from spilling out when the cover is closed. The support also functions to sever the revenue stamp whereby to facilitate its insertion, and the locking feature, as heretofore described, will prevent the support from inadvertently becoming separated from the pack, even when the latter is almost empty. If desired, this form of my invention may be of integral, one-piece construction whereupon the manufacture thereof will require only a simple blanking and bending operation.

Although I have disclosed a specific embodiment of my invention, the size and shape of the parts may be varied to meet different support and lighter requirements, without departing from the spirit or the scope of the invention as defined in the appended claims.

I claim:

1. A combination cigarette pack support and lighter comprising a frame having a rectangular rim with depending portions extending therefrom and adapted to be seated within a cigarette pack container to support same; said rim comprising a front rail having a slot therein; a lock hinge pivotally mounted on said rail and having an inwardly extending tooth movable through said slot when said hinge is swung to operative locking position, said tooth being adapted to penetrate the cig-

4

arette container whereby to lock the frame thereto, and a cover pivotally mounted on said rim and housing a lighter, said cover having a depending flange, said flange being positioned so as to snugly overlie at least the portion of said front rail having the lock hinge mounted thereon, when the cover is in closed position, whereby to positively maintain said hinge in locking position.

2. In the structure of claim 1, said cover flange and said rim having interengaging detent means for releasably maintaining said cover in closed position.

3. A combination cigarette pack support and lighter comprising a frame having a rectangular rim with uniplanar depending portions extending from the oppositely disposed longitudinal edges thereof, each of said portions comprising a U-shaped section, a leg extending from said section and being disposed therebelow whereby to provide an open-ended slot, and a cover pivotally mounted on said rim and housing a lighter.

4. In the combination of claim 3, said legs each having a dished tab at its outermost extremity.

References Cited in the file of this patent

UNITED STATES PATENTS

1,758,406	Ogden	May 13, 1930
2,033,184	Dion	Mar. 10, 1936
2,388,519	Bell	Nov. 6, 1945

FOREIGN PATENTS

688,945	France	May 20, 1930
1,102,378	France	May 4, 1955

5

10

15

20

25

30