

April 10, 1956

P. A. DUPUIS
CIGARETTE LIGHTER

2,741,109

Filed July 13, 1953

2 Sheets-Sheet 1

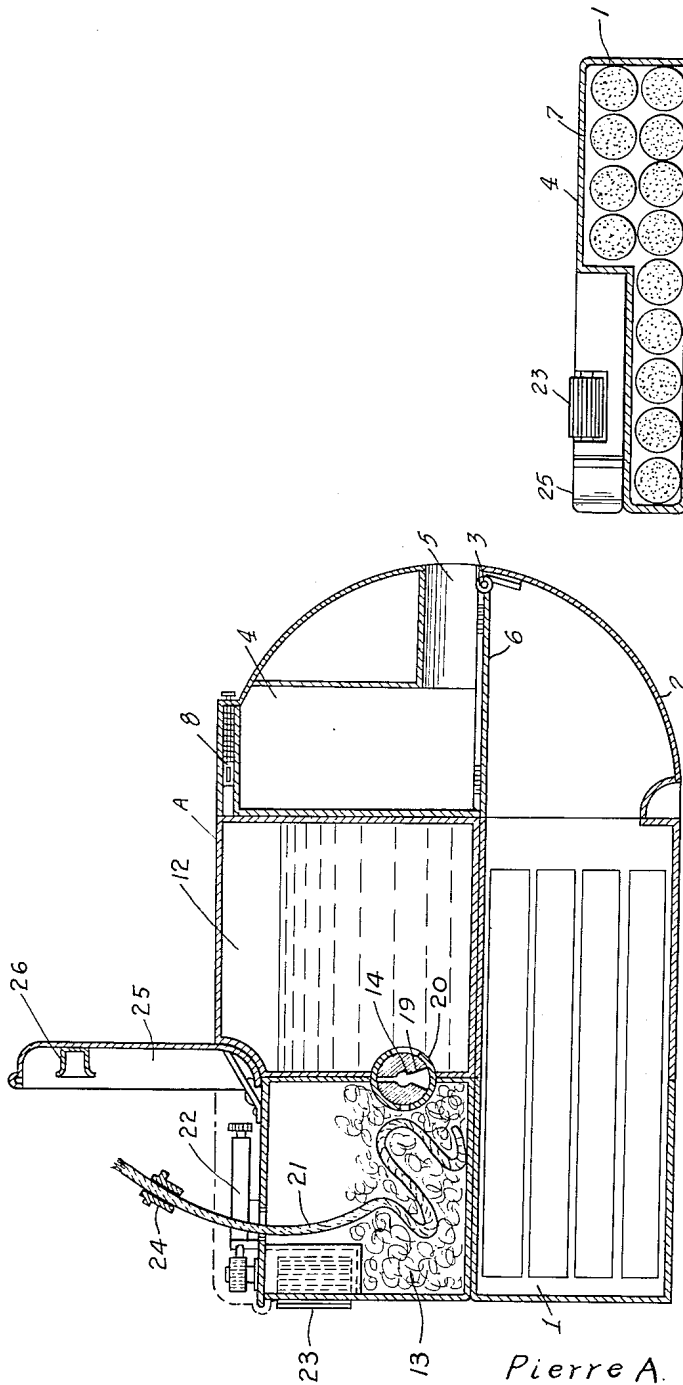


FIG. 5

FIG. 1

INVENTOR

Pierre A. Dupuis

Ralph Burch

Attorney

April 10, 1956

P. A. DUPUIS
CIGARETTE LIGHTER

2,741,109

Filed July 13, 1953

2 Sheets-Sheet 2

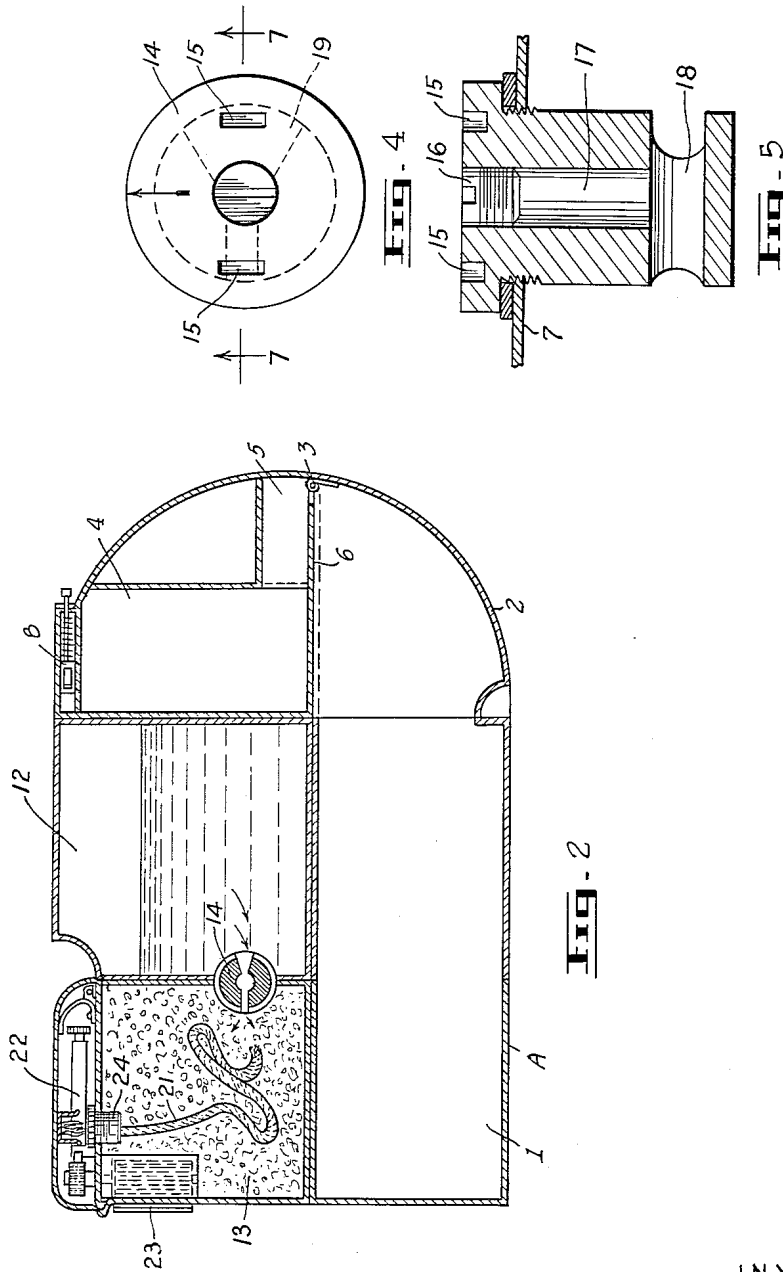


FIG. 2

FIG. 4

FIG. 5

INVENTOR

Pierre A. Dupuis

Ralph Burch

Attorney

1

2,741,109

CIGARETTE LIGHTER

Pierre Aurelien Dupuis, Iroquois Falls, Ontario, Canada

Application July 13, 1953, Serial No. 367,619

2 Claims. (Cl. 67—7.1)

This invention relates generally to a cigarette lighter, and more particularly to a smoker's combination unit, comprising a case for holding cigarettes or the like, a lighter, and an ash tray. One of the objects of this invention is the provision of a novel cigarette case, which is comparable in size to an ordinary cigarette case, but which embodies a lighting unit, and a sealable ash receptacle.

A further object of this invention is the provision of a hinged lid having a spring catch mechanism for enclosing the ash tray, or receptacle, and another hinged lid for retaining the cigarettes in their compartment.

The foregoing and other objects and advantages will appear more fully hereinafter from a consideration of the detailed description which follows, taken together with the accompanying drawings as illustrated by way of example.

Figure 1 is a sectional plan view of the unit, showing the lighter arrangement with the extinguisher lid in open position, and a lighter fluid reservoir having the valve mechanism connecting the reservoir with the wick compartment closed.

Figure 2 is a plan view similar to Fig. 1, showing the valve mechanism open, and the extinguisher closed.

Figure 3 is an end elevational view of the combination unit, partly in section, showing the arrangement of the cigarette compartment.

Figure 4 is a plan view of the valve mechanism connecting the reservoir with the wick compartment.

Figure 5 is a sectional view of the valve mechanism taken on the line 7—7 of Fig. 4.

The device illustrated in the drawings, in which similar characters of reference are used throughout the various views, comprises a combination smoker's unit designated generally by the letter A. The unit A comprises a cigarette compartment 1, having a closing means 2, hinged on the unit at 3, as shown clearly in Fig. 2, an ash tray, or receptacle 4, having a semi-circular opening 5, and which is closed by a suitable cover member, hinged on the wall 6 of the case, a spring latch mechanism 8, to latch, and release the cover. The unit also comprises a reservoir 12, containing lighting fluid, and communicating with a lighter compartment 13, through the medium of a valve 14, inserted through an aperture in the top 7 of the case A, and threadingly engaging the same. The valve 14, is provided with recesses 15, 15, for engagement by a tool for adjusting the position of the valve. The valve has a vertical central bore 17, for the reception of lighter fluid, and is provided with a threaded plug 16, at the upper end of the bore. Adjacent the lower end of the valve, a horizontal bore 18, connects the reservoir 12,

2

with the lighter compartment 13, said bore being flared at 19, for a purpose to be described. The valve 14 is rotatably fitted in a cylinder 20, said cylinder having apertures to accommodate the bore 18. By reason of the valve being flared at 19, it can be adjusted so that the reservoir may be filled without filling the lighter compartment.

The lighter compartment 13, is of the usual type, having a wick 21, a flint attachment 22, operated by a milled thumb roller 23, it will be seen that the wick is removably held in position in the case by a threaded collar 24, a cover 25, is also provided having an extinguisher 26. Referring now to Fig. 3, it will be seen that the cigarette compartment 1, extends under the reservoir, and lighter compartments 12, and 13, thus providing more space for cigarettes.

It is believed that the construction and advantages of the structure shown may be apparent from the foregoing paragraphs taken in conjunction with the accompanying drawings without further detailed description.

While the preferred embodiment of the invention has been disclosed it is understood that minor changes in the construction, combination and arrangement of cooperating parts may be resorted to within the scope of what is claimed without departing from the spirit of the invention.

I claim:

1. A lighter casing having a fluid chamber and a wick holding chamber divided by a partition wall having an opening therethrough, a cylinder fitted in the opening of said partition wall having its longitudinal axis in the same plane as said wall with one end of the cylinder extending through the wall of the casing, said cylinder having opposed openings communicating with said chambers, a rotary valve mounted in said cylinder having a transverse passage adapted to register with the openings of said cylinder and a longitudinal bore communicating with said passage and opening through the end of the valve, said transverse passage being flared at one end and means for closing said bore.

2. A lighter casing having a fluid chamber and wick holding chamber divided by a partition wall having an opening therethrough, a cylinder fitted in the opening of said wall having its longitudinal axis in the same plane as said wall, said cylinder having diametrically opposed openings communicating with said chambers, a rotary valve mounted in said cylinder having a transverse passage adapted to register with the openings of said cylinder and a longitudinal bore communicating with said transverse passage and opening through one end of said valve for introducing fluid into said chambers, said cylinder and valve extending through a wall of said casing, means in the end of the valve for rotating the same, and means for closing the open end of said bore.

References Cited in the file of this patent

UNITED STATES PATENTS

398,117	Barth	Feb. 19, 1889
1,651,177	Bowyer	Nov. 29, 1927
1,782,026	Beyer	Nov. 18, 1930
2,470,710	Mason	May 17, 1949
2,531,554	Chen	Nov. 28, 1950

FOREIGN PATENTS

603,914	Great Britain	June 25, 1948
---------	---------------	---------------