

June 1, 1954

C. C. SELETZKY  
STAND FOR POCKET LIGHTERS

2,679,740

Filed Sept. 4, 1951

FIG. 1.

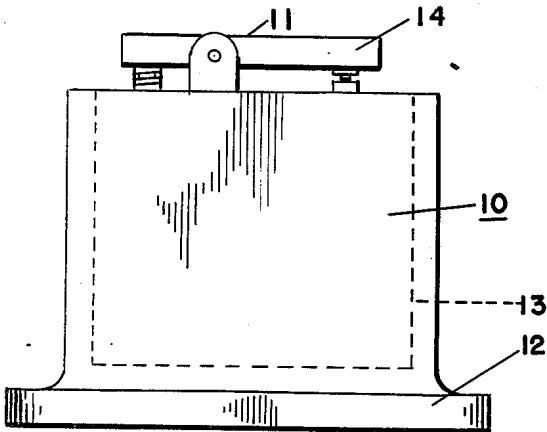


FIG. 2.

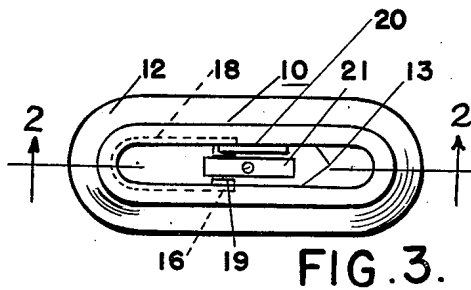
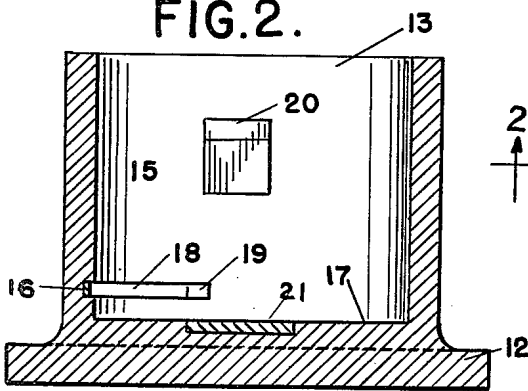


FIG. 3.

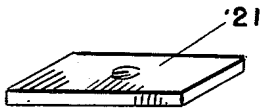


FIG. 5.

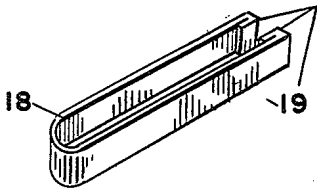


FIG. 4.

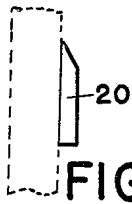


FIG. 6.

INVENTOR.  
CONSTANTIN C. SELETZKY

BY *Howard J. Whelan*  
ATTORNEY

# UNITED STATES PATENT OFFICE

2,679,740

## STAND FOR POCKET LIGHTERS

Constantin C. Seletzky, Baltimore, Md.

Application September 4, 1951, Serial No. 244,952

2 Claims. (Cl. 67-4.1)

1

2

This invention relates to mechanical lighters of the pocket type and more particularly to stands or holders for supporting them upright on a table or other horizontal flat surface.

The conventional mechanical lighter is made relatively short in width and while stable if correctly erected and set on a table, is very easily tipped over, to rest on its side. This position is inconvenient to the general user and subjects the article to a substantial amount of wear and tear. To provide a stable unit suitable for holding the lighter so it may be easily handled and at the same time keep it in a vertical position, with the lighting parts accessible for use, a special holder is provided in this invention. This holder consists of a hollow stand having a large base with flat underneath surface so it will be stable and permit placement on a table or other flat horizontal surface, with the assurance that it will remain steady and erect. It is provided with a vertical pocket designed to hold the lighter body inserted in it, yet leave sufficient access for its removal by the user. This converts a pocket lighter into a table lighter with all the usual features inherent in the latter.

The object of the invention is to provide a new and improved holder for a pocket mechanical lighter that will retain it in a vertical position on a table or other flat horizontal surface, and thereby convert the pocket lighter into a table lighter.

Another object of this invention is to provide a new and improved holder for a mechanical lighter that will be an attractive item with the purpose of holding it firmly and effectively, while at the same time affording arrangements that will permit its facile removal and use as a pocket lighter when desired.

Other objects of the invention will be apparent as it is more fully described.

For a clearer understanding of the invention and its objects reference is made to the accompanying drawings, which when used in conjunction with the following description illustrate a particular form of the invention, and with the claims connected therewith, indicating the scope of the invention.

In the drawings:

Figure 1 is a side view in elevation of a holder and lighter embodying this invention;

Figure 2 is a side elevation of the holder sectioned on line 2-2 of Figure 3;

Figure 3 is a plan view of the holder shown in Figure 1;

Figure 4 is a detail in perspective of a spring clamp used in this embodiment of the holder;

Figure 5 is a detail of the magnetic plate used in this holder; and

Figure 6 is a detail of a wall cushion used in this embodiment.

Similar reference characters refer to the similar parts throughout the drawings.

In the particular construction shown in the drawings, a holder 10 for a mechanical lighter 11 of conventional form is adapted for table use. The holder consists of a shell of non-magnetic material with a wide base 12 preferably flared out from the vertical walls 13 of the holder. Its underneath surface is flat. The holder shell is made high enough to enclose the lighter 11 up to the level of its operational parts 14 employed for actuating the lighter. It is not deemed necessary to describe such parts or their operation as they are based on structure and principles well known to the average citizen.

A pocket 15 is provided internally in the holder shell 10 with its wall surfaces arranged to fit the lighter and hold it in a vertical position. An undercut groove 16 is provided adjacent the bottom 17 of the pocket and is used to contain a flat U-spring 18 within it. The spring has its end portions 19 formed to clamp against the exterior wall surface of the lighter and exert a holding pressure thereon. The spring clamp 18 being located in the groove 16 prevents the lighter so clamped from being easily ejected from the pocket of the holder. The tension of the spring clamp 18 is designed to press its ends 19 inwardly. A relatively thin cushion 20 with a wedge-like contour and made of resilient material is fastened to the wall of the pocket and is designed to guide and wedge the lighter tightly in the holder.

At the bottom 17 of the pocket 15, a magnetic plate 21 is installed flush, and serves to magnetically hold on to a metallic filler plug used in the lighter to hold the lighter in the holder. Thus the lighter is held within the pocket 15 by three different arrangements suitable for the purpose, but not locking the lighter permanently in place. In other words the lighter while held securely for all general purposes does not prevent the ready removal of the lighter, when so desired. The lighter is often made of non-magnetic material, but for the purposes of this invention is preferably made of iron, steel or other magnetic material, which can be readily provided for.

While but one general form of the invention is shown in the drawings and described in the specification, it is not desired to limit this application for patent to this particular form as

3

it is appreciated that other forms of construction could be made that would use the same principles and come within the scope of the appended claims.

Having thus described the invention, what is claimed is:

1. As an article of manufacture, a container for a mechanical lighter, said container comprising a shell having opposite internal walls forming an internal pocket of the shape of the lighter, said pocket having an open top and a closed bottom, an enlarged stand at the bottom of the shell having a flat resting surface, a cushioning member secured to one of the internal walls of the pocket, near its open top, said member having a tapered wedge to guide the lighter slid in the aforesaid pocket to bias it against the opposite internal wall, one of the internal walls of the pocket near the bottom thereof having an internal groove, and a U-shaped spring clamp received in the groove and holding the lower end of the lighter resiliently between its legs.

4

2. An article of manufacture as set forth in claim 1, wherein the container is of non-magnetic material to receive a lighter of magnetic material, the internal bottom wall of the pocket having a groove therein, and a magnetic plate in said groove flush with the bottom wall of the pocket magnetically holding the lighter within the holder.

References Cited in the file of this patent

UNITED STATES PATENTS

Number	Name	Date
2,295,987	Boxer -----	Sept. 15, 1942
2,351,107	Charnysh -----	June 13, 1944
2,405,764	Smith -----	Aug. 13, 1946
2,430,103	Campos -----	Nov. 4, 1947
2,460,427	Musselman et al. ....	Feb. 1, 1949
2,499,623	Barnett -----	Mar. 7, 1950
2,509,251	Rogers -----	May 30, 1950
2,531,123	Guise et al. ....	Nov. 21, 1950