

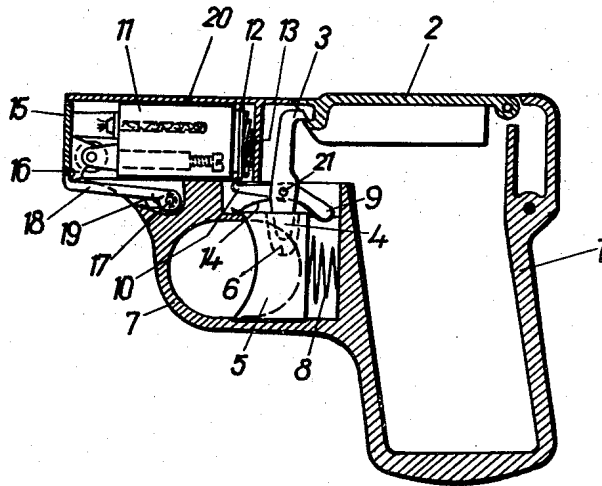
April 27, 1954

L. M. PAULY

2,676,698

PISTOL SHAPED CASE FOR CIGARETTES AND LIGHTER

Filed Aug. 29, 1950



Patented Apr. 27, 1954

2,676,698

# UNITED STATES PATENT OFFICE

2,676,698

## PISTOL SHAPED CASE FOR CIGARETTES AND LIGHTER

Ludwig Martin Pauly, Hamburg-Bergedorf,  
Germany

Application August 29, 1950, Serial No. 182,069

2 Claims. (Cl. 206—41.4)

1

The invention relates to a pistol shaped cigarette case.

It is known in cigarette cases of this type to position the lighter inside of the barrel, the barrel being connected with a mechanism to pull the lighter to the ignition place.

The known devices of this type do not comply with the requirement of rotatable operation and it is the main object to eliminate this deficiency.

Therefore, it is a main purpose of the invention to provide a pistol shaped cigarette case having a closeable space for the cigarette and being provided with means whereby its locking device may be opened and the lighter simultaneously ignited.

The invention is illustrated in the attached drawing showing a vertical section of the pistol-shaped cigarette case.

The case is provided with a hollow grip 1 forming the container for the cigarette. This container is kept closed in the non-operative position by a cover 2 which is rotatably fastened to the upper portion of the container.

The cover 2 is secured in its locked portion, which is shown in the drawing, by a hook 3 rotatably located on a pin 21 and supported in the casing; hook 3 has a lower catch member 4; the catch member extends in the closed portion of the device into a recess 6 accommodating a reciprocating trigger 5. This trigger is operatively located in a guard 7 which forms a part of the casing; the trigger is exposed to the influence of the spring 8 and displaceable by the same into its normal position.

A second rotatable catch 9 is provided; the catch extends into the operating path of the trigger 5; this catch 9 secures with its hook-shaped end 10 a friction wheel lighter 11, which is located on barrel 20 in the inoperative position. The lighter 11 is longitudinally displaceable in the barrel 20 by the action of the spring 13 located in barrel 20 and contacting the bottom of the lighter 11, as apparent from the drawing; the catch 9 is secured in the position shown in the drawing by a spring 14.

The cover 15 of the lighter 11 is held in the closure position by a catch 16 cooperating with the hooked end of bar 18 which is rotatably supported on pin 17 located in the guard portion 7 of the casing. The bar 18 is secured by a spring 19 in the locked position.

The device is operated as follows.

If the trigger 5 is pulled back against the action of spring 8 it first releases cover 2 which now may be opened. Upon continued displacement of trigger 5 the latter upwardly pushes with its upper edge the catch 9 whereby the lighter 11 is released.

2

The spring 13 shoots the lighter from the barrel 20. The lid 15 retained by bar 18 is freed and the lighter is ignited in the customary manner.

The device is retained in its locked position by returning covers 15 and 2 into their former position while loosening trigger 5, whereupon the covers are located in the closure position by the catches 9 and 3 respectively. In order to remove the lighter from the barrel 20 the hooked end of bar 18 is loosened from catch 16.

Since certain changes may be made in the above article and different embodiments of the invention could be made without departing from the scope thereof, it is intended that all matter contained in the above description or shown in the accompanying drawing shall be interpreted as illustrative and not in a limiting sense.

I claim:

1. In a pistol shaped cigarette case a container for the cigarettes having the shape of the pistol grip, a cover for said container pivotally fastened to the upper container portion, a barrel attached to said grip, a lighter displacedly located in said barrel, a reciprocating trigger attached to said case, two double arm lever catches for the actuation of said cover and for the displacement of said lighter, respectively, rotatably mounted in said case and reaching with their lower arms into the operative path of said trigger, hooks at the end of the upper lever arms securing in the inoperative state the closure of said container cover and forming a detent for said lighter, said trigger thereby adapted during its reciprocation to successively and independently release said hooks and to thereby separately open first said cover and to thereafter release said lighter for its advance from said barrel.

2. In a pistol shaped cigarette case according to claim 1 a plate shaped closure for said barrel rotatably connected with said barrel and a spring located in the inner end portion of said barrel and in the rear of said lighter to open said closure plate and to protect the lighter upon the release of said spring by said trigger.

### References Cited in the file of this patent

#### UNITED STATES PATENTS

Number	Name	Date
1,054,187	Egan	Feb. 25, 1913
1,510,331	Newmark	Sept. 30, 1924
1,845,340	Ritz-Woller	Feb. 16, 1932
1,892,450	Dominus	Dec. 27, 1932
2,419,409	Long	Apr. 22, 1947

#### FOREIGN PATENTS

Number	Country	Date
522,650	France	Apr. 4, 1921