

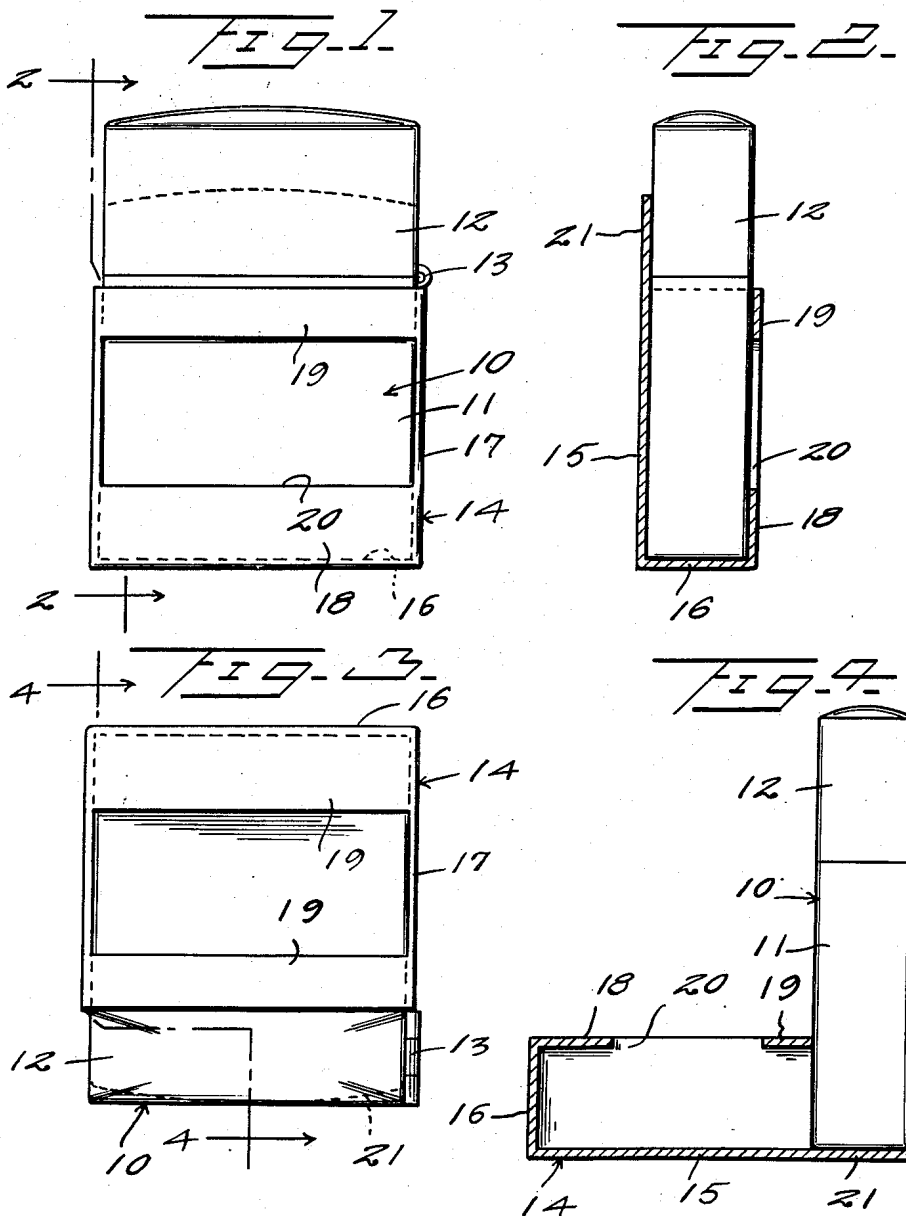
Jan. 19, 1954

J. H. HERMAN, JR

2,666,522

COMBINED CIGARETTE LIGHTER AND ASH TRAY

Filed Nov. 3, 1950



INVENTOR

J. H. Herman, Jr.

BY

Kimmel & Crowell

ATTORNEYS

UNITED STATES PATENT OFFICE

2,666,522

COMBINED CIGARETTE LIGHTER AND ASH TRAY

James H. Herman, Jr., Austin, Tex.

Application November 3, 1950, Serial No. 193,923

3 Claims. (Cl. 206—38)

1

This invention relates to a combined cigarette lighter and ash tray.

An object of this invention is to provide a small ash tray which in the inoperative position is adapted to telescope over a cigarette lighter. In the operative position of the ash tray, the tray is removed from the lighter and disposed in a horizontal position with the lighter disposed in an upright position on an extension of the tray so as to close the open end of the tray.

Another object of this invention is to provide an ash tray for use with a lighter wherein the tray extension is magnetized so as to provide for adherence of the lighter to the tray so that the latter will form a support or stand for the lighter, and the lighter will close the open end of the tray.

A further object of this invention is to provide an ash tray which when in inoperative position telescoping over the lighter will permit normal use of the lighter, and the extended portion of the tray will form a windguard for the lighter.

With the above and other objects in view, my invention consists in the arrangement, combination and details of construction disclosed in the drawing and specification, and then more particularly pointed out in the appended claims.

In the drawings:

Figure 1 is a detailed front elevation of an ash tray constructed according to an embodiment of this invention mounted in telescoping relation on a cigarette lighter.

Figure 2 is a sectional view taken on the line 2—2 of Figure 1.

Figure 3 is a plan view of the ash tray in operative position.

Figure 4 is a sectional view taken on the line 4—4 of Figure 3.

Referring to the drawing the numeral 10 designates generally a cigarette lighter embodying a housing 11 and a cap 12 which is hinged as at 13 to the housing 11. The lighter 10 is of conventional construction and is substantially rectangular in horizontal section and in plan. An ash tray generally designated as 14 is mounted in telescoping relation on the lighter 10 and embodies a bottom wall 15, an end wall 16, and opposite side walls 17. A pair of top wall members 18 and 19 are secured between the side walls 17 with the top wall member 18 extending from the end wall 16.

The spacing between the top wall members 18 and 19 indicated by the numeral 20 provides an opening through which ashes or cigarette butts are adapted to be extended. The bottom wall 15

2

includes an extension 21 which in the position thereof shown in Figures 1 and 2 extends upwardly in face abutting relation to the cap 12 and forms a wind guard to prevent wind from blowing out the light at the time the cap 12 is in raised position.

The extension 21 is preferably formed of metal which is capable of being magnetized so that the lighter housing 11 which is also formed of metal having para-magnetic material may rest on the extension or base 21 so as to thereby support the lighter 10 in upright position. As shown in Figure 4 when the lighter 10 is engaged with the magnetized extension 21 the housing 11 of the lighter closes the open upper end of the ash tray 14, and the ash tray also provides a base or standard whereby the lighter 10 will be held in upright position for use.

The lighter 10 will telescope into the ash tray 14 through the open upper end of the latter as shown in Figures 1 and 2. In the telescoping position of the ash tray the extension or base member 21 will be disposed in confronting position to a substantial portion of the cap 12 in order that when the cap 12 is raised upwardly to permit use of the lighter the extension or base member 21 will form a wind guard to prevent the light from being blown out.

When it is desired to use the ash tray for receiving ashes the tray 14 is withdrawn from the lighter 10 and may be disposed on a plane supporting surface with the bottom wall 15 lowermost. The ashes may be extended through the opening 20, and the ashes will be retained within the ash tray 14 by closing the open end of the tray 14 through engagement of the lighter 10 with the magnetized base 21.

The ash tray 14 is preferably made out of metal which is capable of at least partially being magnetized to provide for adherence of the lighter 10 with the magnetized extension 21.

What is claimed is:

1. The combination of a cigarette lighter having a base, a combined casing and ash receptacle having top, bottom and side walls, and one end wall, the other end being open, and having an opening in said top wall, said lighter being positioned in said casing through said open end and removable therefrom, a lip having substantially the same dimensions as the bottom of said lighter extending from only said bottom wall adjacent the open end of said casing a substantial distance beyond the end of said top wall in the plane of said bottom wall, said lighter being adapted to seat on said lip when removed from

3

said casing, and magnetic means for holding said lighter bottom and said lip in connected relation to hold said lighter in upright position against the open end of said casing.

2. The structure of claim 1 wherein said lip is magnetized to provide the magnetic means.

3. The structure of claim 1 wherein the magnetic means comprises a magnetic portion of the lighter bottom.

JAMES H. HERMAN, JR.

10

References Cited in the file of this patent		
UNITED STATES PATENTS		
Number	Name	Date
425,768	Ezell -----	Apr. 15, 1890
1,319,973	Simpson -----	Oct. 28, 1919
1,550,274	Miles -----	Aug. 18, 1925
1,957,261	Gaxiola -----	May 1, 1934
2,491,296	Beder -----	Dec. 13, 1949
FOREIGN PATENTS		
Number	Country	Date
811	Australia -----	Mar. 2, 1926