

March 31, 1953

P. E. NARRAGON

2,633,137

PIPE ACCESSORY

Filed July 23, 1948

Fig. 1.

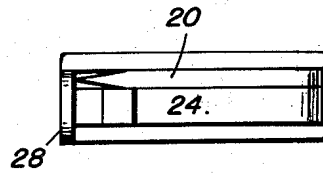
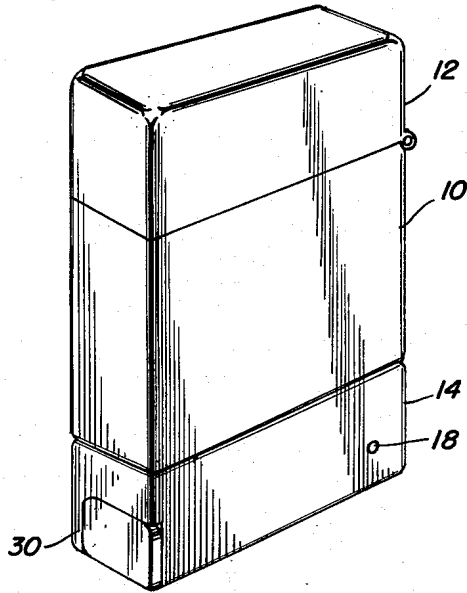


Fig. 2.

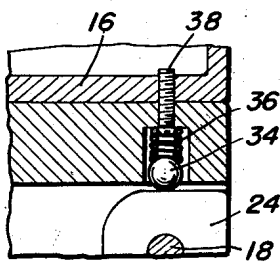
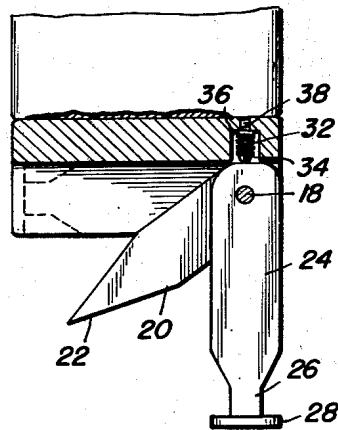


Fig. 4.

Fig. 3.



Paul E. Narragon  
INVENTOR.

BY *Almonce A. O'Brien*  
*and Harvey B. Jacobson*  
Attorneys.

## UNITED STATES PATENT OFFICE

2,633,137

## PIPE ACCESSORY

Paul E. Narragon, Fort Lauderdale, Fla.

Application July 23, 1948, Serial No. 40,317

5 Claims. (Cl. 131—243)

1

This invention relates to devices or implements for cleaning, scraping and packing pipe bowls and has for its primary object to provide a novel casing or container for the implements to facilitate their availability.

Another important object of this invention is to provide means for unitarily assembling a conventional pipe lighter and a pick and tamper, whereby the pick and tamper will serve as convenient accessories.

Another important object of this invention resides in the provision of means for mounting the pick and tamper implements in a lighter casing and also, in means for frictionally locking said implements in an open or closed position.

These and ancillary objects to become more fully apparent are attained by this invention, a preferred embodiment of which is set forth in the following specification and illustrated in the accompanying drawings, wherein:

Figure 1 is a view in perspective of a lighter casing, constructed in accordance with the principles of this invention, so that the pick and tamper are housed in the bottom portion of the casing;

Figure 2 is a bottom plan view of the casing shown in Figure 1;

Figure 3 is an enlarged sectional view through the lower portion of the casing, illustrating in elevation the pick and tamper instruments, with the same disposed in an open position; and

Figure 4 is an enlarged view of the means provided for frictionally locking the implements in an open or closed position.

In Figure 1 there is illustrated a conventional lighter 10 having a hinged top or cover member 12 which encloses the lighter assembly. A rectangular casing 14 is secured to the bottom wall of the lighter casing 16 to house the pick and tamper instruments. The rectangular extension casing 14 is formed with an open bottom wall and has a transverse pivot pin 18 disposed adjacent to one of its end walls. A pick 20 terminating in a faired point 22 is pivotally mounted on the pin 18 and, in a similar manner, a tamper 24 is mounted on the pin. The tamper 24 terminates at its free end in a reduced section 26 having a laterally extending head 28 secured thereon. An opening 30 is formed in the end wall of the casing to accommodate the head 28 when the tamper is positioned within the casing in a closed inoperative placement.

Suitable means are provided for frictionally retaining the pick and tamper blades or instruments in a closed position within the housing or

2

in an open position extended laterally of the housing. The means includes a lateral recess 32 formed in the closed end of the casing 14 vertically above the pivot pin 18. A ball detent 34 is resiliently disposed in the recess and is mounted on a spring 36, which is secured by conventional attaching means, such as a screw 38 extended upwardly through the end wall into the bottom wall 16 of the lighter casing. Of course, a pair of transversely aligned locking ball detents 34 are provided to individually engage the pick blade and tamper.

Thus, when it is desired to tamp the tobacco in the pipe after it has momentarily burned, the head 28 of the tamper can be pushed outwardly of the opening 30 and the tamper will be retained in an open position by the locking detents 34. In a similar manner, the pick 20 can be moved to an extended position for picking the unburned tobacco from the bowl of the pipe.

Thus, it is to be noted that the lighter case and the case for the pick and tamper blades are formed integral so that a unitary case is provided to enclose the lighter assembly, tamper and pick. This adds to the convenience of a pipe smoker, as it presents to him the necessary implements for smoking his pipe all disposed in a unitary compact case. The unitary assembly of the implements will render them more convenient for use, inasmuch as only one casing will have to be carried by the pipe smoker and the same will house all the essential implements.

While a preferred embodiment of this invention has been described, it is to be appreciated that other embodiments or variations can be carried out. For instance, the tamper and pick blades could be designed to open and close in a manner similar to the blade of a pocket knife. Further, it is within the purview of this invention to attach the pick and tamper case 14 to a conventional lighter without forming the two unitary at the time of manufacture. In this respect, suitable securing means of conventional description could be employed to secure the closed end wall of the case 14 to the bottom wall 16 of the lighter.

Therefore, since many variations will occur to those skilled in the art, it is to be understood that certain changes may be effected in the device, without departing from the spirit of the invention within the scope of the appended claims.

Having described the invention, what is claimed as new is:

1. A pipe accessory comprising an elongated housing having a U-shaped cross section, said

3

housing including a pair of parallel legs and a connecting web, a pin attached to said legs and extending transversely thereof adjacent one end of said housing, a pipe scraping member mounted on said pin between the legs of said housing, a pipe tamping member mounted on and pivotable about said pin between said scraping member and the adjacent leg of said housing, said tamping member having a transverse head on the end thereof remote from said pivoted end, said head overlying one end of one of said legs and forming a closure for one end of said housing when said tamping member is completely disposed between said legs in closed position, said tamping member and said scraping member being disposed in parallel and mutual coinciding relation between said legs when in closed position and said head constituting a guard for the end of the scraping member remote from the pivoted end thereof.

2. The combination of claim 1, wherein one of said legs is relatively longer than the other of said legs, said head overlying one end of the shorter of said legs and abutting the face of the longer of said legs which registers with the shorter leg, said head having the face thereof remote from said pin disposed flush with the adjacent end of the longer leg.

3. A pipe accessory comprising an elongated housing having a U-shaped cross section, said housing including a pair of parallel legs and a connecting web, a pin attached to said legs and extending transversely thereof adjacent one end of said housing, a pipe scraping member mounted on said pin between the legs of said housing, a pipe tamping member mounted on and pivotable about said pin between said scraping member and the adjacent leg of said housing, said tamping member having a transverse head on the end thereof remote from said pivoted end, said head overlying one end of one of said legs and forming a closure for one end of said housing when said tamping member is completely disposed between said legs in closed position, said tamping member and said scraping member being disposed in parallel and mutual coinciding relation between said legs when in closed position and said head constituting a guard for the end of the scraping member remote from the pivoted end thereof, said web having a bore extending therethrough in transverse alignment with said pin, said web having a counterbore on the inner face thereof axially of said bore, a headed fastener means extending through said bore for attaching said housing to a support, said headed fastener being disposed in said counterbore and a spring disposed in said counterbore between said detent and the head of said fastener for yielding by urging said detent into engagement with one of said members, the head of said fas-

4

tener being embraced by one end of said spring and constituting a positioning element therefore.

4. A tobacco tamping accessory comprising an elongated housing having a U-shaped cross-section, said housing including a pair of parallel legs and a connecting web, a pin attached to said legs and extending transversely thereof adjacent one end of said housing, a pipe tamping member mounted on said pin between the legs of said housing, the lower edge of said tamping member being disposed coplanar with the lower edge of said legs when said tamping member is completely disposed therebetween, said tamping member having a transverse head on the end thereof remote from said pin, said head overlying one end of one of said legs when said tamping member is disposed between said legs whereby said head constitutes a closure for one end of said housing.

5. A tobacco tamping accessory comprising an elongated housing having a U-shaped cross-section, said housing including a pair of parallel legs and a connecting web, a pin attached to said legs and extending transversely thereof adjacent one end of said housing, a pipe tamping member mounted on said pin between the legs of said housing, the lower edge of said tamping member being disposed coplanar with the lower edge of said legs when said tamping member is completely disposed therebetween, said web having a transverse bore therein, said web having a counterbore opening between said legs in axial alignment with said bore, a headed fastener extending through said bore for securing said housing to a support, a detent disposed in said counter-bore and spring means disposed between said detent and the head of said fastener yieldingly urging the detent into engagement with said tamping member, the head of said fastener being embraced by one end of said spring means and constituting a positioning element therefore.

PAUL E. NARRAGON.

## REFERENCES CITED

The following references are of record in the file of this patent:

## UNITED STATES PATENTS

Number	Name	Date
1,341,295	Burtis	May 25, 1920
1,444,748	Madsen	Feb. 6, 1923
1,530,348	Blom	Mar. 17, 1925

## FOREIGN PATENTS

Number	Country	Date
94,071	Switzerland	Apr. 9, 1921
335,077	Great Britain	Sept. 18, 1930
592,451	Great Britain	Sept. 18, 1947