

March 3, 1953

R. S. EGGLESTON

2,629,999

PIPE LIGHTING ATTACHMENT FOR LIGHTERS

Filed June 3, 1950

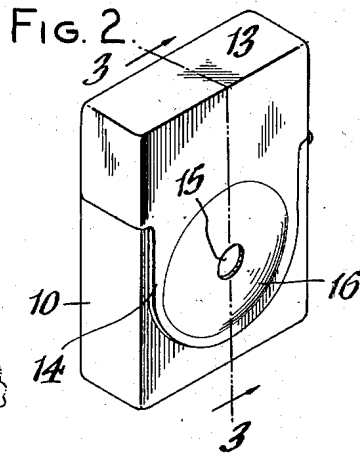
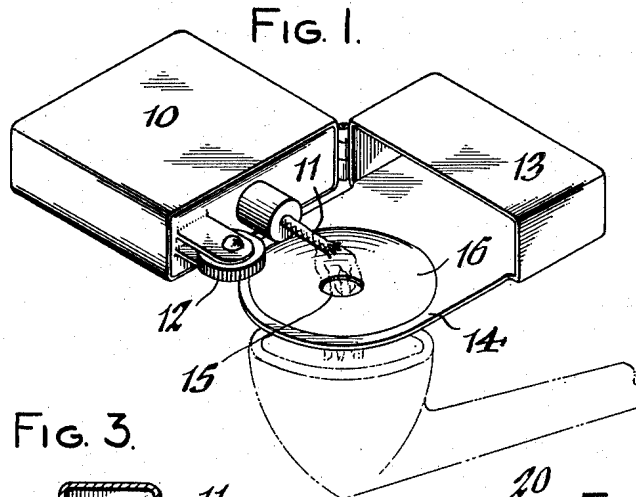


FIG. 3.

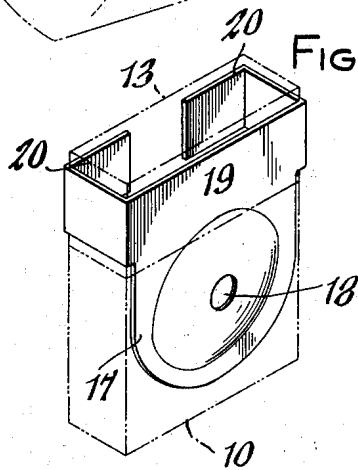
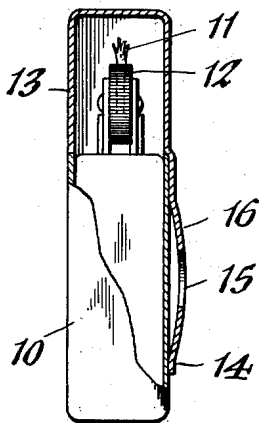


FIG. 5.

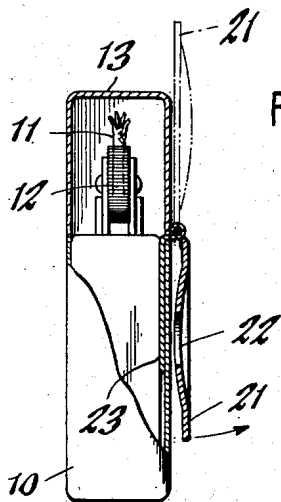
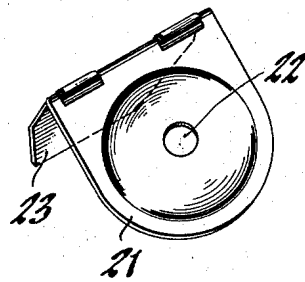
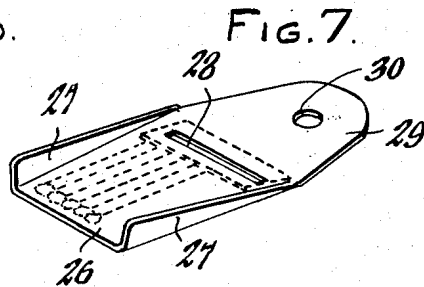


FIG. 6.



INVENTOR

Russell S. Eggleston

By William P. Geyer

ATTORNEY

UNITED STATES PATENT OFFICE

2,629,999

PIPE LIGHTING ATTACHMENT FOR LIGHTERS

Russell S. Eggleston, Buffalo, N. Y.

Application June 3, 1950, Serial No. 165,924

2 Claims. (Cl. 67—7.1)

1

This invention relates generally to lighters or igniters of the type used for lighting cigars and cigarettes but more particularly to an attachment therefor or a device for use in conjunction therewith for facilitating the lighting of smoking pipes.

It has for one of its objects to provide a device or attachment of this character which is so designed and constructed as to not only adapt the lighter to facilitating the lighting of a pipe but which concentrates the flame in a manner to create a jet-like flame to effectually light the pipe in a minimum period of time.

Another object of the invention is to provide a pipe-lighting attachment which is simple and inexpensive in construction and which can be made a permanent part of the lighter or as separate attachment therefor.

Other features of the invention reside in the construction and arrangement of parts hereinafter described and particularly pointed out in the appended claims.

In the accompanying drawings:

Figure 1 is a perspective view of a lighter showing one embodiment of my invention in its operative position for lighting a pipe. Figure 2 is a perspective view of the same in its normal, non-used position. Figure 3 is an enlarged vertical section taken on line 3—3, Figure 2. Figure 4 is a perspective of a modification of the device for detachable connection to the cover of the lighter. Figure 5 is a perspective view of another embodiment of my invention for detachable connection to the body of a lighter. Figure 6 is a vertical section showing the manner of detachably mounting the device of Figure 5 on a lighter. Figure 7 is a perspective view of a modification of the invention designed for use with a match packet.

Similar characters of reference indicate corresponding parts throughout the several views.

In the embodiment of my invention shown in Figures 1-3 inclusive, I have shown my pipe-lighting device applied to a lighter of well known construction, wherein 10 indicates the body or casing of the lighter containing the usual fuel tank or compartment including a wick 11 and having a spark-creating abrasive wheel 12 adjacent thereto, and 13 indicates a cover hinged to the body to normally conceal the wick and the wheel. Applied to and depending from one of the side walls of the lighter-cover to normally overlie the companion side wall of the lighter body in its cover-closed position is a pipe-lighting member 14 which is in the form of a plate or shield and of a size to overlie the bowl of a smok-

2

ing pipe in its operative position, shown in Figure 1, and contains an aperture 15. Upon opening the cover 13 of the lighter for use, this shield assumes a position extending beyond the open end of the lighter-body 10 with its aperture 15 disposed in operative relation to the flame issuing from the wick 11. In use, the lighter is held horizontally with the apertured shield over the top of the pipe bowl, so that when the user draws on the pipe the wick-flame is drawn in jet-like fashion through the aperture 15 to effectually light the tobacco in a deep-seating manner. By preference, the shield is slightly dished, as indicated at 16, to retain the tobacco in the bowl and create a seal during the lighting operation.

Instead of making the pipe-lighting device an integral part of the lighter it may be detachably mounted on the lighter-cover, as shown in Figure 4. In this form the shield 17 having the aperture 18 terminates at its upper end in an attaching member or band 19 including opposing clamping ears 20 which embrace the walls of the cover of the lighter to frictionally retain the device thereon for use.

In the modified form of the invention shown in Figures 5 and 6, the pipe-lighting device is in the form of an attachment which may be readily detachably-joined to the casing of well known types of existing lighters. For this purpose the bowl-engaging shield 21 has an aperture 22 therein and hingedly connected to this shield is a supporting member 23 adapted to be inserted and frictionally retained in the upper end of the lighter between the front wall of its body or casing 24 and the adjoining wall of the telescoping fuel compartment 25, with the hinge joint substantially paralleling the top edge of such casing-wall. Normally the lighting shield overlies the front wall of the casing and in use is swung to a reversely-facing position in relation to the lighter to bring its aperture 22 in jet-forming relation to the lighter-wick, as shown in Figure 6.

The modification shown in Figure 7 is adapted for use with a packet of matches and consists of a flat body 26 having side flanges 27 between which such packet is releasably retained, the back wall of the latter being adapted to extend through a transverse slot 28 formed in such body. Forwardly of the slot the body has a pipe-engaging portion 29 containing a match flame aperture 30.

I claim as my invention:

1. In a lighter, a casing having a wick, a cover therefor, and a pipe lighting member applied to said cover to swing therewith and including an apertured plate in pending relation to one of the

3

cover-walls to overlie the casing in the closed position of the cover and to assume a position extending beyond the wick end of said casing in the open position of said cover and with its aperture in operative flame relation to the wick.

2. In a lighter, relatively movable body and cover members disposed in hinged relation, the body member having a wick projecting therefrom, and an apertured plate for use in lighting a pipe applied to one of said members in overlying relation to one face of the lighter in its closed position and adapted, in the open position of the lighter, to assume a paralleling projected operative position over the pipe bowl and beneath and in parallel spaced relation to the wick with its aperture in flame relation thereto.

RUSSELL S. EGGLESTON.

4

REFERENCES CITED

The following references are of record in the file of this patent:

UNITED STATES PATENTS

Number	Name	Date
1,720,460	Ament -----	July 9, 1929
2,543,798	Paige -----	Mar. 6, 1951

FOREIGN PATENTS

Number	Country	Date
347,209	Germany -----	Jan. 16, 1922
499,938	France -----	Dec. 2, 1919
946,107	France -----	Dec. 6, 1948