

July 29, 1952

P. CIBIE

2,604,982

COMBINED CIGARETTE CASE AND LIGHTER

Filed Aug. 5, 1948

FIG. 1.

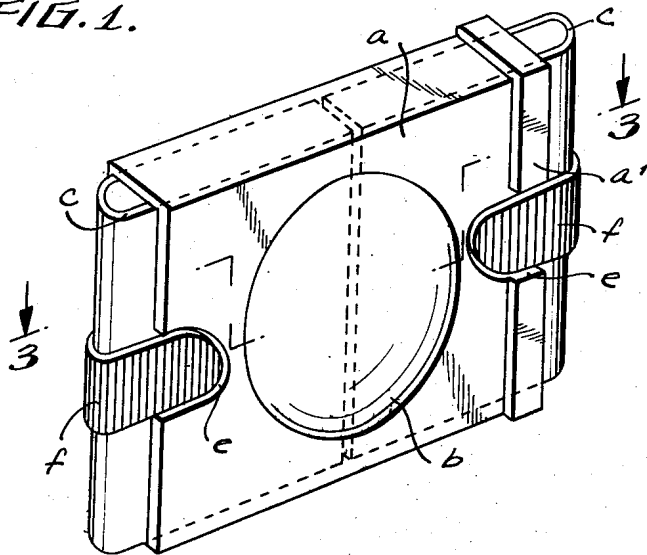


FIG. 3.

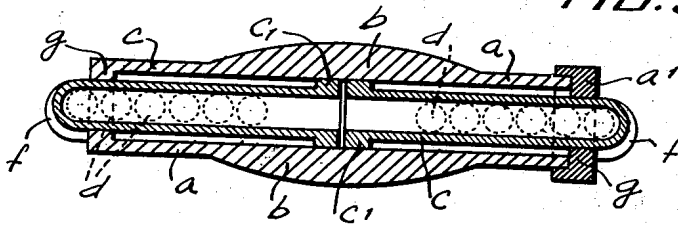
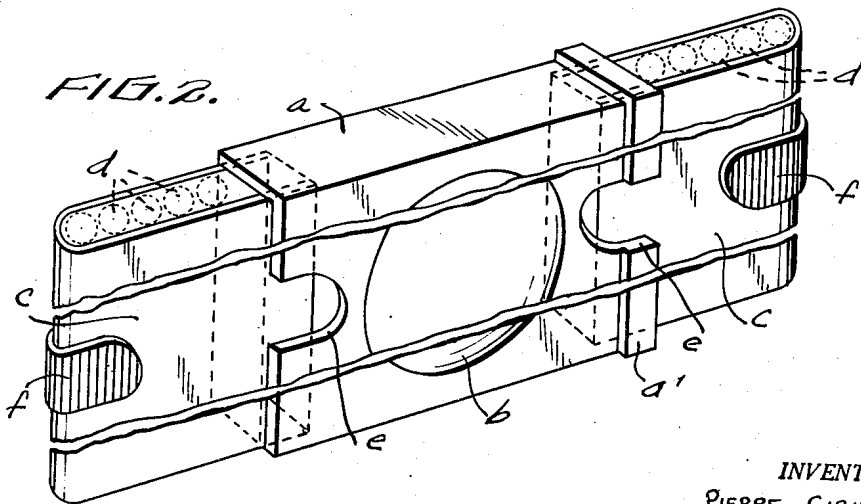


FIG. 2.



INVENTOR.

PIERRE CIBIE

BY

Patented July 29, 1952

2,604,982

# UNITED STATES PATENT OFFICE

2,604,982

## COMBINED CIGARETTE CASE AND LIGHTER

Pierre Cibié, Paris, France

Application August 5, 1948, Serial No. 42,573  
In France February 3, 1948

2 Claims. (Cl. 206-41.4)

1

An object of the invention is to effect improvements in cigarette cases and cigarette lighters combined of the type described in my U. S. A. patent application No. 694,588 of September 3, 1946, now abandoned, comprising in the opposite parallel large faces of the case a lens system allowing a direct lighting of the cigarette by a concentration of the sun rays.

The purpose of these improvements is to make the device less bulky, more practical and more aesthetic at the same time. They consist essentially in housing the cigarettes in a single row in two opposite drawers sliding within the body of the case and suitably maintained in the latter by means of suitable stops. A device allowing a convenient hold for fingers may preferably be provided on each drawer so that the drawers may be operated easily.

The body of the case is made of a transparent material such as Plexiglas or, more advantageously of a material with a base of synthetic resin such as polystyrene or the like making it possible to obtain this body directly by moulding, for instance by injection. The drawers may be made of the same material, but, preferably suitably colored with a view to improving the esthetical aspect of the device.

The appended drawing shows, by way of example, a type of embodiment of the improved cigarette case and lighter which is an object of the present invention.

Figure 1 of this drawing is a perspective view of the device, the drawers containing the cigarettes being shown closed.

Figure 2 is a similar view showing the drawers open.

Figure 3 is a longitudinal section along the broken line 3-3 of Figure 1.

As can be seen on this drawing, the device comprises a prismatic body case *a*, comprising, on its two large opposite faces, planoconvex lenses *b*. This body *a* is made of a transparent material such as Plexiglas, polystyrene or the like ensuring good optical qualities for the lenses.

Within this body *a* can slide two lateral drawers *c*, closed at their bases by a bottom part and open at their upper portion as can be seen on Figure 2. These drawers comprise, at their inner ends, increased thicknesses *c*<sup>1</sup> (see Figure 3) forming stops which, when the drawer is completely pulled out are stopped by stops *g* formed on the inner face of the rims of the apertures of the body *a*, so as to avoid a complete removal of the drawer. The cigarettes *d* are housed in these drawers *c*, in a single row.

2

To allow the easy introduction of the drawers in the body, one of the bottoms *a*<sup>1</sup> of this body consists of a put-on part which is placed in position and joined to the body by cementing only after the introduction of the drawers.

The drawers *c* which may comprise any recesses or other arrangements useful for lining the cigarettes *d* in a single row will also be manufactured out of moulded material which may be the same as that of the body but which for an esthetical purpose, may conveniently be colored.

The drawers comprise, in the middle of their rounded outer edge a projecting part *f*, forming a finger piece suitably striated, knurled or worked which will allow an easy hold with the fingers for the working of the drawer. Recesses *e*, provided in the edges of the apertures of the body *a* allow the housing of these projecting parts *f* when the drawers are pushed home inside the body *a*.

To use the device, one of the drawers is pulled out by an amount equal to the thickness of a cigarette in such a manner that the latter will come out by itself by a simple tipping or placing upside down of the case. For lighting the cigarette drawn from the case, the two drawers *c* are pulled sideways so as to completely disengage the lens system from the body and it will then only be necessary to bring the end of the cigarette to be lit at the focus of the optical system to cause its ignition by the concentration of the sun rays collected by the lenses.

It will be understood that when the drawers are back into the body, the case, which contains a single row of cigarettes offers a relatively small thickness which allows an easy placing in the pocket.

It will be obvious that details of embodiment which have been described and represented have been given only by way of nonlimitative examples of embodiment of the invention. Particularly the devices for catching hold of the drawers (*f*) and their receiving notches (*e*) can be replaced by any other device fulfilling the same purpose and allowing an easy hold and working of the drawers; these devices for catching hold could also be made into closing clasps.

The double lens system (*b*) provided on the opposite large faces of the case could also be replaced by a suitable optical system provided only on one of these opposite main faces. Further, the lenses provided on one of both the main faces of the case could be distant from these faces and brought on the latter the body then

3

being made of a material, transparent or not, other than that of the lenses.

Finally the drawers themselves can be made of the same material as the body, colored or not, or of any other material, transparent, translucent or not.

What I claim is:

1. A cigarette case, including a generally prismatic box which has two major parallel sides and is open at two opposite ends; a pair of corresponding optical lenses individually formed in the intermediate portions of the major parallel sides of the box and disposed in effective positions to allow rays of light to pass through both lenses and focus exteriorly of said box; a pair of opposed drawers slidably disposed in the two opposite ends of said box with the inner ends thereof visible through the intermediate portions of said major sides when the drawers are fully inserted into said box with the inner ends thereof mutually adjacent, each drawer having an open upper end and adapted to receive a row of upstanding cigarettes side by side therein; and means for guiding and limiting said drawers to predetermined ranges of sliding movement into and outwardly from said box.

2. A cigarette case including a generally prismatic box of transparent material having two major parallel sides and two opposite ends thereof open; a pair of corresponding optical lenses individually formed in the intermediate portions of the major parallel sides of the box and dis-

4

posed in effective positions to allow rays of light to pass through both lenses and focus exteriorly of said box; a pair of opposed drawers slidably disposed in the two opposite ends of said box with the inner ends thereof visible through the intermediate portions of said major sides when the drawers are fully inserted into said box with the inner ends thereof mutually adjacent, each drawer having an open upper end and adapted to receive a row of upstanding cigarettes side by side therein; and means for guiding and limiting said drawers to predetermined ranges of sliding movement into and outwardly from said box.

PIERRE CIBIÉ.

#### REFERENCES CITED

The following references are of record in the file of this patent:

#### UNITED STATES PATENTS

Number	Name	Date
1,399,313	Newell	Dec. 6, 1921

#### FOREIGN PATENTS

Number	Country	Date
192,226	Canada	Aug. 19, 1919
314,672	Germany	Apr. 16, 1918
387,917	France	July 28, 1908
526,406	Great Britain	Sept. 17, 1940
560,633	Germany	Oct. 4, 1932
750,000	France	Aug. 2, 1933