

Feb. 12, 1952

L. A. ALLEN

2,585,071

CIGARETTE LIGHTER

Filed Jan. 15, 1948

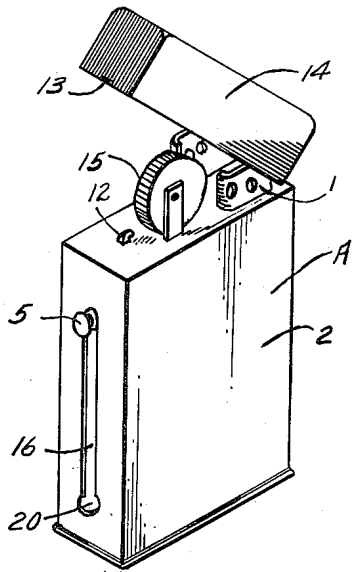


Fig-1

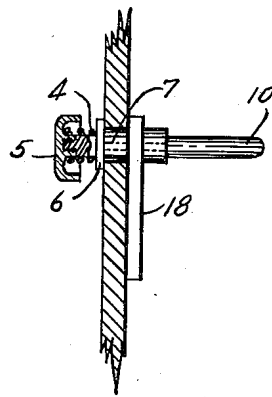


Fig-3

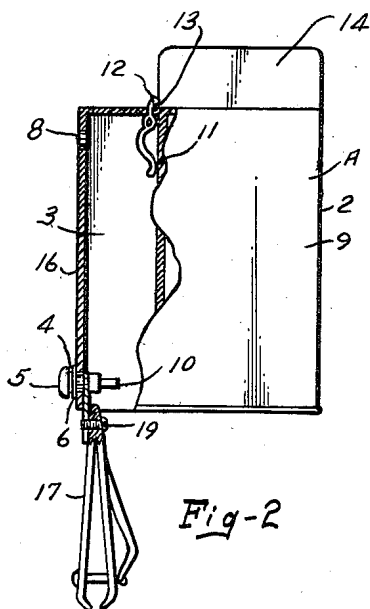


Fig-2

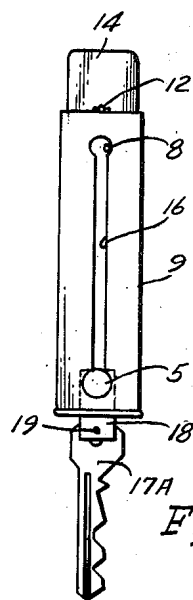


Fig-4

INVENTOR.
LAWRENCE A. ALLEN

BY

David H. Eckrood.
Attorney

Patented Feb. 12, 1952

2,585,071

UNITED STATES PATENT OFFICE

2,585,071

CIGARETTE LIGHTER

Lawrence A. Allen, Cleveland, Ohio

Application January 15, 1948, Serial No. 2,441

1 Claim. (Cl. 67-7.1)

1

My invention relates to a new improvement and design in a combined cigarette lighter and accessory container.

An object of this invention is to provide a device comprising a conventional type of a cigarette lighter case with a lighter fluid compartment and an adjoining compartment for holding any one of many desired accessories for personal, or other, uses.

Another object of this invention is to provide a device comprising a cigarette lighter case, such as is in general use, having a lighter fluid compartment and an adjoining compartment for holding a desired accessory, or accessories, with means for releasing such accessory, or accessories, of personal use.

Other objects and uses attainable by the use of this invention will become apparent from a reading and a reference to the description and accompanying drawings, in which:

Fig. 1 is a perspective view of the complete invention in one style of case.

Fig. 2 is an elevation side view, partly sectional, of the invention in a style of case, different from that in Fig. 1, and one kind of an accessory exposed.

Fig. 3 is a cross-sectional edge view of a segment of the case showing the button used in exposing the accessory, or accessories.

Fig. 4 is an elevation end view of the invention or device with an accessory, a key, exposed.

Referring more in detail to the drawings: A is a type of cigarette case in general use. 2 is the part of the case in which the lighter fluid is contained and 3 is the accessory part of the device. 4 is a compression spring disposed between the button 5 and the washer 6 so that when 5 is pressed inwardly, it exposes the lighter and then moved downward in the slot 16 to the circular opening 20, for the purpose of exposing the accessory, in the compartment 3 for use—the spring 4 retaining 5 in such circular opening 6 until the button is again pressed inwardly and moved upward in slot 16 into the circular opening 3, where it is likewise retained by means of the spring 4. 9 refers to the one side of the case A. 10 is a rod attached on the exterior end surface of the case. 11 is a spring attached to 12, a catch for holding the lid 14 in a closed position by means of 13. 14 is the lid of the case A. 15 is a "burred" disk for operating the "lighter" mechanism of the device. 16 is an open slot extending lengthwise, or vertical, in the end of the case A. 17 is an exposed accessory attached to the vertical movable rod 18 by means of set screw 19. The vertical rod 18 being attached on the short horizontal rod 10 and movable up and down by 5 as previously described. 17A is another accessory in the form of a key that may be attached to 18 in place of 17.

While the foregoing description of the invention will readily reveal the operation of the device, I desire to give a brief explanation of the manner of operation and use of the device as fol-

2

lows: The device serves two distinct purposes and uses, namely, provides a reliable lighter for cigarettes, etc., and a convenient container for articles for personal use with means for easily and quickly exposing such lighter for use and releasing such articles from the container when use of same is desired. The "lighter" part of the device becomes available by pressing the button 5 inwardly which releases the spring 12 which in turn releases and opens the lid 14 and thus operating the lighter. The accessory in the container part is released from such part by pressing in 5 and then moving 5 downward at the same time, to the circular opening in the bottom of the slot 16, such action projects, or exposes, the accessory, attached to the rod 18, below the case A as shown and described. Such accessory can then be retracted into the container part by reversing the movement of 5.

I have shown a desired design and structure for my invention, yet I do not desire to be limited to same as adaptations of the device may require modifications in structure and design without departing from the basic features, or spirit, of the invention.

What I claim is:

In a cigarette lighter in combination with a standard "lighter" mechanism with means for operating same inclosed within a portion of a rectangular case, a compartment occupying all the length and part of the width not occupied by said "lighter" mechanism in said case, a vertical slot in the wall of the case furthest from said "lighter" mechanism and positioned parallel to the length of said compartment, circular apertures at both ends of said slot, a button mechanism operating by depressing same to open the top or lid for said "lighter" mechanism and an attachment of an accessory, such as a key, within said compartment, the said button mechanism further operating to expose the said attached accessory by the sliding of such mechanism downward in said slot to a position in the opposite aperture, and the said accessory being withheld for use in said exposed position outside of said compartment.

LAWRENCE A. ALLEN.

REFERENCES CITED

The following references are of record in the file of this patent:

UNITED STATES PATENTS

Number	Name	Date
1,353,334	Geslani	Sept. 21, 1920
1,785,187	Torre	Dec. 16, 1930
1,906,945	Arvidsson	May 2, 1933
1,925,933	Py	Sept. 5, 1933
1,972,879	Flintermann	Sept. 11, 1934

FOREIGN PATENTS

Number	Country	Date
561,260	France	Aug. 1, 1923
689,777	France	June 2, 1930
742,426	France	Dec. 27, 1932