

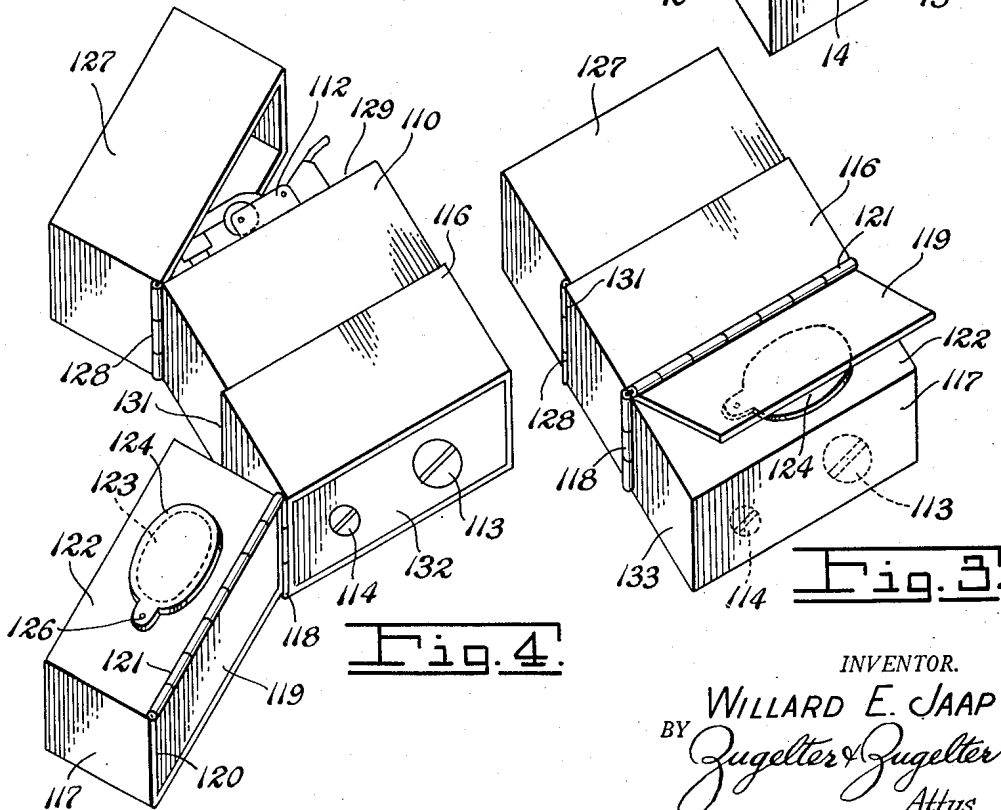
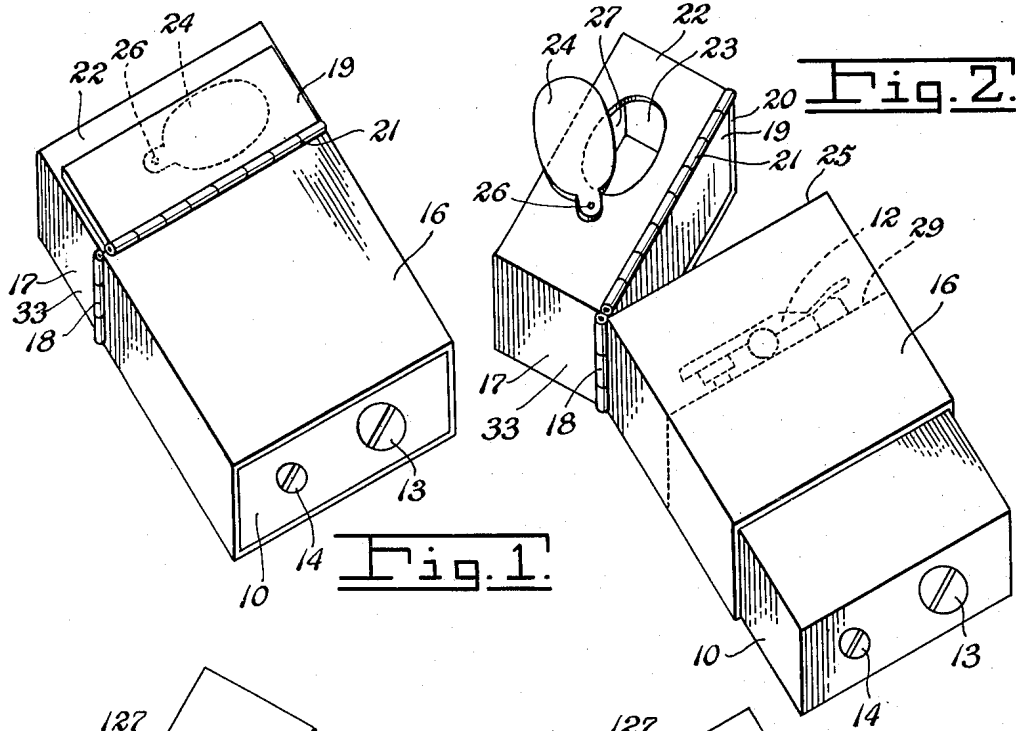
Oct. 30, 1951

W. E. JAAP

2,572,863

COMBINED CIGARETTE LIGHTER AND ASH RECEIVER

Filed April 28, 1948



INVENTOR.
WILLARD E. JAAP
BY *Jugelter & Jugelter*
Attys.

UNITED STATES PATENT OFFICE

2,572,863

COMBINED CIGARETTE LIGHTER AND ASH RECEIVER

Willard E. Jaap, Cincinnati, Ohio

Application April 28, 1948, Serial No. 23,701

3 Claims. (Cl. 206—38)

1

This invention relates to an ash receiver and more particularly relates to an ash receiver which may be attached to a lighter, cigarette case, or the like.

An object of this invention is to provide an ash receiver which may be attached to a lighter or cigarette case to be convenient and handy for use.

A further object of this invention is to provide an ash receiver which may telescope about a portion of a lighter or cigarette case when not in use so that when the ash receiver is not in use it does not add substantial bulk to the lighter or cigarette case.

A further object of this invention is to provide an ash receiver which may be combined with a lighter or cigarette case without destroying the portability thereof.

A further object of this invention is to provide a leak-proof ash receiver for use with lighters, cigarette cases, and the like, which can be carried in a pocket when filled with refuse.

A further object of this invention is to provide an ash receiver which is of simple construction and which may be manufactured economically.

A further object of this invention is to provide an ash receiver which may be attached to a lighter or the like without need for major change from standard design.

A further object of this invention is to provide an ash receiver which may be cleaned readily and from which butts can easily be removed.

The above and other objects may be attained by the means described herein and disclosed in the accompanying drawing, in which:

Figure 1 is a perspective view of an ash receiver or receptacle constructed in accordance with this invention, the ash receptacle being shown in retracted position upon a lighter.

Figure 2 is a perspective view of the ash receptacle shown in Figure 1, the ash receiver being shown in extended position upon the lighter and ready for use.

Figure 3 is a perspective view of another ash receptacle constructed in accordance with this invention, the receptacle being shown in retracted position upon a lighter.

Figure 4 is a perspective view of the ash receptacle shown in Figure 3, the ash receptacle being shown in extended position.

Briefly, the ash receptacle may include means slidable along a case of a lighter or a cigarette case such as a sleeve which can fit about and slide over the case. An edge of a hollow, box-like receiver may be hinged along an edge of the sleeve.

2

A side of the receiver may be open, and the receiver may be of approximately the same cross-section as the sleeve so that the receiver may be swung about the hinge into registry with the sleeve with the open side of the receiver facing the sleeve. If desired, both the sleeve and the receiver may be slid or telescoped over the lighter or cigarette case. A lid for the receiver may be provided which is hinged along an edge of the open side by a second hinge. The lid may be swung about the second hinge when the receiver and sleeve are extended to close the open side of the receiver. An ash receiving opening may be provided on a side of the receiver to have a tight closure such as a pivoted, hinged, or sliding panel or the like. When the receiver is empty, the lid may be swung back, and both the sleeve and the receiver may be slid over the lighter or cigarette case. In retracted position, the ash receiver adds practically no bulk to the lighter or cigarette case. When in extended position, the receiver forms a convenient and handy container for refuse, and the refuse may be retained in the receiver as long as necessary. The receiver may be emptied readily by swinging the lid away from the receiver.

Referring now to the drawing and to Figures 1 and 2, a case or fuel tank of a lighter having substantially a rectangular transverse cross-section is indicated at 10. The lighter includes an appropriate flame producing device 12 and filler and flint insertion plugs 13 and 14, respectively. A sleeve 16 of rectangular cross-section fits about the case 10 and is slidable over the case lengthwise thereof. The sleeve 16, as shown, may be of approximately the length of the case 10.

An edge of a receiver 17 may be hinged to a free edge of the sleeve 16 by a hinge 18. The receiver, as shown, may be shaped like a box having an open side 20, which can face the lighter and sleeve 16, and may be closed on other sides. The open side 20 may be closed with a lid or door type covering 19. The lid 19 is hinged along an edge of the open side 20 at a hinge 21. Preferably the hinge 21, as shown, is along a lengthwise side 22 of the receiver, and the hinge 21 may run the entire length of the side 22. The hinge 18 may be on a short side 33 of the receiver and along the open side 20 so that the hinges 18 and 21 are along adjacent edges of the open side 20 of the receiver. The hinge 21 may be constructed with sufficient internal friction to hold the lid 19 in place to close the open side 20 of the receiver, as shown in Figure 2. An ash receiving opening 23 may be provided in the side

3

22. As shown, the opening 23 may be closed by a rotatable cover 24 on the outside of the side 22 which rotates about a pin 26. However, as will be apparent, the opening may be located in other sides of the receiver, and various types of closures may be substituted for the rotating cover 24.

In operation, when the receiver 17 is not in use, the lid 19 may be rotated to lie along the side 22 of the receiver, as shown in Figure 1. In this position, the receiver 17 forms a top of the lighter and may be swung back about the hinge 18 to reveal the flame producing device 12. When it is desired to use the receiver 17 for ashes or other refuse, the receiver may be swung back about the hinge 18, and the lid 19 may be swung about the hinge 21 into the position shown in Figure 2 to cover the open side 20 of the receiver 17. The lid 19 may be held in position by friction or by spring tension in the hinge 21 in accordance with common practice, or appropriate catches or the like may be provided to hold the lid 19. Then, the cover 24 may be rotated about the pin 26 to reveal the opening 23 for use in inserting ashes or other refuse in the receiver 17. The sleeve 16 may be slid telescopically along the case 10 so that the end 20 of the receiver 17 may be swung about the hinge 18 into registry with an open end 25 of the sleeve 16 when in use, without interfering with the flame producing device 12. When the receiver is to be emptied, it can be swung away from the open end 25 of the sleeve 16 about the hinge 18, and the lid 19 may be swung away from the open side 20 of the receiver 17 and about the hinge 21 for ready emptying. The lid 19, if desired, may be of a size to fit within the receiver 17 so that, when the lid 19 is in position to close the open side 20 of the receiver 17, the receiver may be swung into registry with the sleeve 16, thereby to form a compact, convenient unit which is readily portable. The lid 19 may, as shown, overlie the side 22 on the outside thereof, or it may be swung internally of the receiver to rest against the inside face of the side 22 when the receiver is not in use.

The receiver 17 is preferably constructed as shown of a depth at least as great as its width so that the lid 19 does not extend beyond an outer end 27 of the receiver 17. When the receiver is not in use for holding ashes or other refuse, the lid 19 may be swung against the side 22 and the sleeve 16 may be slid along the case into the position shown in Figure 1 in which the hinges 18 and 21 are approximately in line with an upper end 29 of the case 10. Then the receiver 17 is in position to act as a cover for the flame producing device 12 and may be swung back about the hinge 18 to reveal the device 12.

In Figures 3 and 4 is shown a modified form of device including an ash receptacle applied in accordance with this invention. The fuel tank or case of a lighter is indicated at 110. The lighter includes an appropriate flame producing device 112 and filler and flint insertion plugs 113 and 114, respectively. A sleeve 116 of rectangular cross-section fits about the fuel tank 110 and may be slidable over the fuel tank. The sleeve 116 need not be as long as the fuel tank, and, as shown, is about one-half the length of the fuel tank. An edge of a receiver 117 may be hinged to a free end of the sleeve 116 by a hinge 118. The receiver 117 may be constructed in a manner similar to the receiver 17. A lid 119 may turn about a hinge 121 to close an open side 120 of the receiver 117 which can face the sleeve 116 and the fuel tank 110. The hinge 121 may be along

4

the long side 122 of the receiver 117, while the hinge 118 may be along a short side 133, the hinges 118 and 121 being along adjacent edges of the open side 120. An ash receiving opening 123 may be provided in the side 122, and, as shown, the opening 123 may be closed by a cover 124 on the outside of the side 122 which rotates about a pin 126, or is otherwise displaceable.

The ash receiving device shown in Figures 3 and 4 differs from that shown in Figures 1 and 2 in that the receiver portion 117 is slidable over the lower end of the lighter, after displacement of the lid 119 to the outside or the inside of the wall 122, and does not cover the flame producing device 112. If desired, a cover 127 may be provided for the flame producing device 112, which cover 127 may be hinged to the lighter by a hinge 128. If, on the other hand, the flame producing device 112 is of a type which does not require a cover, the cover 127 and the hinge 128 may be omitted. As shown, the cover 127 may be of the same cross-section as the fuel tank 110 to register with an upper peripheral edge 129 of the fuel tank 110 to cover the flame producing device 112 when closed. The combined length of the sleeve 116 and the receiver 117 may, as shown, be substantially the length of the case or fuel tank 110 so that the tank 110 is covered thereby when in retracted position, and an inner edge 131 of the sleeve 116 may rest against the hinge 128. However, the sleeve 116 and receiver 117 may be shorter if desired.

As shown, the lower portion of the fuel tank 110 may be closed by a bottom panel 132, but, if desired, the lower portion of the fuel tank 110 may be open to expose fibrous fuel holding material or the like, in which case the receiver 117 can act to close the lower end of the tank 110 when the receiver is not in use, and the lid 119 may act to close the lower end of the receiver when in use. When, as shown, the bottom panel 132 is employed, the lid 119 and hinge 121 can be eliminated, if desired, and the bottom panel 132 can act to close the open side of the receiver portion 117.

As will be apparent, the ash receivers or receptacles of this invention are readily adaptable for use with a cigarette case or container or the like. The only change required is an increase in size. A cigarette case can be substituted for the case or fuel tank 110. The sleeve 116 and receiver 117 of the type shown in Figures 3 and 4 may be of sufficient size to slide over a cigarette case.

When the ash receiver is in retracted position, it adds no substantial bulk to the lighter or cigarette case. When in extended position and ready for use, it may temporarily add about one-third to the bulk, but the receiver may be swung into registry with the lighter or cigarette case so that it is readily portable in extended position.

The openings 23 and 123 and the covers for the openings may be omitted, if desired, in which case the lids 19 and 119 may be opened for the insertion of refuse. The lids 19 and 119 may serve dual functions of forming closures for the receivers and of protecting the lighter mechanism and plugs from ashes and other refuse in the receivers.

The receptacles may be constructed of any suitable material and may be decorated in various ways. Many variations of the structure will be apparent, and the invention is not intended to be limited by the foregoing detailed descrip-

tion and by the drawing except as set out in the appended claims.

What is claimed is:

1. The combination of a lighter, said lighter having an outer case of elongated, substantially rectangular transverse cross section, a flame producing device carried at an end of said lighter, a sleeve of hollow, elongated rectangular cross section slidable over said case lengthwise of said case, a hollow box shaped receiver having a closed bottom and sides and an open mouth, said receiver having substantially the same cross section as the sleeve and being hinged to an edge of said sleeve along an edge of said open mouth, a lid hinged along a lengthwise side of the open mouth of said receiver, said lid being disposable to close said open mouth and being disposable along a closed side of said receiver, an opening in a side of said receiver, and means for closing said opening, said receiver being swingable when the lid is disposed along a closed side of the receptacle from a closed position in which the receiver is in registry with the sleeve and the side walls of the receiver are aligned with walls of the sleeve so that the receiver forms a cover for the flame-producing device to an open position in which the receiver is angularly disposed to the sleeve, whereby the receiver forms a removable cover for the flame-producing device.

2. In combination with a lighter having an elongated case and a flame-producing device carried at one end of the case, a sleeve slidable over said case lengthwise of said case, a hollow box shaped receiver member having the same cross section as the sleeve, said receiver member having an open mouth and being hinged along an edge of the open mouth to an edge of the sleeve and being disposable in registry with the sleeve with sides of the receiver member in alignment with sides of the sleeve, the open mouth of the receiver member being adapted to face the flame-producing device when the sides of the receiver member are in alignment with the sides of the sleeve, said sleeve being disposable with the hinge edge in alignment with the end of the case carrying the flame-producing device, whereby the receiver member is adapted to form a cover for the flame-producing device, the receiver member being swingable about the hinge to reveal the flame-producing device, and a lid hinged to a second edge of the mouth of the receiver member and adapted to close the open mouth of the receiver member, said sleeve being disposable with the hinge end of the sleeve encircling the flame-

producing device, whereby the sides of the receiver member may be aligned with the sides of the sleeve when the lid is closed, the lid being disposable along a side of the receiver member when the receiver member forms a cover for the flame-producing device.

3. In combination a lighter, said lighter having an outer case of elongated, substantially rectangular transverse cross-section, a sleeve of hollow elongated rectangular cross-section slidable over said case lengthwise thereof, a box shaped receiver having a closed bottom and sides and an open mouth, a lid hinged along a side of the open mouth of said receiver, said receiver being hinged to said sleeve along an edge of said open mouth, the receiver having substantially the same cross-section as the sleeve, said lid being movable on its hinge to a position in which said open mouth is closed and to a position along one of the closed sides of said receiver when the mouth is uncovered, the side of the receiver that is hinged to the lid being wider than the lid, whereby the edges of the lid terminate within the edges of said closed side of the receiver to which the lid is hinged, an opening in one of the sides of said receiver, and means for closing said opening, said receiver being swingable when the lid is disposed along the side of the receiver to which the lid is hinged from a closed position in which the receiver is in registry with the sleeve and the side walls of the receiver are aligned with the walls of the sleeve, to an open position in which the receiver is angularly disposed to the sleeve, the receiver being slideable along the case when in closed position.

WILLARD E. JAAP.

REFERENCES CITED

The following references are of record in the file of this patent:

UNITED STATES PATENTS

Number	Name	Date
1,130,811	Goldsmith	Mar. 9, 1915
1,387,007	Kelly	Aug. 9, 1921
1,499,054	Ford	June 24, 1924
1,562,497	Derry	Nov. 24, 1925
1,716,577	Deeks	June 11, 1929
1,902,028	Heywood	Mar. 21, 1933
2,033,315	Woodbery	Mar. 10, 1936
2,233,324	Palmer	Feb. 25, 1944

FOREIGN PATENTS

Number	Country	Date
811	Australia	Mar. 2, 1926