

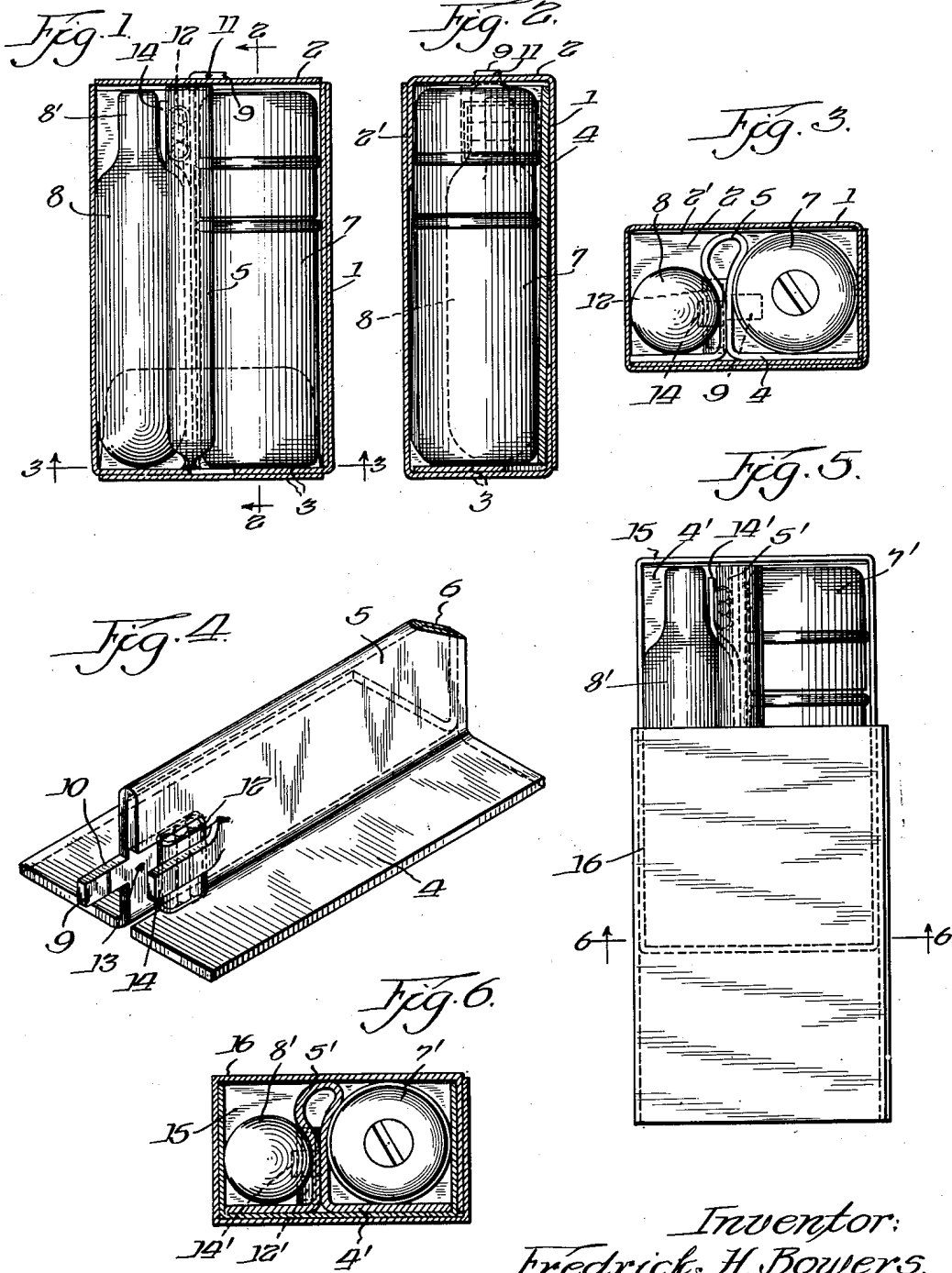
Sept. 26, 1950

F. H. BOWERS

2,523,415

PACKAGE

Filed Oct. 15, 1947



Inventor:
Fredrick H. Bowers.

By W. F. Kellogg
Atty.

UNITED STATES PATENT OFFICE

2,523,415

PACKAGE

Fredrick H. Bowers, Kalamazoo, Mich.

Application October 15, 1947, Serial No. 779,935

4 Claims. (Cl. 206—46)

1

This invention relates to improvements in receptacles, and particularly, to a receptacle for collectively packaging companionate use articles, such, for example, as smokers' articles in the form of pocket pyrophoric lighters, containers of fuel therefor, and an appropriate number of pyrophoric bodies or "flints."

The invention aims to provide a receptacle of the stated character which will conveniently and compactly receive and effectually, though removably, retain these inter-related articles, as above; prevent relative movement between such articles or their displacement when so packaged, and safeguard and protect the same against breakage or other damage.

It is also an object of the invention to provide a receptacle so constructed that articles to be contained thereby can be quickly group assembled and as quickly loaded, in unitary form, thereinto in a simple and effectual manner, particularly advantageous in volume packaging operations.

Furthermore, it is an object of the invention to provide a receptacle which, when opened for contents inspection or removal, will cause such contents to be partially collectively ejected therefrom whereby to facilitate their subsequent complete unitary removal, if so desired.

The foregoing, as well as other objects, advantages and meritorious teachings of my invention, will be in part obvious and in part pointed out in the following detailed disclosure thereof, when taken in conjunction with the accompanying drawings, it being understood that the forms of the invention presented herein are precise and what is now considered to be the better modes of embodying its principles, but that other modifications and changes may be made in specific embodiments without departing from its essential features.

In the drawings:

Figure 1 is a longitudinal section through a form of my improved receptacle showing use related articles contained therein.

Figure 2 is a similar section taken at right angles to Figure 1 and along the line 2—2 of said Figure 1, looking in the direction on which the arrows point.

Figure 3 is a transverse section taken on the

2

line 3—3 of Figure 1, looking in the direction in which the arrows point.

Figure 4 is an enlarged detail in perspective of the type of article retaining tray employed in the receptacle.

Figure 5 is a top plan view of a modified form of the receptacle, with the receptacle per se in a partially opened position, and

Figure 6 is a transverse section taken on the line 6—6 of Figure 5, looking in the direction in which the arrows point.

Referring in detail to the accompanying drawings, and especially, to the form of invention illustrated by the Figures 1 through 4, said invention comprises a rectangularly shaped receptacle 1 including top, bottom and side walls, and end walls constituted by flaps 2 and 3.

The flap 2, as shown in Figure 2 of the drawings, is swingable from its particularly adjacent end portion of the receptacle and, to frictionally retain it in a closed position, is formed with an inwardly disposed tongue 2'. Said tongue is shaped and sized for snug entry into the adjacent receptacle open end. Thus, it will movably anchor the flap 2 in closed relation to the receptacle 1, but when desired, can be drawn out thereof to allow outward swinging of said flap 2 to an open position.

The remaining flaps 3, when closed, are overlapped and joined together by an adhesive or other suitable securing medium.

A rectangularly shaped tray 4, made of suitable sheet material having a limited but definite amount of flexibility, is snugly receivable in the receptacle 1 by way of its flap 2 provided open end. An intermediate portion of the tray is folded upon and longitudinally of itself to form an integral longitudinally extending and substantially right angularly disposed partition or wall 5 (see Figure 4).

The depth of the partition 5 is somewhat greater than the depth of the receptacle 1, while one end portion of the same is obliquely cut away or beveled, as at 6. Hence, when the tray 4 is slidingly and snugly inserted into said receptacle via the flap 2 provided open end thereof, the beveled and now leading end 6 of the partition 5 rides under, by and along the under side or face of its top wall. In so doing, said partition is forced and flexed inwardly so that its opposite

3

sides are bowed or bulged outwardly in the manner and to the positions shown in Figure 3 of the drawings. Because of such outward bowing or bulging, articles 7 and 8, positioned on the tray adjacent the opposite sides of the partition 5, will be firmly though yieldably engaged thereby. Said articles will thus be effectually retained and prevented from relative movement in or unwanted displacement from the receptacle 1.

The articles 7 and 8 may differ in character or form. In the present embodiment or adaptation of the invention, they are shown, respectively, to be a cylindrical type of pocket pyrophoric lighter and a capsule-like liquid fuel container having a reduced and severable end 8'. By severing or otherwise opening this end 8', the liquid fuel within the container 8 can be conveniently dispensed into the pocket lighter 7 for an obvious purpose.

In order to effect a partial collective ejection of the tray 5 and its articles 7 and 8 endwise from the receptacle 1 with outward swinging of its flap 2, and so, when desired, facilitate their complete removal from said receptacle, one side of the partition 5 has an outwardly extending finger 9 on its normally outer end. An intermediate portion of this finger is transversely scored or otherwise weakened, as at 10. The free and outer portion of the finger is passed through an appropriate slit or like opening formed in an adjacent portion of the flap 2, which is now in its closed position. The extended end of the finger is bent or folded on itself into contact with the flap, as at 11, and is permanently secured thereto by adhesive, etc. In consequence, when the tongue 2' of the flap 2 is outwardly removed from its particular receptacle end and said flap is then swung outwardly, the finger effected coupling between the flap and the partition 5 will cause the latter and the tray 4 to be pulled outwardly from the receptacle open end, i. e., partially ejected. With continued outward swinging of said flap 2, the finger 9 will be ruptured or torn, along its weakened part 10, allowing the tray carrying the articles 7 and 8 to be freely, completely and collectively removed from the receptacle 1.

In order that a small packet 12, which may contain a number of so-called lighter "flints" can be removably retained on and by the partition 5 in the heretofore described tray assembly of use related articles 7 and 8, an end or other suitable portion of the remaining side of said partition 5 is cut away, as indicated at 13, and is longitudinally slit for a distance sufficient to form a longitudinally disposed ear 14. By flexing the ear outwardly, in the manner shown in Figure 4, the "flint" containing packet 12 can be conveniently and securely clasped thereunder, i. e., bindingly secured between the ear and an adjacent portion of the partition 5, where it will be removably retained. Of course, the ear 14 may be constructed in a manner different from that just described; also, its relative position on the partition may be varied, such as conditions or preference may dictate.

In the form of my invention disclosed in the Figures 5 and 6 of the accompanying drawings, a different type of receptacle is employed. In this particular embodiment of the invention, the receptacle comprises a tray or receptacle per se, preferably of rectangular shape, indicated in its entirety by the numeral 15. It has a bottom and side and end walls, while the top thereof is open. The receptacle 15 is adapted to be snugly and slidably received in a substantially correspond-

4

ingly shaped and sized rectangular sleeve-like casing or cover, generally indicated by the numeral 16, including top and bottom walls and longitudinal side walls. The opposite ends of the cover are open, and thus, permit of sliding engagement of the receptacle 15 therein and therefrom, as indicated in Figure 5.

A tray 4', similar in construction and formation to the tray 4 described in the preceding embodiment of the invention, is snugly received in the tray-like receptacle 15. Said tray 4' is provided with a longitudinally extending and relatively right angularly disposed partition 5'. Articles 7' and 8' are adapted to be received on the tray adjacent the opposite sides of the partition 5'. Also, an ear 14' is formed on one end portion of the partition and serves to claspingly though removably retain a packet 12' thereunder.

As in the instance of the partition 5 of the tray 4 of the preceding described embodiment of the invention, the depth of the partition 5' is somewhat greater than the depth of the cover 16, with the result that when the tray 4' and its partition 5' are arranged in the tray-like receptacle 15, and the latter is slidably engaged within the cover 16, said partition 5' will be inwardly depressed, whereupon its opposite sides will be outwardly bulged, as shown in Figure 6. Thus, the bulged opposite sides of said partition 5' will be brought into yieldable though secure retaining engagement with adjacent portions of the articles 7' and 8', as and for the purposes hereinbefore described.

It will be understood by workers skilled in this particular art that my improved package provides a convenient and compact kit for smokers' articles. The package, by reason of its relatively small size and formation, is capable of being advantageously and effectually placed in vending machines for dispensing therefrom, though, of course, it can be commercialized or distributed in various other and well known ways.

I claim:

1. A package of the character described, comprising a receptacle, a tray removably received therein, a longitudinally and angularly disposed partition carried by an intermediate portion of said tray, an end portion of one side of said partition being cut away and forming a pocket therein, and a longitudinally disposed flexible ear integral with the partition and extended across said pocket.

2. A package of the character described, comprising a receptacle, a tray slidably received therein, a longitudinal and angularly disposed flexible partition on an intermediate portion of said tray having the free and normally outer side thereof bearing against a portion of the under side of the receptacle top wall and bowed outwardly throughout its length, an end portion of one side of said partition being cut away and forming a pocket therein, and a longitudinally disposed flexible ear integral with the partition extendable across said pocket.

3. A package of the character described, comprising a receptacle having an open end, a swingable flap on the receptacle adjacent said open end for closing the same, at times, a tray slidably received in the receptacle through said open end, a longitudinal and angularly disposed flexible partition on an intermediate portion of said tray having the free and normally upper side thereof bearing against a portion of the under side of the receptacle top wall and bowed outwardly throughout its length, and rupturable means in-

5

tegral with one end of said partition connecting the same and the tray to said flap.

4. A package of the character described, comprising a receptacle having an open end, a swingable flap on the receptacle adjacent said open end for closing the same, at times, a tray slidably received in the receptacle through said open end, a longitudinal and angularly disposed flexible partition on an intermediate portion of said tray having the free and normally upper side thereof bearing against a portion of the under side of the receptacle top wall and bowed outwardly throughout its length, an ear struck from a portion of said partition having limited outward movement with relation thereto, and a rupturable finger extended outwardly from an end portion of said partition connecting the same and the tray to said flap.

FREDRICK H. BOWERS. 20

5

10

15

20

Number
985,870
1,328,524
1,586,447
1,910,408
2,068,983
2,335,016
2,410,923
2,425,536

Number
411,677
465,003
802,806

6

REFERENCES CITED

The following references are of record in the file of this patent:

UNITED STATES PATENTS

Name	Date
Westling	Mar. 7, 1911
Knapp	Jan. 20, 1920
James	May 25, 1926
Schwartzberg	May 23, 1933
Henderson	Jan. 26, 1937
Lorenzen et al.	Nov. 23, 1943
Beardsley	Nov. 12, 1946
Hofeldt et al.	Aug. 12, 1947

FOREIGN PATENTS

Country	Date
France	Apr. 16, 1910
Great Britain	Apr. 29, 1937
France	June 22, 1936