

Jan. 3, 1950

C. A. FORTIN

2,493,450

DEMOUNTABLE HEAD ASSEMBLY FOR POCKET LIGHTERS

Filed Aug. 3, 1949

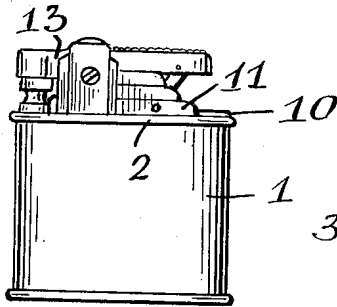


Fig. 1

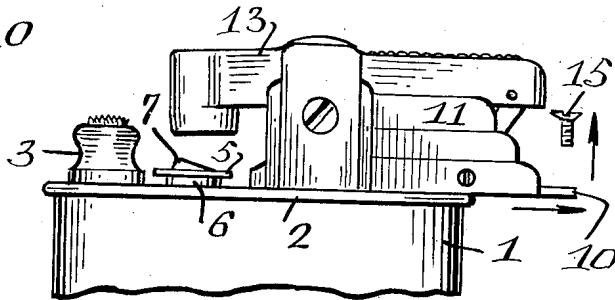


Fig. 2

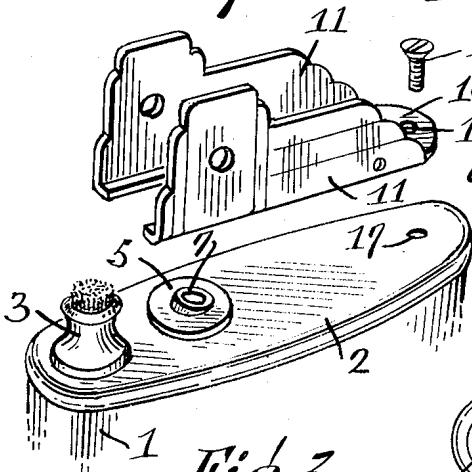


Fig. 3

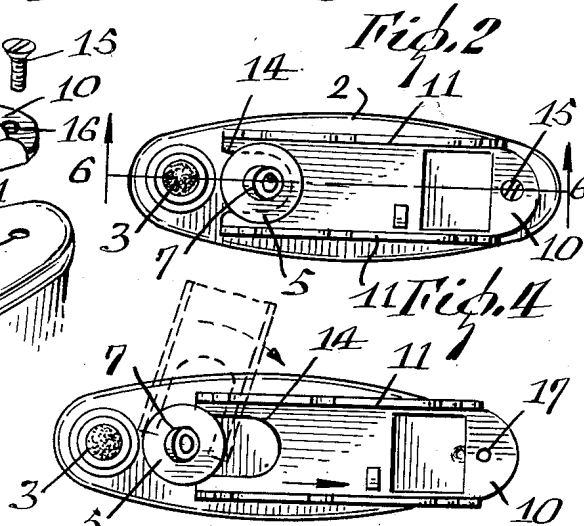


Fig. 4



Fig. 5

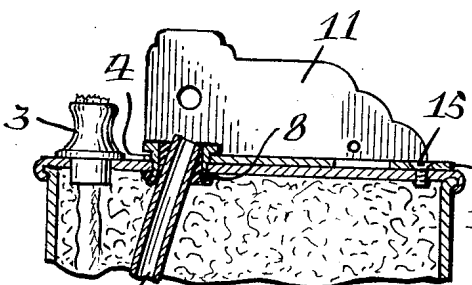


Fig. 6

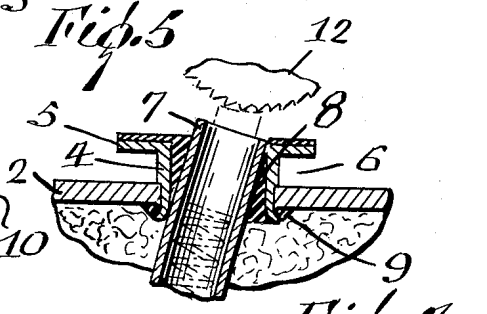


Fig. 7

Inventor:  
Charles Aimé Fortin

By *Alfred J. J. J.*  
Attorney

# UNITED STATES PATENT OFFICE

2,493,450

## DEMOUNTABLE HEAD ASSEMBLY FOR POCKET LIGHTERS

Charles Aimé Fortin, Montreal, Quebec, Canada,  
assignor to Presto Lighters Limited, Montreal,  
Quebec, Canada

Application August 3, 1949, Serial No. 108,248

2 Claims. (Cl. 67—7.1)

1

The present invention pertains to a novel demountable head assembly for pocket lighters. The head of a pocket lighter carries the movable parts such as the striking wheel, the operating lever and the cap for the wick tube. In assembling the lighter, the movable parts are assembled on the head, and the head is then mounted on the body.

The principal object of the invention is to provide a construction wherein these assembly operations are facilitated. A further object is to facilitate dismantling for the repair and replacement of parts, after which the head is easily remounted on the body as in the initial assembly.

In the accomplishment of these objects, the body of the lighter is formed with a solid top in which is mounted the wick tube. In the top is also secured a ring or collar having an outward flange spaced above the top. The flint tube is secured in this ring.

The head is a U-shaped member having its base forked at one end. The sides of this member carry the aforementioned movable parts. The head is assembled to the body by fitting the forked end of the base on the ring beneath its flange. The base is then alined with the top and secured thereto by suitable detachable means such as a screw.

The invention is fully disclosed by way of example in the following description and in the accompanying drawings in which:

Figure 1 is a side elevation of the device;  
Figure 2 is an enlarged detail elevation;  
Figure 3 is an exploded perspective view;  
Figure 4 is a plan view of the assembled device;  
Figure 5 is a plan view of the device partially assembled;

Figure 6 is a section on the line 6—6 of Figure 4; and

Figure 7 is an enlarged detail of Figure 6.

References to these views will now be made by use of like characters which are employed to designate corresponding parts throughout.

In the several figures of the drawing is shown the body 1 of a pocket lighter having a closed top 2. In the top is fitted a wick tube 3 and a ring collar 4 for the flint tube.

The ring 4 has an outward flange 5 spaced at 6 above the top 2. A flint tube 7 is secured obliquely in the ring 4 and extends into the body 1 in the usual manner. Around the tube 7 the ring 4 is filled with a soldering or welding material 8 which secures the tube to the ring and also secures the ring to the top 2 as indicated by the numeral 9 in Figure 7.

Upon the top 2 is mounted a U-shaped head including a base 10 and a pair of vertical sides 11. The head is designed to carry a sparking

2

wheel 12 over the flint tube and a lever 13 for operating the wheel and normally covering the wick tube 3.

The invention is concerned with the assembling and attachment of the head on the top 2. The forward end of the base 10 is forked at 14 to receive the ring 4 beneath its flange 5 and at the space 6. The head is more easily applied laterally, as shown in dotted lines in Figure 5, and is then swung around over the top 2 and pushed forward to the position shown in Figures 1, 2, 4 and 6. To secure this position, a screw 15 is passed through a hole 16 in the base 10 and threaded into a tapped hole 17 in the top 2.

For the purpose of repair or replacement of parts, it is desirable to remove the head. This is accomplished easily by removing the screw 15 and sliding the head off the ring 4. The mounting of the head has already been described, and the ease thereof is also valuable in the initial assembling of the lighter.

Although a specific embodiment of the invention has been illustrated and described, it will be understood that various alterations in the details of construction may be made without departing from the scope of the invention as indicated by the appended claims.

What I claim is:

1. In a pocket lighter having a body with a top member thereon, a demountable head assembly comprising a U-shaped head having a base and two sides, a ring secured in said top member and having an outward flange spaced above said member, one end of said base being forked to receive said ring beneath its flange, a flint tube secured in said ring and extending into said body, and means for fastening said base to said top member.

2. In a pocket lighter having a body with a top member thereon, a demountable head assembly comprising a U-shaped head having a base and two sides, a ring secured in said top member and having an outward flange spaced above said member, one end of said base being forked to receive said ring beneath its flange, a flint tube secured in said ring and extending into said body, and a screw adapted to be passed through said base and into said top member.

CHARLES AIMÉ FORTIN.

### REFERENCES CITED

The following references are of record in the file of this patent:

### FOREIGN PATENTS

Number	Country	Date
583,155	Great Britain	Dec. 10, 1946