

March 8, 1949.

E. J. LEE

2,463,981

FLINT PLUG MAGAZINE

Filed Oct. 16, 1945

Fig. 1.

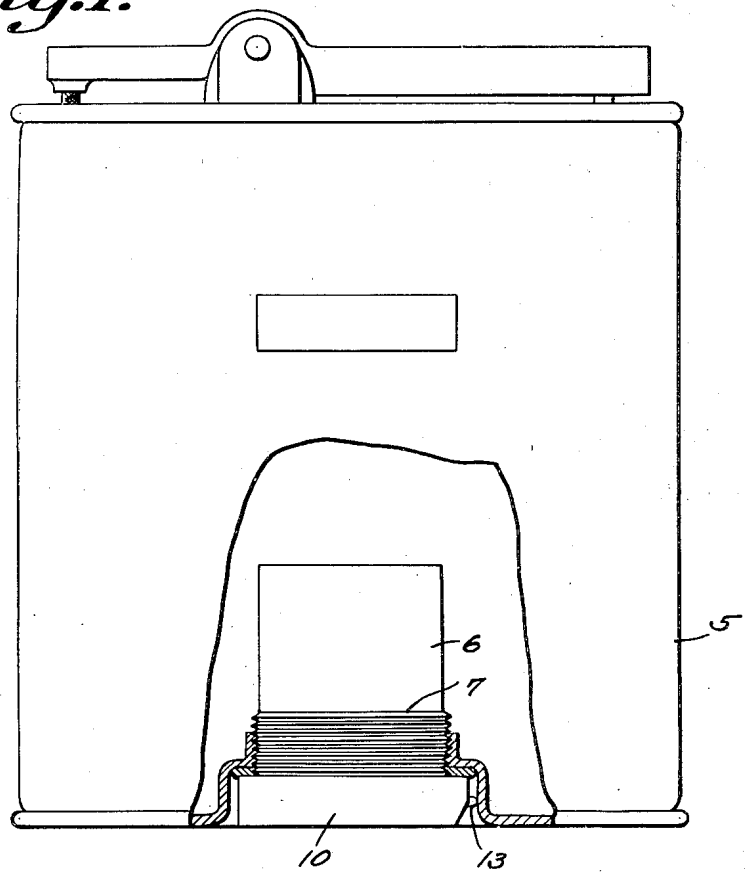


Fig. 2.

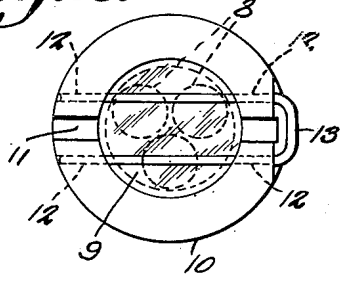
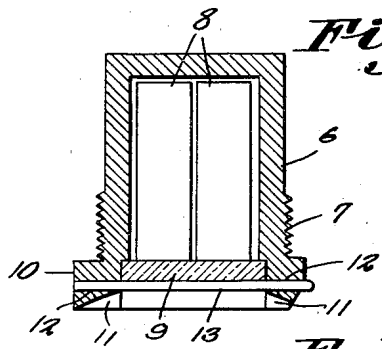


Fig. 3.



E. J. Lee
INVENTOR.

BY *Edmond*

ATTORNEYS.

UNITED STATES PATENT OFFICE

2,463,981

FLINT PLUG MAGAZINE

Elmer J. Lee, Stroudsburg, Pa.

Application October 16, 1945, Serial No. 622,540

1 Claim. (Cl. 220—23)

1

This invention relates to pocket lighters of the liquid fuel type, wherein an abrasive wheel is moved against a flint plug, creating a spark to ignite a wick disposed adjacent thereto, and which is saturated with an inflammable liquid, causing a flame for use in lighting cigars, cigarettes or the like.

It is a known fact that in pocket lighters of this character, they are frequently rendered inoperative due to wear directed to the flint plug and the plug must be replaced to render the device operative for further use.

It is therefore the object of the present invention, to provide a flint plug chamber or magazine in which renewal flint plugs are carried so that they may be readily and easily removed from the magazine and positioned within the flint plug holder to be engaged by the abrasive wheel of the lighter for creating a spark.

An important object of the invention is to provide a magazine of this character which also provides the closure for the fluid chamber of the lighter, the magazine being so constructed that the contents of the magazine will be protected against the liquid of the lighter, to render them inoperative.

Still another object of the invention is to provide a transparent cover for the closure plug of the fluid chamber of the lighter, so that the contents of the magazine may be visible at all times, novel means being provided for holding the transparent cover in position so that it may be readily removed to gain access to the contents of the magazine.

With the foregoing and other objects in view which will appear as the description proceeds, the invention consists of certain novel details of construction and combinations of parts, hereinafter more fully described and pointed out in the claims, it being understood that changes may be made in the construction and arrangement of parts without departing from the spirit of the invention as claimed.

Referring to the drawing:

Figure 1 is an elevational view of a pocket lighter constructed in accordance with the invention, a portion of the casing having been broken away to illustrate the flint plug magazine.

Figure 2 is an end elevational view of the combined flint plug magazine and tank closure plug.

Figure 3 is a longitudinal sectional view through the flint plug magazine illustrating flint plugs as contained therein.

Referring to the drawing in detail the reference character 5 indicates the body portion of a

2

pocket lighter, the body portion providing the tank for the inflammable fluid used with the lighter.

The filling opening of the body portion or tank 5, is closed by means of the hollow plug 6 which is formed with threads 7 that cooperate with threads formed in the wall of the opening, so that the plug may be positioned within the opening to seal the opening against leakage.

This hollow plug 6 provides a magazine for flint plugs indicated at 8, which plugs are used in conjunction with an abrasive wheel in pocket lighters of this character in creating a spark.

As clearly shown by Figure 3 of the drawing, the open end of the hollow plug 6 is slightly recessed providing an annular shoulder against which the transparent disc closure 9 rests, the closure engaging the flint plugs 8 to hold them in position within the magazine.

The reference character 10 designates an annular flange which is formed at one end of the magazine, the outer surface of the flange being formed with a curved slot 11 designed to receive the curved edge of a coin which may be used as a means for rotating the plug to remove or replace the plug within the opening.

Pairs of openings 12 extend transversely through the flange 10 in a line flush with the outer surface of the disc 9, the openings 12 being designed to accommodate the U-shaped securing member 13 which is inserted from the side of the flange, as shown by Figure 2. This U-shaped securing member, being formed of resilient metal, will set up a binding action within the openings to hold the securing member in position, by frictional contact with the walls of the openings.

In order to remove or replace flint plugs, it is only necessary to remove the securing member, whereupon the disc 9 will fall from its position exposing the flints.

Due to the construction of applicant's magazine, the flint plugs will be protected against the fluid of the lighter, finding its way into the magazine to render the flint plugs inoperative.

What is claimed is:

A pocket lighter comprising in combination, a body portion having its end wall recessed and threaded and providing a filling opening, a threaded hollow open ended plug closing said filling opening providing a magazine for containing flints, a removable transparent closure fitted within the open end of the plug closing the open end of the plug, said plug having aligning openings disposed directly opposite to each other, a U-shaped wire member extended through the

3

aligning openings overlying the transparent closure in contact therewith, securing the closure within the open end of the plug, said plug adapted to be fitted within the recessed portion of the container with the outer edge of the plug flush with the end wall of the body portion, the U-shaped wire member abutting the wall formed by the recessed portion, securing said U-shaped wire and transparent closure against accidental displacement.

ELMER J. LEE.

REFERENCES CITED

The following references are of record in the file of this patent:

4

UNITED STATES PATENTS

Number	Name	Date
560,811	Meng -----	May 26, 1896
1,749,229	Rand -----	Mar. 4, 1930
1,766,320	Ahrens -----	June 24, 1930
1,851,641	Morey -----	Mar. 29, 1932
2,416,693	Hills -----	Mar. 4, 1947

FOREIGN PATENTS

Number	Country	Date
150,042	Austria -----	June 25, 1937

10

15