

Feb. 1, 1949.

H. E. MUSSELMAN ET AL

2,460,427

COMBINED CIGARETTE CASE AND LIGHTER

Filed Jan. 26, 1946

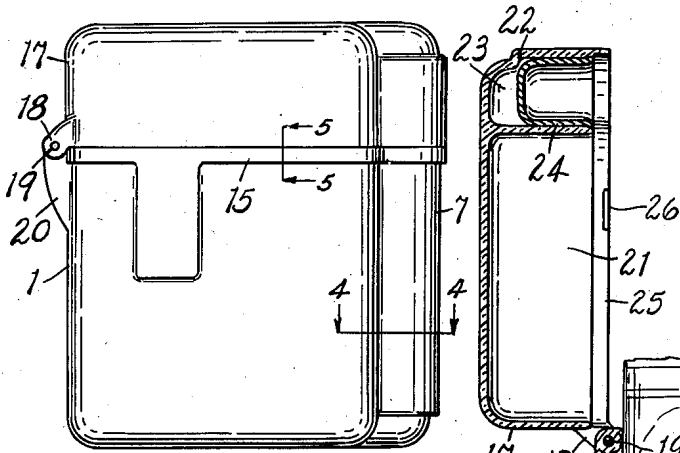


FIG. 1

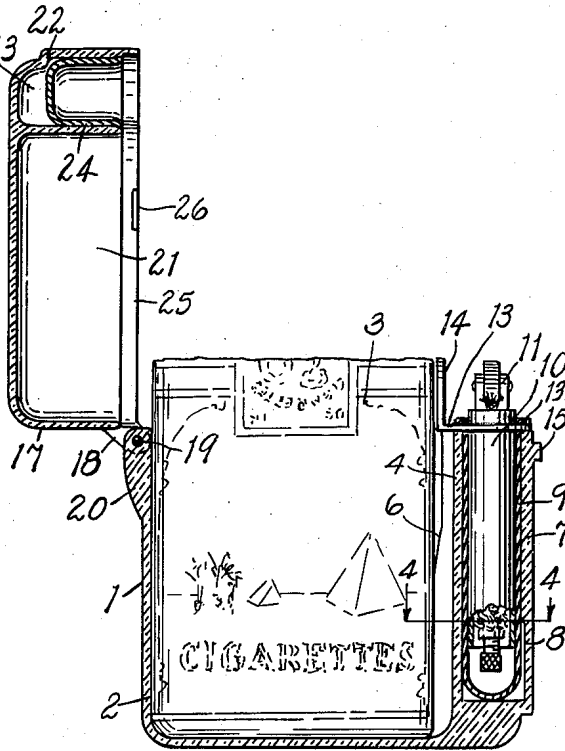


FIG. 2

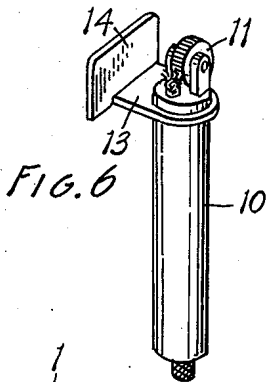


FIG. 6

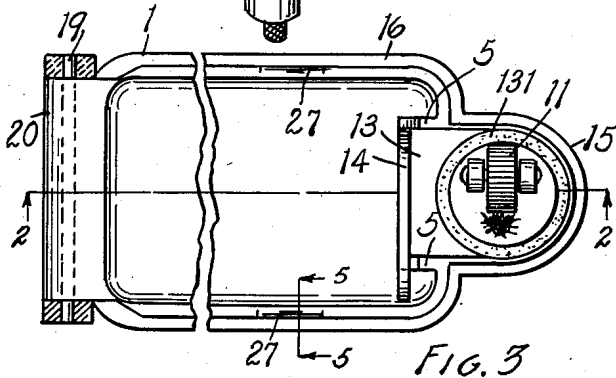


FIG. 3

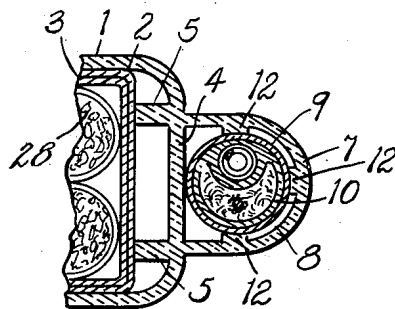


FIG. 4

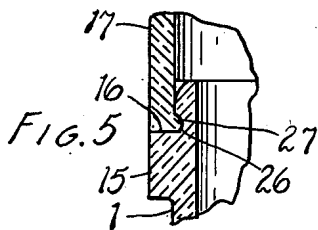


FIG. 5

INVENTORS.
Henry E. Musselman
BY William H. Buck

Arthur Earl
Attorney.

UNITED STATES PATENT OFFICE

2,460,427

COMBINED CIGARETTE CASE AND LIGHTER

Henry E. Musselman and William H. Buck,
Kalamazoo, Mich.

Application January 26, 1946, Serial No. 643,564

2 Claims. (Cl. 206—41.4)

1

This invention relates to improvements in combined cigarette case and lighter.

The main objects of this invention are:

First, to provide a combined cigarette case and lighter which may be formed mainly of plastic materials and one which is ornamental in design and at the same time highly efficient in enclosing and supporting the cigarettes for ready access and the lighter.

Second, to provide a structure embodying these advantages in which the lighter is effectively snuffed when the cover is closed.

Objects relating to details and economies of the invention will appear from the description to follow. The invention is defined and pointed out in the claims.

A preferred embodiment of the invention is illustrated in the accompanying drawing, in which:

Fig. 1 is a side elevation of a structure embodying my invention.

Fig. 2 is a view mainly in vertical section from front to rear with the cover open and a package of cigarettes arranged in the case.

Fig. 3 is an enlarged plan view sectioned through the cover hinge ears.

Fig. 4 is an enlarged fragmentary view in section on line 4—4 of Figs. 1 and 2.

Fig. 5 is an enlarged fragmentary view in section on line 5—5 of Figs. 1 and 3 showing the details of the cover retaining means.

Fig. 6 is a perspective view of the parts of the igniter.

The embodiment of our invention illustrated comprises a body member 1 formed integrally of molded plastic and having a cigarette compartment 2 of substantially rectangular cross section and desirably of such dimensions as to receive a complete package of cigarettes with the upper end of the package projecting from the compartment, the package being indicated at 3 in Fig. 2. The front wall of the compartment has internal longitudinal laterally spaced ribs 5, the ribs having outwardly inclined inner edge portions 6 adapted to guide the cigarette package into wedging engagement with the lower portions of the ribs so that the carton of cigarettes may be pushed into the compartment without likelihood of crushing the cigarettes and at the same time the package is effectively retained.

The body member also has an integral longitudinal boss-like enlargement 7 chambered at 8 to removably receive the lighter which in this case comprises the tubular shell 9 closed at its inner end and the lighter proper 10 having ignition

2

means designated generally by the numeral 11 projecting from the compartment.

The shell 9 is supported by the longitudinal ribs 12 formed on the inner wall of the chamber 5 8 to coact with the front wall 4 in supporting the shell. The inner faces of these ribs are curved to fit the shell.

The lighter body member 10 is provided with an angular guard member 13, one arm of which embraces the body member 10, the other arm projecting upwardly at the side of the cigarette package 3 to constitute a shield 14.

The body member is provided with a peripheral rib 15 in spaced relation to its upper edge and constituting a cover supporting ledge 16. The cover 17 is also desirably formed of plastic and is provided with pivot ears 18 receiving the pin or pintle 19 carried by the boss-like enlargement 20 on the rear wall of the body member.

The cover has a compartment 21 complementary to the compartment 2 of the body member and adapted to receive the projecting end of the cigarette package. The cover member is provided with a boss-like enlargement 22 on its swinging end chambered at 23 to receive the metal snuffer cap 24 which closes over the ignition means of the igniter.

A gasket 131 is provided on the outer side of the guard member and the cap 24 closes against this gasket, resulting in a quick snuffing action. This gasket also prevents the escape and evaporation of the fluid.

The cover is provided with a flange portion 25 adapted to close over the body member so that the edge of the cover rests upon the ledge 16 as shown in Fig. 5. The compartment 21 closes over the shield 14.

The cover is provided with integral lug-like latch members 26 on the side portions of its flange adapted to engage the integral keepers 27 on the body member, the sides of the cover being springable or springing sufficiently to allow a snap engagement of the latch members with the cover. The shield 14 protects the cigarette package from the flame of the igniter.

The tubular shell 9 prevents the fluid from coming into contact with the plastic material of the casing. The case is well adapted for carrying in the pocket and may be made in attractive colors and is very attractive in design.

While the structure is designed to receive a complete package of cigarettes, it will of course be understood that cigarettes may be placed loosely in the cigarette compartment although they are better protected and less exposed when the case

3

is opened if the entire package is inserted. Standard types of packages may be inserted without injury to the cigarettes which are conventionally illustrated at 28.

We have illustrated and described our invention in a highly attractive and practical embodiment thereof. We have not attempted to illustrate or describe certain modifications and adaptations as it is believed that this disclosure will enable those skilled in the art to embody or adapt our invention as may be desired.

Having thus described our invention, what we claim as new and desire to secure by Letters Patent is:

1. A combined cigarette case and lighter comprising an integral body member of molded plastic material having a compartment of substantially rectangular cross section and of such dimensions as to receive a package of cigarettes with the upper end of the package projecting therefrom, the front wall of the compartment having internal longitudinally extending and laterally spaced ribs with outwardly inclined inner edge portions, said ribs acting to wedgingly engage a cigarette package within the compartment, said body member also having a longitudinal boss-like enlargement on the front wall thereof chambered to provide a lighter compartment and having internal longitudinally extending ribs with curved inner edges coacting with the inner wall of the chamber to receive and removably support a cylindrical lighter, the body member having a peripheral rib spaced from its upper edge providing a cover ledge, a cylindrical lighter arranged in said lighter chamber to project therefrom and provided with ignition means at its projecting end and having thereon an angular guard member with one arm thereof retainingly engaged with the lighter at the inner side of its ignition means and supported upon the end edge of the ignition chamber wall, the other arm projecting upwardly and constituting a shield between the igniter means and the cigarette package, a cover member of molded plastic material hinged to the rear wall of said body member and having a compartment therein complementary to said cigarette compartment of said body member and adapted to receive the projecting end of a cigarette package therein and said shield, said cover member having a boss-like extension on its swinging end chambered to complement said lighter chamber, said cover member having a flange portion in its edge adapted to close over the upper end of the

4

body member and abut the said cover ledge thereon, and a snuffer cap arranged in said complementary lighter chamber of said cover to enclose the projecting end of the lighter and the ignition means thereof.

2. A combined cigarette case and igniter comprising an integral body member of molded plastic material having a compartment of substantially rectangular cross section and of such dimensions as to receive a package of cigarettes with the upper end of the package projecting therefrom, the front wall of the compartment having internal longitudinally extending and laterally spaced ribs with outwardly inclined inner edge portions, said ribs acting to wedgingly engage a cigarette package within the compartment, said body member also having a longitudinal boss-like enlargement on the front wall thereof chambered to provide a lighter compartment adapted to receive a lighter, a lighter arranged in said lighter chamber to project therefrom and provided with ignition means at its projecting end, a cover member of molded plastic material hinged to the rear wall of said body member and having a compartment therein complementary to said cigarette compartment of said body member and adapted to receive the projecting end of a cigarette package therein, said cover member having a boss-like extension on its swinging end chambered to complement said lighter chamber, and a snuffer cap arranged in said complementary lighter chamber of said cover to enclose the projecting end of the lighter and the ignition means thereof.

HENRY E. MUSSELMAN,
WILLIAM H. BUCK.

REFERENCES CITED

The following references are of record in the file of this patent:

UNITED STATES PATENTS

Number	Name	Date
1,741,867	Mara	Dec. 31, 1929
1,802,489	Wilt et al.	Apr. 28, 1931
1,883,752	Barnes	Oct. 18, 1932
2,033,174	Batley	Mar. 10, 1936
2,063,103	Kaiser et al.	Dec. 8, 1936

FOREIGN PATENTS

Number	Country	Date
292,724	Great Britain	June 28, 1928