

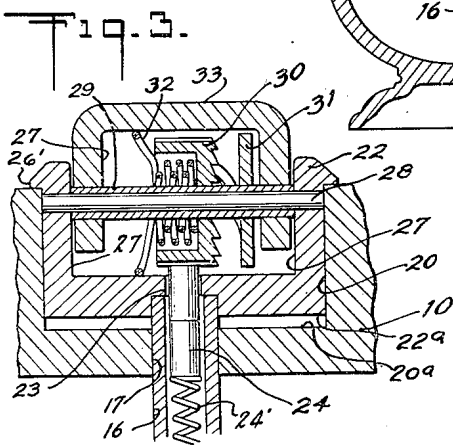
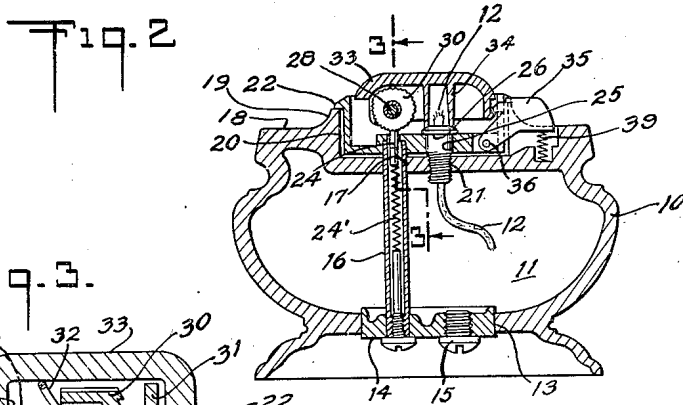
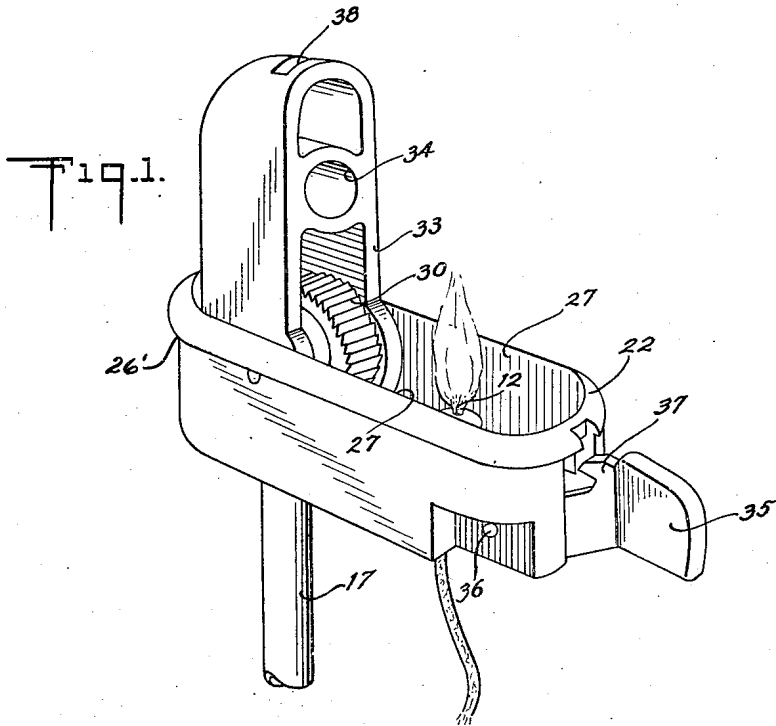
Jan. 18, 1949.

H. NEGBAUR

2,459,238

TABLE LIGHTER

Filed Aug. 28, 1946



INVENTOR.
HARRY NEGBAUR
BY
John M. Cole
ATTORNEY

UNITED STATES PATENT OFFICE

2,459,238

TABLE LIGHTER

Harry Negbaur, New York, N. Y., assignor to H. Negbaur & Co., New York, N. Y., a copartnership composed of Harry Negbaur and Dorothy B. Negbaur

Application August 28, 1946, Serial No. 693,393

2 Claims. (Cl. 67-4.1)

1

The present invention relates to table lighters and is more particularly directed toward lighter mechanism for use in such lighters.

According to the present invention the table lighter is designed to have an ornamental body which carries the operating parts of the lighter. In this manner the same operating mechanism may be employed with lighter bodies of various ornamental designs.

The accompanying drawings show, for purposes of illustrating the present invention, an embodiment in which the invention may take form, it being understood that the drawings are illustrative of the invention rather than limiting the same.

In these drawings:

Figure 1 is a perspective view of the lighter mechanism with parts in open position;

Figure 2 is a vertical sectional view through the complete lighter with the lighter mechanism in closed position; and

Figure 3 is a sectional view taken on the line 3-3 of Figure 2 at an enlarged scale.

The casing or body of the lighter is indicated at 10. It may conveniently be a slush metal casting, having a cavity 11 of suitable size to receive fuel absorbent material and the wick indicated at 12. The bottom of the body 10 is provided with an opening 13 to receive a plug 14. This plug is tapped to receive a filling screw 15 and carries a flint tube 16. The flint tube extends up through a hole 17 in the top and projects above the top of the body 10. The top of the body is flat as indicated at 18 and has a riser 19 about an elongated recess 20. The bottom 20a of the recess is tapped as indicated at 21.

A carrier 22 fits in the recess in the body. This carrier has a hole 23 to accommodate the flint 24 (urged upwardly by the spring 24') and has a hole 25 above the tapped hole 21. The carrier 23 is held in place by a headed member 26 threaded into the tapped hole 21, this member 26 being tubular so that the wick 12 can extend up through it as indicated. The carrier 22 has a top flange 26' which bears on the top of the riser and its bottom 22a is spaced above the recess bottom 20a to assure proper seating of the flange 26' on the riser, parallel vertical side walls 27-27 and supports a shaft or pin 28. This pin carries a tube 29 on which is mounted a flint wheel 30, a

2

ratchet 31, a spring 32 and a cover 33. The cover has a snuffer 34 positioned to cover the wick tube when the cover 33 is closed. A latch 35 pivoted at 36 has a hook 37 adapted to engage in a notch 38 in the cover member 33 and this latch is urged upwardly by a spring 39.

Table lighters made according to the present invention may have a very pleasing appearance as the artistic lines of the body, the cover and the carrier may be co-ordinated to produce a pleasing over all design. Furthermore, the lighter is convenient and efficient in use.

Since it is obvious that the invention may be embodied in other forms and constructions within the scope of the claims, I wish it to be understood that the particular form shown is but one of these forms, and various modifications and changes being possible, I do not otherwise limit myself in any way with respect thereto.

What is claimed is:

1. A lighter comprising a hollow, fuel-chamber-forming body having a top wall with an upper substantially flat surface outside a rectangular riser and a rectangular, upwardly opening recess within the riser, the recess having a bottom, an upwardly opening flint tube extending through an opening near one end of the bottom of the recess, the bottom of the recess having a tapped hole leading to the fuel chamber and located farther from said end of the recess, a rectangular box-like carrier member having side walls and end walls receivable in the recess, a top flange overlying the riser and a bottom wall spaced above the bottom of the recess, the bottom wall of the carrier member having a flint receiving opening in line with the flint tube and a hole in line with the tapped hole, a tubular headed member extending through the last mentioned hole and threaded into the tapped hole for securing the carrier member in place with the flange against the top of the body, a wick in the tubular member, a flint in the flint tube, a horizontal shaft extending between the side walls of the carrier member and with its ends below the top of the body, a flint wheel and flint wheel cover carried by the shaft, a spring urging the cover toward open position, a flint wheel operating ratchet mechanism interconnecting the flint wheel and cover, a horizontal latch shaft carried by the carrier member on the side of the

2,459,238

3

wick remote from the flint, the carrier and riser having aligned latch receiving slots, and a depressible, spring returned-latch lever carried on the latch shaft and having one end cooperable with the flint wheel cover for latching the cover in closed position and its other end extending through the slots and above the flat surface of the body for manual actuation.

2. A lighter such as claimed in claim 1 wherein the bottom of the body has a hole substantially larger than the flint tube, and having a plug for said larger hole which plug carries the flint tube.

HARRY NEGBAUR.

4

REFERENCES CITED

The following references are of record in the file of this patent:

UNITED STATES PATENTS

Number	Name	Date
1,060,150	Adamian -----	Apr. 29, 1913
1,754,319	Holtzman -----	Apr. 15, 1930
1,822,505	Rogers -----	Sept. 8, 1931

FOREIGN PATENTS

Number	Country	Date
148,840	Switzerland -----	Oct. 16, 1931
486,178	Great Britain -----	May 31, 1938
15 709,555	France -----	May 19, 1931