

Dec. 7, 1948.

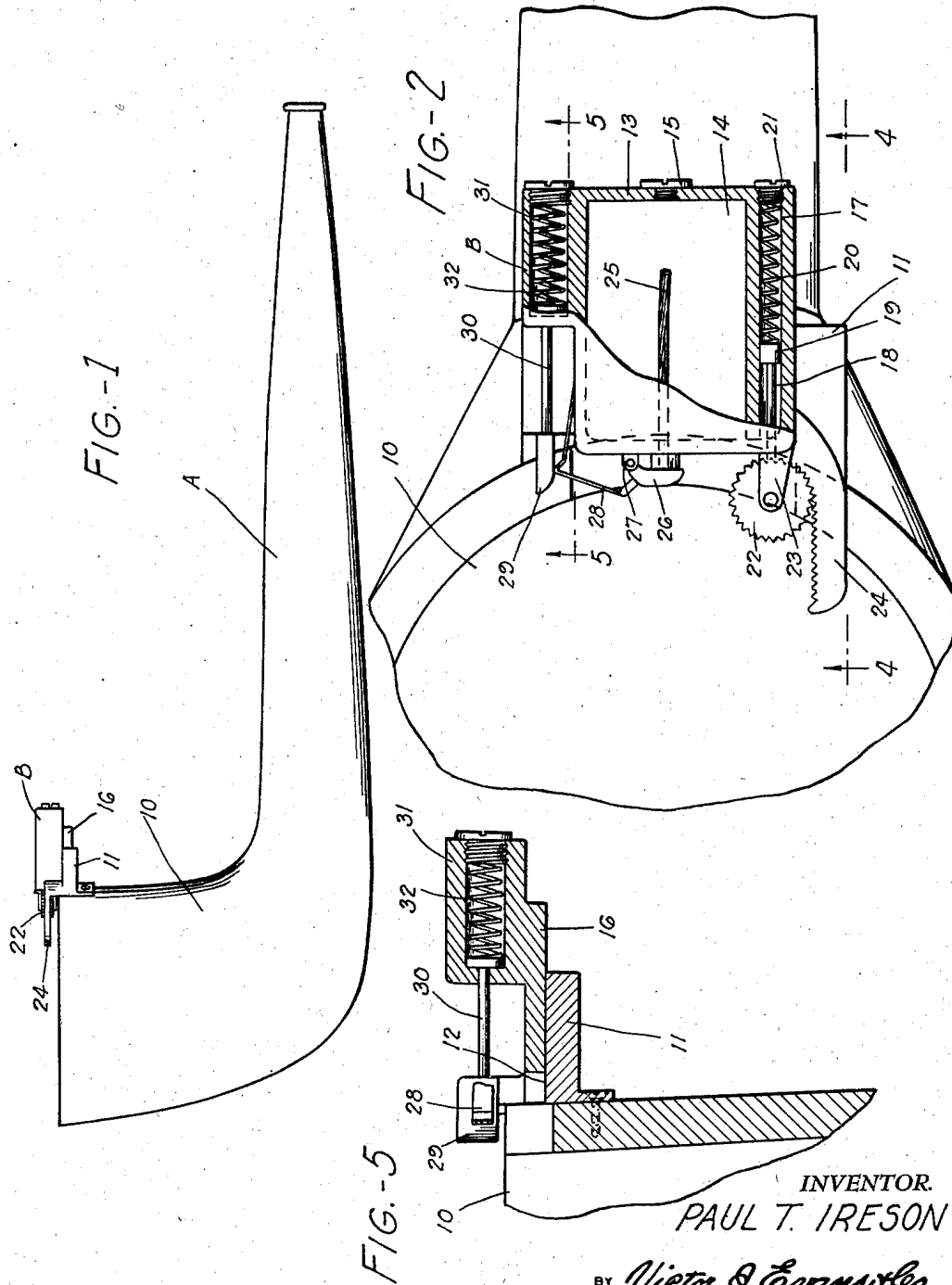
P. T. IRESON

2,455,583

COMBINED SMOKING PIPE AND LIGHTER

Filed June 27, 1946

2 Sheets-Sheet 1



INVENTOR.  
PAUL T. IRESON

BY *Victor J. Evans & Co.*

ATTORNEYS

Dec. 7, 1948.

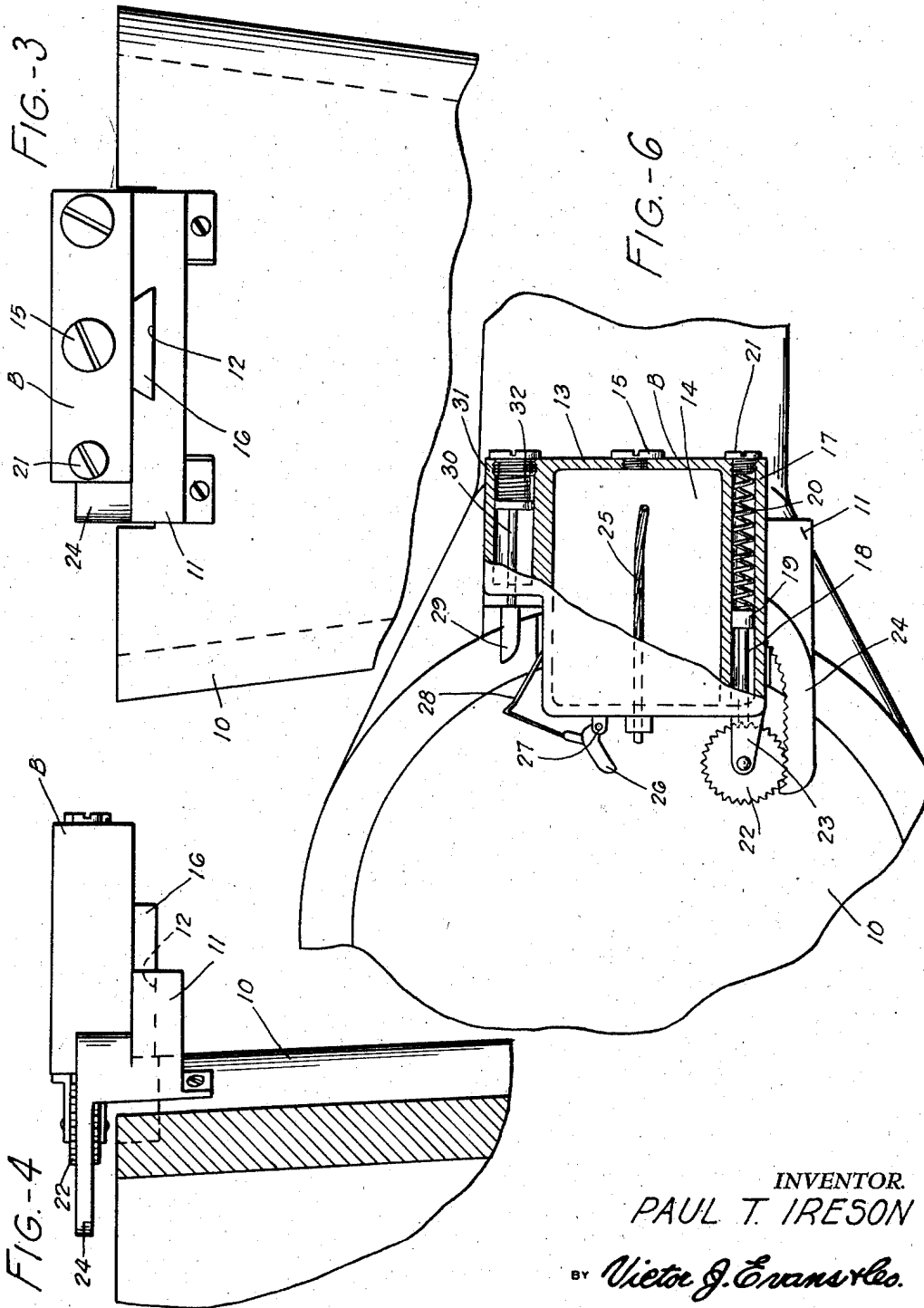
P. T. IRESON

2,455,583

COMBINED SMOKING PIPE AND LIGHTER

Filed June 27, 1946

2 Sheets-Sheet 2



INVENTOR  
PAUL T. IRESON

BY *Victor J. Evans & Co.*

ATTORNEYS

# UNITED STATES PATENT OFFICE

2,455,583

## COMBINED SMOKING PIPE AND LIGHTER

Paul Truman Ireson, East Detroit, Mich.

Application June 27, 1946, Serial No. 679,831

2 Claims. (Cl. 131—185)

1

The invention relates to a smoking pipe, and more especially to a combined smoking pipe and lighter.

The primary object of the invention is the provision of a pipe of this character, wherein at the tobacco bowl thereof is arranged a flint lighter, which when actuated enables the lighting of the tobacco in the said bowl for the smoking of the pipe, thus eliminating the use of matches for the lighting of the pipe when required or desired.

Another object of the invention is the provision of a pipe of this character, wherein the lighter is located with relation to the bowl, so that the tobacco therein can be lighted with ease, the lighter being readily and conveniently operated for its lighting with dispatch and certainty, either within or without an enclosure.

A further object of the invention is the provision of a pipe of this character, wherein the construction, including its lighter are novel and unique, and does not interfere with the filling or emptying of the bowl of the pipe when required, and permits the cleaning of the pipe with ease and dispatch.

A still further object of the invention is the provision of a pipe of this character, which is simple in construction, thoroughly reliable and efficient in the operation, strong, durable, neat in appearance, readily and easily lighted with dispatch, and as many times as required in the smoking of the pipe, compact, and inexpensive to manufacture.

With these and other objects in view the invention consists in the features of construction, combination and arrangement of parts as will be hereinafter more fully described, illustrated in the accompanying drawings, which disclose the preferred embodiment of the invention and pointed out in the claims hereunto appended.

In the accompanying drawings:

Figure 1 is a side elevation of the pipe with lighter constructed in accordance with the invention.

Figure 2 is an enlarged fragmentary top plan view, partly broken away, of the pipe.

Figure 3 is a fragmentary elevation, looking toward the rear side of the bowl of the pipe.

Figure 4 is a sectional view taken on the line 4—4 of Figure 2 looking in the direction of the arrows.

Figure 5 is a sectional view taken on the line 5—5 of Figure 2 looking in the direction of the arrows.

Figure 6 is a view similar to Figure 2 showing

2

the lighter in position for the automatic lighting thereof.

Referring to the drawings in detail, A designates generally a smoking pipe of any ordinary well known construction, for the smoking of tobacco, in the usual manner. The bowl 10 of this pipe A, at the rearmost portion of its side wall, has fixed thereto a supporting ear 11, which is disposed on a level at a plane slightly below the free upper open end of the said bowl, and has provided in its upper face, approximately centrally thereof, a dove-tail groove 12, while slidably mounted on this ear is a flint lighter denoted generally at B.

The lighter B is formed with a flattened elongated hollow body 13, for containing a lighter fluid, not shown, in its wick chamber 14, the fluid being supplied thereto on removal of screw plug 15 closing an appropriate filling opening, which is in the outermost end of the said body 13. The bottom side of the body 13 is provided with a dove-tail rib or tongue 16, which is accommodated in the groove 12, and in this manner the lighter B is slidably connected to the ear 11, for movements toward and away from the bowl 10 of the pipe A when manually actuated for lighting purposes.

The body 13 has formed therewith, parallel with the chamber 14, and following one side edge thereof, a lighting flint barrel 17 in which is a lighting flint 18, advanced by a feeder plunger 19, tensioned by a coiled expansion spring 20 confined within the said barrel, which has a removable filler plug 21 for the placement of the flint therein when required.

Adapted to become active on the flint 18 is a serrated sparking wheel 22 of the usual type, and journaled in a fixed bearing 23 carried by the body 13, as best seen in Figures 2 and 6 of the drawings. The wheel 22 is actuated by a rack 24 which is formed stationary on the ear 11 in the path of the said wheel, so that when the body 13 is moved manually this wheel creates a spark for the lighting of the wick 25 extended into the fluid within the chamber 14, and exposed from the body 13 to fire the tobacco within the bowl on the lighting of the said wick as is usual.

The wick 25 at its lighting end or exposure from the body 13 has covering the same a hinged snuffer cap 26, swingable at the hinge 27, and to this cap is connected a leaf-like opening spring 28, which is anchored to the exterior of the body 13, and this spring is acted upon by a camming head 29 unitary with the ear 11 for the opening of the cap 26 when the body 13 is moved in one direction, and on reverse movement of the latter

3

the spring automatically closes the said cap for extinguishing the flame of the wick.

Aligned with this head 29 is a plunger 30 which operates in a barrel 31 therefor formed on the body 13, and such plunger 30 has action against a coiled expansion spring 32 confined within the said barrel, so that when the body 13 is moved against the resistance of the said spring 32 on manual release of the body it will be returned to normal position outwardly of the ear 11, and this movement through the engagement of the head 29 on the spring 28 causes the cap to become automatically closed onto the wick 25 to put out the flame when lighted.

What is claimed is:

1. A smoking pipe of the kind described, comprising a tobacco bowl, a supporting ear projecting from the exterior of the bowl away from the same, a lighting fluid container slidably fitted to the ear for movements toward and away from the bowl, a lighting wick exposed by the container, a movable cap for concealing and exposing the wick and carried by the container, means on the ear for automatically moving the cap to concealing position on shifting of the container in one direction, and effecting the opening of said cap when the container moves in a reverse direction, means for automatically moving the container in the said one direction, flint sparking means on the container, and means on the ear for operating the sparking means when the container is moved in a direction to have the cap expose the wick.

2. A smoking pipe of the kind described, com-

4

prising a tobacco bowl, a supporting ear projecting from the exterior of the bowl away from the same, a lighting fluid container slidably fitted to the ear for movements toward and away from the bowl, a lighting wick exposed by the container, a movable cap for concealing and exposing the wick and carried by the container, means on the ear for automatically moving the cap to concealing position on the shifting of the container in one direction, and effecting the opening of said cap when container moves in a reverse direction, means for automatically moving the container in the said one direction, flint sparking means on the container, and a tongue and grooved dove-tail fitting between the ear and container for the slidable connection therebetween.

PAUL TRUMAN IRESON.

#### REFERENCES CITED

The following references are of record in the file of this patent:

#### UNITED STATES PATENTS

Number	Name	Date
198,285	Fisher	Dec. 18, 1877
1,845,591	Eveleth	Feb. 16, 1932
1,855,524	Martini	Apr. 26, 1932
2,398,695	Cloutier	Apr. 16, 1946

#### FOREIGN PATENTS

Number	Country	Date
272,200	Germany	Mar. 27, 1914