

Dec. 9, 1947.

A. F. WARD, JR

2,432,265

LIGHTER

Filed May 17, 1946

Fig. 1.

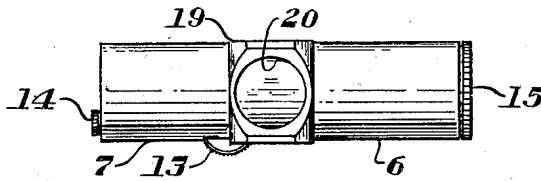


Fig. 2.

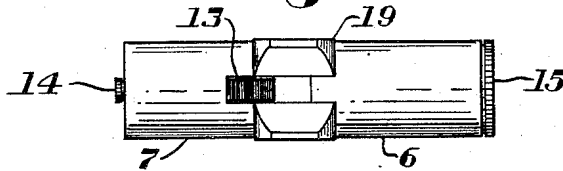


Fig. 3.

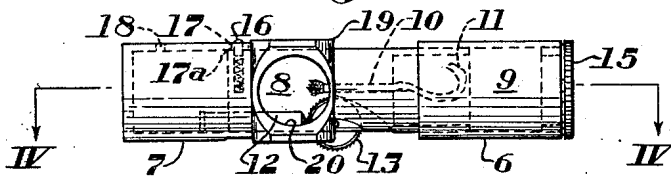


Fig. 4.

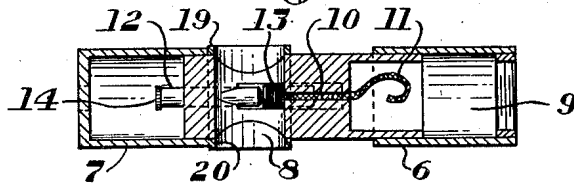
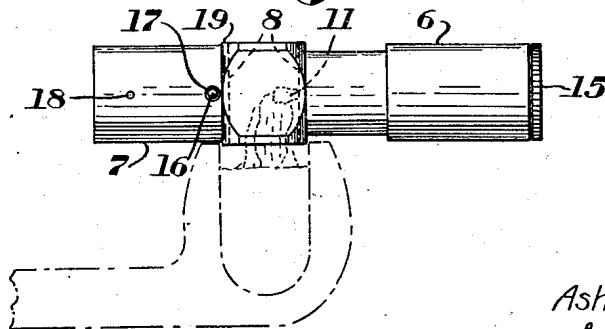


Fig. 5.



INVENTOR
Ashley F. Ward Jr.
by his attys.
Stebbins, Blunko + Webb.

UNITED STATES PATENT OFFICE

2,432,265

LIGHTER

Ashley F. Ward, Jr., Cincinnati, Ohio

Application May 17, 1946, Serial No. 670,564

4 Claims. (Cl. 67-7.1)

1

This invention relates to a lighter of the type which may be carried in a person's pocket and is useful for lighting cigars, cigarettes, smoking pipes, etc. My invention is particularly useful for lighting a pipe and therefore it will be described with reference thereto although it is to be understood that is a generally useful lighter.

In the drawings accompanying this application I have illustrated a present preferred embodiment of my invention in which:

Figures 1 and 2 are plan and front elevation views respectively of my lighter when it is not being used; and

Figure 3 is a plan view of my lighter ready for use; and

Figure 4 is a vertical section along the lines IV-IV of Figure 3; and

Figure 5 is a rear elevation of my lighter showing the manner in which it may be used to light a pipe.

Referring to Figures 1, 2, and 3 a lighter constructed in accordance with my invention comprises an elongated body 6 preferably circular in cross section and a cover 7 fitted over one end of the body 6 and capable of sliding back and forth therealong. A transverse passage is formed in that portion of the body 6 over which the cover 7 is fitted. It extends completely through the body 6 and provides a chimney 8 for the flame of the lighter as will hereinafter be described.

A fuel compartment 9 is formed in the end of the body 6 opposite from the cover 7 which, if desired, may be filled with packing, such as cotton, in the usual manner. A small longitudinal passage 10 is cut near the center of the body and connects the fuel compartment 9 and the chimney 8. It carries a wick 11 which thus extends from the fuel compartment into the central portion of the chimney 8. The body 6 also carries a flint holder 12 of usual construction and a friction wheel 13 in such a position that rotation of the wheel 13 throws sparks on the wick 11.

Flints in the flint holder 12 may be replaced by removing the knurled nut 14 threaded into the outer end of the flint holder 12 and the lighter may be refueled by removing the cap 15 threaded into the end of the body 6.

When the lighter is not in use the chimney 8 is closed at both ends by sliding the cover 7 inwardly along the body 6. When the lighter is to be used, the chimney 8 is opened by sliding the cover 7 outwardly. The cover 7 is held in position to open the chimney and is restrained from further outward movement by a spring loaded detent 16 which presses into a hole 17 in the cover

2

7. The outer side of the hole 17 is rounded as at 17a to depress the detent 16 when the cover 7 is moved inwardly. The detent 16 also yieldingly retains the cover 7 in its closed position by partially extending into a hole 18 in the cover which hole is of smaller diameter than the hole 17.

The inner end of the cover has a thickened portion 19 which surrounds the chimney 8 when the cover 7 is in its outer position. Diametrically opposed openings 20 are cut in the portion 19 and are so positioned as to coincide with the chimney 8. Moving the cover 7 to its outer position, therefore, not only opens the chimney but increases its effective height by forming a continuation of the walls of the chimney, particularly of those walls adjacent to the outer sides of the body 6 which are reduced in height by the curvature of the body. This thickened portion also facilitates opening the lighter as will be explained below.

The lighter may be operated with only one hand by folding the fingers around that end of the lighter having the fuel chamber 9 and flipping the cover 7 open by pressure of the thumb of the same hand against the portion 19 of the cover. Thereafter the same thumb is used to rotate the wheel 13 and throw sparks on and ignite the wick 11.

Figure 5 illustrates the particular usefulness of my lighter for lighting a pipe. The lighter is held so as to locate the chimney 8 over the center of the pipe bowl. The flame may then be drawn directly down on to the tobacco in the bowl together with the full amount of air required to ignite the tobacco. It should also be noted that the thickened portion 19 of the cover 7 extends slightly below the top of the pipe bowl. The top of the pipe bowl is thereby protected from direct contact with the lighter flame which would otherwise tend to char the top of the bowl.

As above noted the wick 11 is located near the center of the chimney 8. The walls of the chimney therefore protect the flame from the wind if the lighter is used outdoors. This position of the wick also provides adequate airspace between the wick and tobacco in the pipe to insure satisfactory combustion.

Cigars or cigarettes may be lighted by placing an end over the top opening of the chimney 8.

As appears from Figures 1 and 2 of the drawings, my lighter when closed forms a neat, compact article which can be readily carried in a small space. The wick is completely enclosed, thus preventing accidental ignition and minimizing evaporation of fuel. The lighter is of simple,

3

sturdy construction and, therefore, will give reliable operation at all times.

While I have shown and described the preferred embodiment of my invention it is to be understood that the invention is not limited thereto but may be otherwise embodied within the scope of the following claims.

I claim:

1. A lighter comprising an elongated body having a chimney extending transversely there-through, said chimney having substantially continuous and unbroken side walls and open ends at opposite sides of the body, a fuel compartment in the body, a wick extending through the body from the fuel compartment into the chimney through a side thereof, means positioned in a side wall of the chimney for igniting the wick, and a cover fitted over the body and capable of sliding therealong to open and close the ends of the chimney.

2. A lighter comprising an elongated body having a chimney extending transversely there-through, said chimney having substantially continuous and unbroken side walls and open ends at opposite sides of the body, a fuel compartment in the body, a wick extending through the body from the fuel compartment into the chimney through a side thereof, means positioned in a side wall of the chimney for igniting the wick, and a cover fitted over the body and capable of sliding therealong to open and close the ends of the chimney, said cover having openings therein which coincide with the ends of the chimney and increase its effective length when the cover is moved to open the chimney.

3. A lighter comprising an elongated body having a chimney extending transversely there-through, said chimney having substantially continuous and unbroken side walls and open ends at opposite sides of the body, a fuel compartment

4

in the body, a wick extending through the body from the fuel compartment into the chimney through a side thereof, a flint holder extending through a side of the chimney, a slot in the body lying in a plane transverse to the axis of the chimney and opening into the chimney, a friction wheel mounted in the slot to engage the flint and a cover fitted over the body and capable of sliding along the body to open and close the chimney.

4. A lighter comprising an elongated body including a solid section at one end thereof, a chimney extending transversely through said solid section, said chimney having substantially continuous and unbroken side walls and open ends at opposite sides of the body, a fuel compartment at one end of the body, a wick extending through the body from the fuel compartment into the chimney through a side thereof, means positioned in a side wall of the chimney for igniting the wick, and a cover fitted over the body and capable of sliding therealong to open and close the ends of the chimney.

ASHLEY F. WARD, JR.

REFERENCES CITED

The following references are of record in the file of this patent:

UNITED STATES PATENTS

Number	Name	Date
1,024,843	Everett	Apr. 30, 1912
1,360,202	Evans	Nov. 23, 1920
2,276,278	Abrams	Mar. 17, 1942
2,413,473	Sundby	Dec. 31, 1946

FOREIGN PATENTS

Number	Country	Date
222,752	Great Britain	Oct. 9, 1924
327,033	Germany	Oct. 8, 1920