

RESERVE COPY

PATENT SPECIFICATION



Convention Date (Germany) : Jan. 10, 1938.

Application Date (In United Kingdom) : Jan. 10, 1939.

Complete Specification Accepted : July 16, 1940.

523,514

No. 830/39.

COMPLETE SPECIFICATION

An Improved Pyrophoric Lighter

I, LOTTE VON FALKENBERG nee VON GLASENAPP, of 50 Pfalzburgerstrasse, Berlin-Wilmersdorf, Germany, a German citizen, do hereby declare the nature of this invention and in what manner the same is to be performed, to be particularly described and ascertained in and by the following statement:—

The invention relates to a pocket pyrophoric lighter, more particularly for lighting tobacco pipes.

The present invention provides a pocket pyrophoric lighter comprising a frame, and a fuel container pivotally mounted therein for outward pivotal movement in a direction such that the container moves laterally, broad side first, out from the frame and said movement carries the container away from the pyrophoric igniting mechanism, characterised in that the frame and container are so arranged that when they are closed together the former affords access by a finger to the latter whereby the latter may be swung outwards by a finger of the hand in which the lighter is supported. It is thereby possible to hold the lighter with two fingers of one hand, for example the thumb and middle finger, while the index finger may be used for tilting the fuel container out of the frame. It can therefore be operated with one hand, which is particularly desirable for lighting tobacco pipes.

The manual outward movement of the container is desirably effected against spring pressure.

In order that the invention may be better understood, reference will now be made to the accompanying drawing, in which

Figure 1 shows a side view of a lighter according to this invention with the extinguishing cap carrier raised and fuel container pivoted outwardly.

Figure 2 shows a plan of the lighter with the said parts in the same attitudes.

Figure 3 shows a front end view of the closed lighter.

Figure 4 shows diagrammatically a plan of another lighter, the igniting device being omitted for the sake of clarity.

In these Figures, *a* is the frame, *b* the fuel container, which is mounted to pivot outwardly about the pins *c* or the like, *d* the wick holding tube, *e* the wick, *f* a spring, *g* the cover plate with a recess *h* for receiving the wick holding tube *d*, *i* the igniting device comprising a friction wheel, driving wheel, and the flint which is pressed by spring force against the friction wheel and *k* is the extinguishing and closure cap the supporting arm *l* of which is pivoted about the axis *m* and is held in the closed position by the spring *n*. The extinguishing and closure cap *k* is constructed in such a manner as to prevent unintentional outward pivoting of the fuel container *b* (the wick tube *d* being secured in the cap *k* when the lighter is closed).

Since the fuel container *b* is mounted in the frame at its narrow sides (by means of the pins *c*) it therefore presents a wide or broad side or face outwards and a like side to a finger of the hand that may be inserted through an aperture at the back of the frame, Fig. 1. Consequently the container may be pressed out of the frame by a finger of that same hand which holds the lighter. In this pivotal movement the container moves broad face first, or laterally.

The spring *f* is so constructed or arranged that the fuel container is automatically returned to the normal position.

It is not essential, in order to secure the outward pivoting of the fuel container, that the pins *c* or the like shall, as shown in the drawing, be disposed at or near the extreme end of the container or frame, for the pivotal axis may be given any other suitable or expedient location, providing always that it is substantially normal to the narrow sides of the container and parallel to the broad sides thereof so that said container moves laterally, broad side first.

Figure 4 shows one arrangement that may be adopted, the common axis of the pins *c* being vertical. This Figure is diagrammatic, and since it is only intended to illustrate the arrangement of the pivot pins and the consequent direction of movement of the container, all

[Price 1/-]

details are omitted.

Having now particularly described and ascertained the nature of my said invention and in what manner the same is to be performed, I declare that what I claim is:—

1. A pocket pyrophoric lighter comprising a frame, and a fuel container pivotally mounted therein for outward pivotal movement in a direction such that the container moves laterally, broad side first, out from the frame and said movement carries the container away from the pyrophoric igniting mechanism, characterised in that the frame and container are so arranged that when they are closed together the former affords access by a finger to the latter whereby the latter may be swung outwards by a finger of the hand

in which the lighter is supported.

2. A lighter according to Claim 1, wherein the manual outward movement of the container is effected against spring pressure.

3. A lighter according to either of the preceding claims, wherein the frame has an aperture at the back through which the finger may be inserted to press the container out.

4. A pocket pyrophoric lighter, substantially as described herein with reference to the accompanying drawing.

Dated this 10th day of January, 1939.

LOTTE VON FALKENBERG by
ERIC POTTER & CLARKSON,
Chartered Patent Agents,
London and Leicester.

[This Drawing is a reproduction of the Original on a reduced scale.]

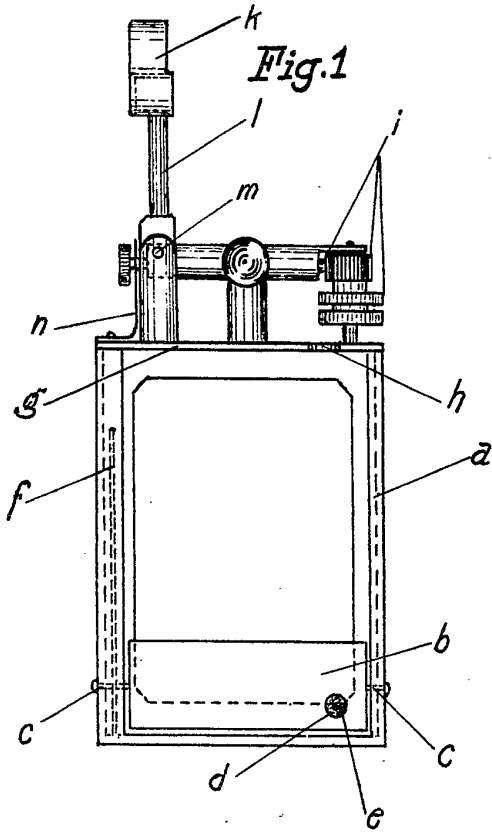


Fig. 1

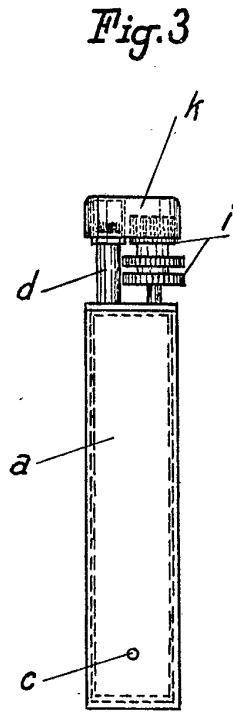


Fig. 3

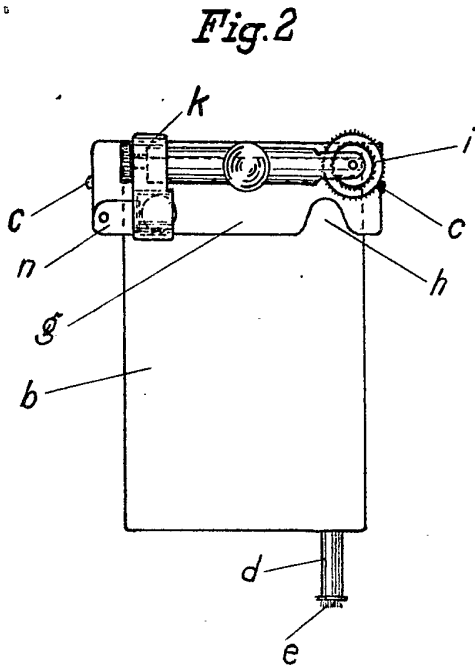


Fig. 2

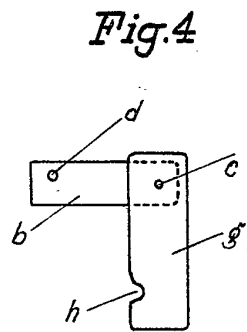


Fig. 4