

COPY

# PATENT SPECIFICATION



Convention Date (Switzerland): March 4, 1935.

448,832

Application Date (in United Kingdom): Jan. 6, 1936. No. 430/36.

Complete Specification Accepted: June 16, 1936.

## COMPLETE SPECIFICATION

### Improvements in Pyrophoric Lighters

We, HERMANN THORENS SOCIÉTÉ ANONYME, a body corporate organized under the laws of Switzerland, of Sainte-Croix, Vaud, Switzerland, do hereby declare the nature of this invention and in what manner the same is to be performed, to be particularly described and ascertained in and by the following statement:—

10 The present invention relates to pyrophoric lighters of the type having a lighter body and a hingedly connected cover which is pivoted at its back end on a blade-spring and arranged to enclose the friction wheel and the projecting end of the wick, when the lighter is not in use.

15 According to the invention the hinge pin, engaged in the back end of the cover member, traverses two lateral bent up portions of one end of the blade-spring which has its other end secured to the lighter body, and which acts on the hinge pin to apply the back end of the cover member against the lighter body.

20 The accompanying drawings represent by way of example a pyrophoric lighter according to the invention.

25 Figures 1, 2 and 3 show a side elevation of the lighter with the cover in closed, half open and completely open position, respectively.

30 Figure 4 is a top view of the lighter with the open cover shown in section.

35 The represented lighter comprises a body 1 and a cover 2. The body 1 carries a tube 3 containing the wick 4, and a friction wheel 5 operable by hand. A ferrocium stone 7 is applied against the wheel 5 by a spring acting on a plunger 6.

40 A blade-spring 8 has its front part sur-

sounding the tube 3 and is secured with its end to the lighter body by a screw 9 placed in front of the tube 3. At its back end the spring 8 is provided with two lateral vertical ears 10 which are traversed by a hinge pin 11 having its two ends engaged in the back end 12 of the cover 2.

45 The spring 8 acts on the hinge pin so as to apply the lower edge 13 of the back portion 12 of the cover against the body of the lighter. When the cover is in closed position the spring tends therefore to maintain it closed without requiring the cover to be locked by a bolt. During opening of the cover the back corner of the edge 13 is applied against the lighter body as shown in Fig. 2, and when the cover is completely open as represented in Fig. 3 the rear wall 14 of the cover is applied against the body of the lighter.

55 Having now particularly described and ascertained the nature of our said invention and in what manner the same is to be performed, we declare that what we claim is:—

60 1. A pyrophoric lighter having a lighter body and a cover member pivoted at its back end on a blade-spring, characterized in that the hinge pin, engaged in the back end of the cover member, traverses two lateral bent up portions of one end of the blade-spring which has its other end secured to the lighter body, and which acts on the hinge pin to apply the back end of the cover member against the lighter body.

65 2. The improved pyrophoric lighter substantially as described and as represented in the accompanying drawings.

70 Dated this 6th day of January, 1936.

75 MARKS & CLERK.

80 Leamington Spa: Printed for His Majesty's Stationery Office, by the Courier Press.—1936.

[Price 1/-]

[This Drawing is a reproduction of the Original on a reduced scale.]

Fig. 1

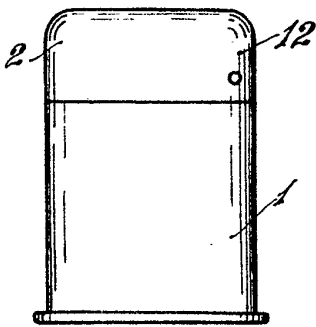


Fig. 2

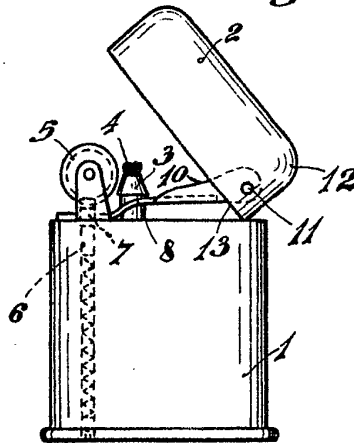


Fig. 3

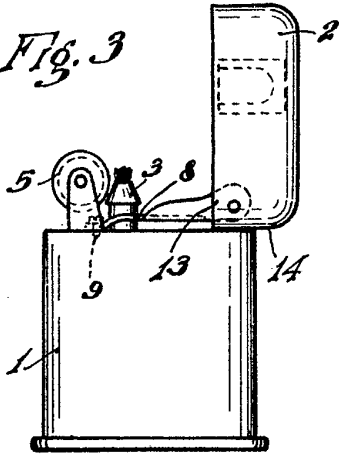


Fig. 4

