

Application Date : Aug. 26, 1935. No. 23899/35.

Complete Specification Accepted : Dec. 6, 1935.



COMPLETE SPECIFICATION

An Article of Use composed of a Watch and a Pocket Lighter in a Decorative Casing

I, CHARLES SIMON, of Vaduz, Liechtenstein, a citizen of the principality of Liechtenstein, do hereby declare the nature of this invention and in what manner the same is to be performed, to be particularly described and ascertained in and by the following statement:—

This invention relates to an article of use composed of a watch and a pocket lighter in a decorative casing which is characterized in that a watch and pocket lighter are so united that the lighter which wears out quickly is easily removable. According to the invention the article of use is composed of a flat ornamented casing comprising a lower closed compartment in which a watch is mounted and of an upper open compartment in which a pocket lighter is removably inserted.

An embodiment of the invention is illustrated in the accompanying drawing in which:—

Fig. 1 shows the article of use in front elevation.

Fig. 2 shows in the position for lighting the pocket lighter designed to be slipped into the casing.

Fig. 3 shows in front elevation the casing without watch and pocket lighter.

Fig. 4 shows the lower portion of the article of use in section.

A flat prismatic casing 2 closed at the lower end by a bottom plate 1 has a horizontal partition 3 by which a lower compartment 2' of uniform height and width is separated from the upper portion open at the top end. In an aperture in the front wall of the closed compartment 2' of the casing a frame 5 with a glass 4 is fitted. In the lower compartment 2' a plate 6 bent in U-shape is inserted which has a circular aperture in which a watch 7 is fitted. A winding arbor 8 carrying a knob 9 on its outer end extends through the bottom plate 1 and the horizontal part of the plate 6 and is securely held in the watch 7 by means of a set screw 8'. To give access to the screw 8' a hole 10 coaxial with the set screw 8' is provided in the rear wall of the casing. This bore 10 is closed

by a screw 10' which is screwed into the short vertical part of the U-shaped plate 6. In the upper open portion of the flat casing 2 a pocket lighter 11 is slipped from above. This pocket lighter comprises a lid 15 adapted to be swung about an axle 14 by means of a pressing element 13 oscillatable about an axle 12 so that this lid actuates the lighting mechanism. A curved recess 16 in the narrow rear end of the flat casing 2 affords access to the pressing element 13. The upper edge of the casing 2 is cut out at 17 within the range of the lid 15 to give access to the wick of the pocket lighter 11 after the lid has been opened. The casing 2 may be decorated on its outer surfaces in any desired manner.

Having now particularly described and ascertained the nature of my said invention, and in what manner the same is to be performed, I declare that what I claim is:—

1. An article of use composed of a flat decorated casing, a watch and a pocket lighter, characterized in that the exchangeable pocket lighter is removably mounted in the upper compartment of the casing open at the top end, and that the watch is accommodated in the lower compartment which is closed on all sides.

2. An article of use as claimed in claim 1, characterized in that the lower compartment of the casing accommodating the watch has a glazed aperture in the front wall and the rear wall a hole coaxial with a screw serving for holding the winding arbor of the watch, this hole being closed by a cover screw.

3. An article of use as claimed in claim 1, characterized in that the upper portion of the flat casing open at the top and holding the pocket lighter has a curved recess in its rear narrow end allowing access to the pressing element for the lid of the pocket lighter, and its upper end is cut out at the front corner to give access to the wick of the pocket lighter when the lid has been swung into the open position for lighting.

Dated this 26th day of August, 1935.

FRANCIS HERON ROGERS,
Agent for Applicant,
Bridge House,
181, Queen Victoria Street,
London, E.C.4.

Leamington Spa: Printed for His Majesty's Stationery Office, by the Courier Press.—1936.

Fig. 1

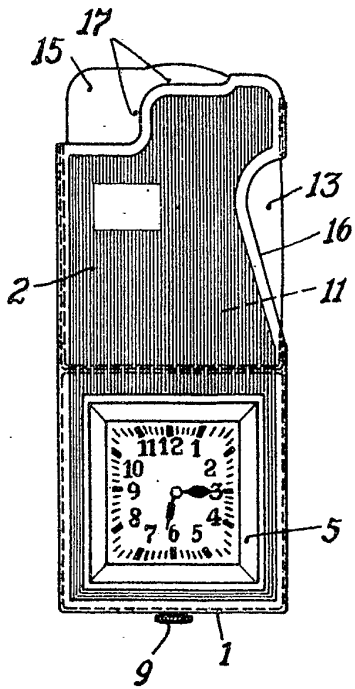


Fig. 2

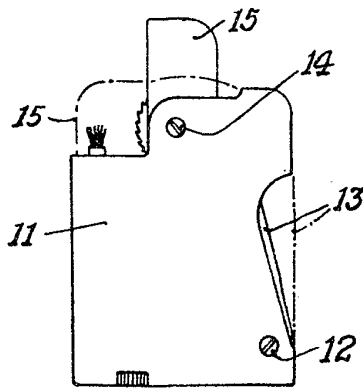


Fig. 3

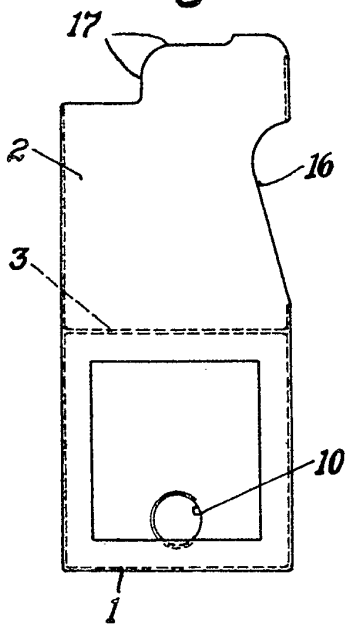
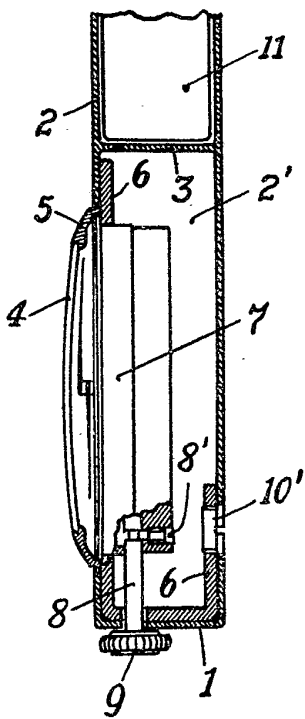


Fig. 4



[This Drawing is a reproduction of the Original on a reduced scale.]