

PATENT SPECIFICATION



Convention Date (Germany): July 13, 1931.

379,532

Application Date (in United Kingdom): Sept. 24, 1931. No. 26,690/31.

Complete Accepted: Sept. 1, 1932.

COMPLETE SPECIFICATION.

Improvements in Automatic Pyrophoric Pocket Lighters.

I, HEINRICH BÖHME, Offenbacherstr. 10., Rumpenheim a.M., Germany, a German citizen, do hereby declare the nature of this invention and in what manner the same is to be performed, to be particularly described and ascertained in and by the following statement:—

This invention relates to automatic pyrophoric pocket lighters of the type in which a pivoted spring actuated wick cover associated with a flint engaging wheel is released whilst under spring tension to operate the flint engaging wheel and ignite the wick. In lighters of this type it has previously been proposed to employ a bell crank lever adapted normally to engage under the rear edge of the pivoted spring-pressed wick cover for retaining the latter in the closed position and to release the cover on being rocked against the action of a spring.

An object of the present invention is to provide an inexpensive and efficient lighter readily operated by either hand and which is free from projecting parts liable to damage the pockets of the clothes.

According to this invention the pivoted spring pressed wick cover is adapted to be freed by the displacement of a laterally disposed button or buttons, the said button or buttons being associated with a spring pressed bell crank lever, one end of which normally engages under the rear edge of the wick cover to maintain it in closed position.

An embodiment of the invention is shown by way of example in the accompanying drawings wherein:—

Fig. 1 is a side view in the closed condition.

Fig. 2 is a side view in the open condition.

Fig. 3 is a partial section through the operating and ignition apparatus.

Fig. 4 is a plan in the closed condition, and

Fig. 5 is a side view with the front operating button omitted.

1 is the fuel container on which a trough 9, that is open at the top, is

soldered. The wick cover 2 is rotatable or adapted to be opened about an axle 3 fixed in the trough 9 and is retained in the closed position by the bell-crank lever 4, rotatable about the axle 5, engaging it under its rear end. The stems 8 of two operating buttons 6 and 7 pass through two slots 10 located in the sides of the trough 9 and are operatively associated with the lever 4. Both the wick cover and the lever 4 are under spring action, in the direction of the arrows as shown.

The wick cover 2 is further provided with any desired known device which causes the ignition wheel to be driven round only on its springing up.

The arrangement is such that by pulling down the operating buttons 6 and 7, the wick cover 2 which, is retained in its closed position against the action of its spring by the lever 4 engaging beneath its rear end, snaps up by spring action, to uncover the wick and effect ignition. The closing of the wick cover 2 is effected by pressing it to by hand, when the lever 4 again engages beneath its rear end and keeps it in the closed position.

Having now particularly described and ascertained the nature of my said invention and in what manner the same is to be performed, I declare that what I claim is:—

1. An automatic pyrophoric pocket lighter in the type specified in which the spring pressed wick cover is adapted to be freed by the displacement of a laterally disposed button or buttons which is or are associated with a spring-pressed bell crank lever, one end of which normally engages under the rear edge of the wick cover to maintain it in closed position.

2. An automatic pyrophoric pocket lighter, substantially as described with reference to the accompanying drawings.

Dated this 24th day of September, 1931.

REGINALD W. BARKER & Co.,
Applicant's Agents,
56, Ludgate Hill, London, E.C. 4.

[This Drawing is a reproduction of the Original on a reduced scale.]

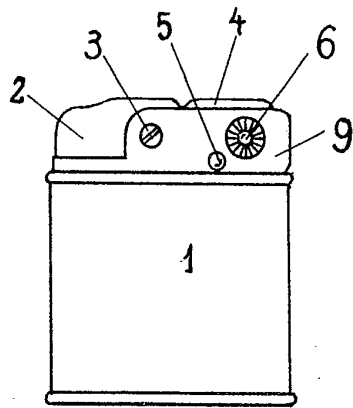


Fig. 1.

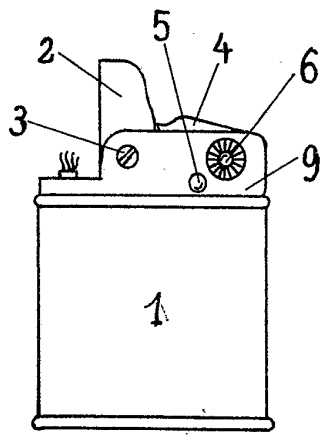


Fig. 2.

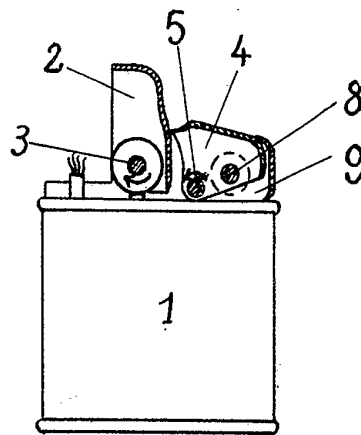


Fig. 3.

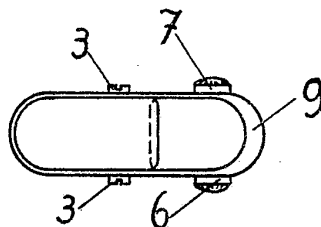


Fig. 4.

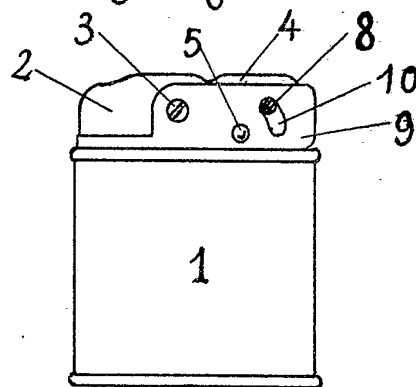


Fig. 5.