

PATENT SPECIFICATION



Convention Date (Switzerland): Aug. 1, 1930.

376,506

Application Date (in United Kingdom): July 20, 1931. No. 20,753/31.

Complete Accepted: July 14, 1932.

COMPLETE SPECIFICATION.

Improvements in Pyrophoric Lighters.

We, HERMANN THORENS, SOCIÉTÉ ANONYME, of Sainte Croix, Switzerland, a Swiss Company, do hereby declare the nature of this invention and in what manner the same is to be performed, to be particularly described and ascertained in and by the following statement:—

The subject of the present invention is a pyrophoric lighter comprising a wick mounted in a tube and a movable cover carrying a spring actuated cap for the wick tube.

According to this invention, the cap is provided with two lateral journals movable in upwardly opening slots formed in a supporting member surrounding the cap and fixed to the cover, the spring acting on the cap having one of its ends attached to the cap and abutting with its other end against the bottom of the cover.

The accompanying drawing represents, by way of example, an embodiment of a lighter according to the invention.

The Figures 1 and 2 are two views in elevation, partly drawn in section, showing the cover in open and closed position, respectively. The figure 3 is a section through III—III of Fig. 1.

The embodiment shown comprises a lighter body 1 upon which there is rotatably mounted, at 2, a cover 3 which, by the intermediary of a hook 4, articulated at 5 to the cover, causes rotation, in known manner, of the friction wheel 6 on which bears the ferrocium stone 7 carried in a holder 7a fixed to the inner face of the wall of the casing 1. The wick 8 is contained in an inclined sliding tube 9, capable of being raised by actuating a toothed wheel 10. The cover 3 carries a cap 11, destined to exactly cover, in closed position of the cover 3, the end of the tube 9. This cap carries two journals 12 capable of turning and sliding in two upwardly opening slots 13 of a U-shaped piece 14 surrounding the cap and fixed to the cover. 15 is a spring, of which one end is fixed to the upper part of the cap 11 while the other end abuts against the bottom of the cover 3. The cap 11 can therefore turn about the axis of the journals 12 which can slide against the action of the spring 15. The U-

shaped piece 14 presents a shoulder 16 adapted to engage with a hook 17 which may be provided on a spring actuated member 20 sliding in the lighter body 1 and to which member is also secured a tube 18. The tube 18 is internally threaded to engage a threaded actuating member 19 upon which pressure may be exerted when it is screwed to a position shown in Fig. 1 to move the member 20 carrying the hook 17 inwards relative to the lighter body to disengage the shoulder 16. When the member 19 is screwed into the tube 18 as shown in Fig. 2 the member 20 and therefore the hook 17 cannot be moved as then the inner end of the screw member 19 abuts against a fixed tube 9b containing the slidable wick tube 9.

When the cover 3 is closed, the interior edge 11a of the cap comes to fit exactly on the conical part 9a of the tube 9, while inclining slightly, as shown in Fig. 2. In this position, the spring 15 is slightly compressed, whereby a perfect tightness is maintained between the cap 11 and the tube 9. In order to place the cap 11 into the cover 3, it suffices, after having fixed the piece 14 in the latter, to compress the spring in the bottom of the cover by pressing strongly on the cap and by introducing the journals 12 into the slots 13.

It is to be understood that the invention is not limited to what is represented on the drawing. Particularly it could also be applied to lighters having fixed and not inclined wick tubes.

Having now particularly described and ascertained the nature of our said invention and in what manner the same is to be performed, we declare that what we claim is:—

1. A pyrophoric lighter comprising a wick tube and a movable cover carrying a spring actuated cap for the wick tube, characterised by the fact that the cap is provided with two lateral journals movable in upwardly opening slots formed in a supporting member surrounding the cap and fixed to the cover, the spring acting on the cap having one of its ends attached to the cap and abutting with its other end against the bottom of the cover.

[Price ~~£~~]

2. The improved pyrophoric lighter,
substantially as described and as shown
in the accompanying drawing.

Dated this 20th day of July, 1931.

MARKS & CLERK.

Redhill: Printed for His Majesty's Stationery Office, by Love & Malcomson, Ltd.—1932.

[This Drawing is a reproduction of the Original on a reduced scale.]

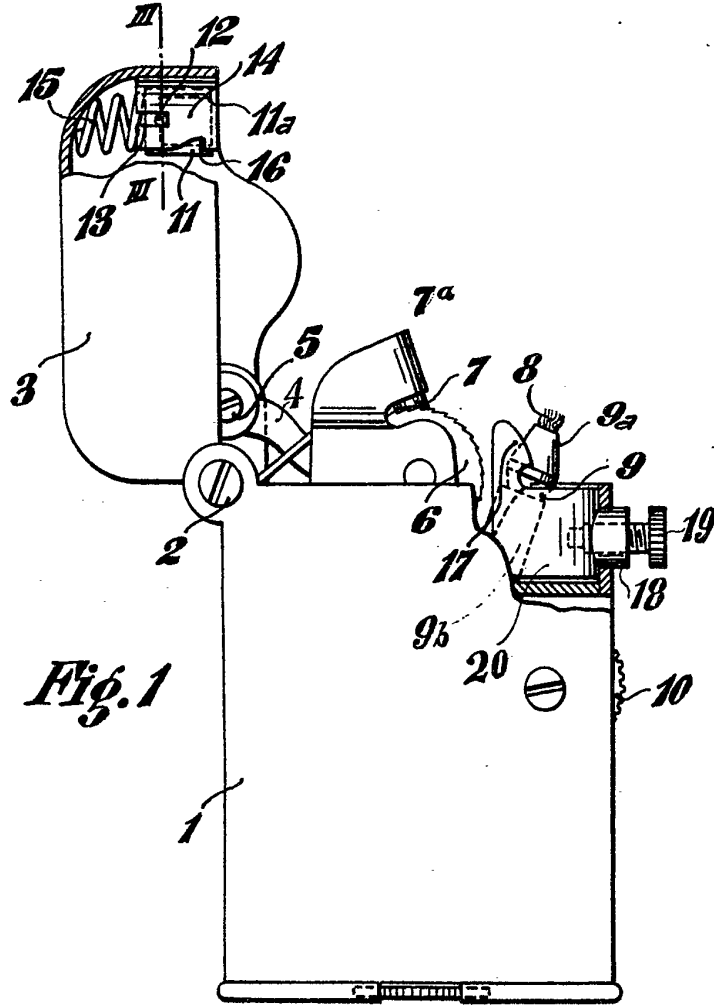


Fig. 1

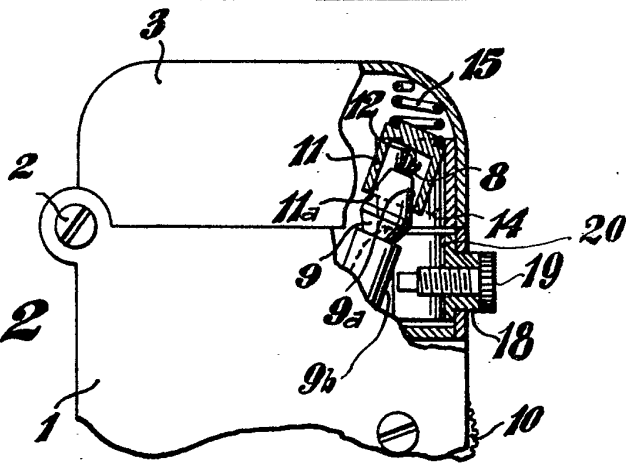


Fig. 2

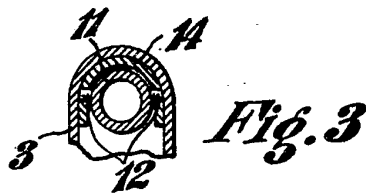


Fig. 3