

PATENT SPECIFICATION



Application Date: Dec. 16, 1930. No. 37,916/30.

369,272

Complete Accepted: March 16, 1932.

COMPLETE SPECIFICATION.

Combined Watch and Pyrophoric Lighter.

I, HERMANN SOMMER, of Delemont, Switzerland, Swiss Nationality, do hereby declare the nature of this invention and in what manner the same is to be performed, to be particularly described and ascertained in and by the following statement:—

The present invention has for its object an improved combined watch and pyrophoric lighter having a lighter and watch casing which is characterised in that it comprises an intermediate fitting frame formed of a box and an annular piece connected by a stirrup fitting over the winding knob of the watch.

In the accompanying drawings,

Fig. 1 shows the perspective view of the intermediate frame which contains the watch and the lighter,

Fig. 2 shows a similar view of the detached pieces of a variation,

Fig. 3 represents another variation in detail.

The principal element comprises in all forms of embodiment an intermediate fitting frame formed of a box 13 and an annular piece 13¹ connected thereto by a stirrup 12. The annular piece 13¹ contains an ordinary watch 11, the winding knob 10 thereof resting under the stirrup 12, whilst the elongated box 13 contains the pyrophoric lighter elements.

According to fig. 1 the lighter similar to that shown in Fig. 2 at 14, is introduced in such a way that its part 18 adapted to

coact with the pyrophoric stone 15 and containing the wick 17 is directed downwards, with the difference that its bottom part forms a handle 14¹. The casing 13 is provided with the pyrophoric stone 15. When introducing the lighter into the casing 13 the handle 14¹ fits in the latter by friction.

In Fig. 2, 13 is again the intermediate fitting frame connected to the annular piece 13¹ by the stirrup 12. The lighter 14, 17, 18 is however introduced in the upward position into the casing 13 which is again closed by the cover 1 on which is fitted the stone 15. In fig. 3 the corresponding elements are designated by the same numerals and the only difference resides in that the ignition takes place by means of a wheel.

Having now particularly described and ascertained the nature of my said invention and in what manner the same is to be performed, I declare that what I claim is:—

A combined watch and pyrophoric lighter having a lighter and watch casing characterised by the fact that it comprises an intermediate fitting frame formed of a box (13) and an annular piece (13¹) connected by a stirrup (12) fitting over the winding knob (10).

Dated this 16th day December, 1930.

CHATWIN & COMPANY,
253, Gray's Inn Road, London, W.C.1.
Patent Agents for the Applicant.

[This Drawing is a reproduction of the Original on a reduced scale.]

Fig. 1

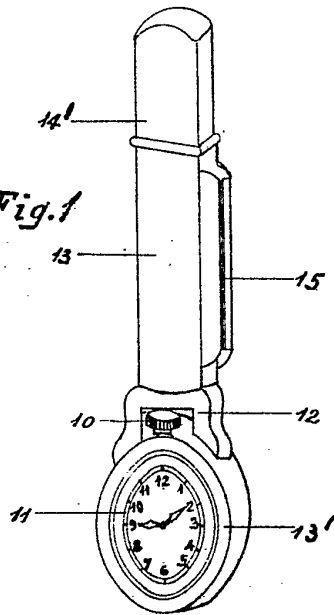


Fig. 2

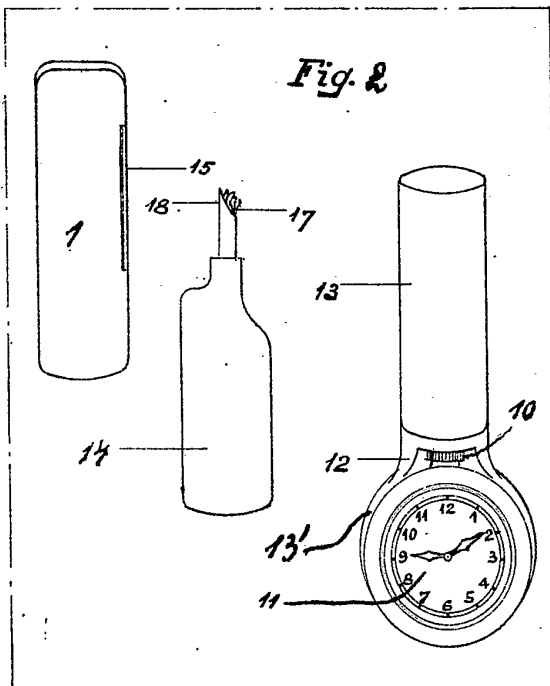


Fig. 3

