

RESERVE COPY

PATENT SPECIFICATION



Convention Date (Germany) : April 14, 1930.

367,621

Application Date (in United Kingdom) : April 14, 1931. No. 11,090 / 31.

Complete Accepted : Feb. 25, 1932.

COMPLETE SPECIFICATION.

Improvements in and relating to Pocket Lighters.

We, HERMANN THORENS SOCIETE ANONYME, of Sainte-Croix, Switzerland, a Company organized under the laws of Switzerland, do hereby declare the nature of this invention and in what manner the same is to be performed, to be particularly described and ascertained in and by the following statement:—

This invention relates to pocket lighters of the type in which a liquid fuel supplied wick is ignited by cooperating abrading and pyrophoric elements. Such lighters are particularly suitable for lighting cigars and cigarettes but are inconvenient for lighting pipes because usually the wick tube extending from the lighter body is not sufficiently long that the flame can be made to enter into the pipe bowl for lighting of the tobacco contained therein.

The object of the present invention is to provide a pocket lighter with a wick tube which is capable of being raised out of the lighter body.

According to the invention the wick tube is provided with a rack meshing with a manually operable pinion projecting from the lighter body.

The accompanying drawing illustrates by way of example one embodiment of the invention.

Figure 1 is a fragmentary side elevation of the lighter with the wick tube in raised position.

Figure 2 is a fragmentary view of the lighter in section.

The illustrated lighter comprises a casing 1 forming the fuel reservoir. Upon this casing there may be mounted in well known manner cooperating abrading and

pyrophoric elements which are not shown. 40

The wick 2 extends through a tube 3 slidably mounted within an outwardly inclined tube 4 fixed to the casing 1. The wick tube 3 is provided with a rack 5 meshing with a pinion 6 which partly projects from the casing 1 and which can be rotated by a finger of the hand holding the lighter. 45

Normally the wick tube 3 projects only slightly from the casing so that the free end 7 of the wick 2 is situated in proximity of the spark producing element. When it is desired to light a pipe the wick end 7 is ignited in ordinary manner and then the pinion 6 is turned in order to raise the tube 3 out of the casing 1 into the position shown in Fig. 1. The end 7 of the wick can then be brought into the interior of a pipe bowl to ignite the tobacco. The reverse movement of the pinion 6 brings the wick tube back into the casing 1. 50 55 60

Having now particularly described and ascertained the nature of our said invention and in what manner the same is to be performed, we declare that what we claim is:— 65

1. A pyrophoric lighter having a movable wick tube, characterised by the feature that the wick tube is provided with a rack meshing with a manually operable pinion projecting from the lighter body. 70

2. The improved pyrophoric lighter, substantially as described and as illustrated in the accompanying drawing. 75

Dated this 13th day of April, 1932.
MARKS & CLERK.

[This Drawing is a reproduction of the Original on a reduced scale.]

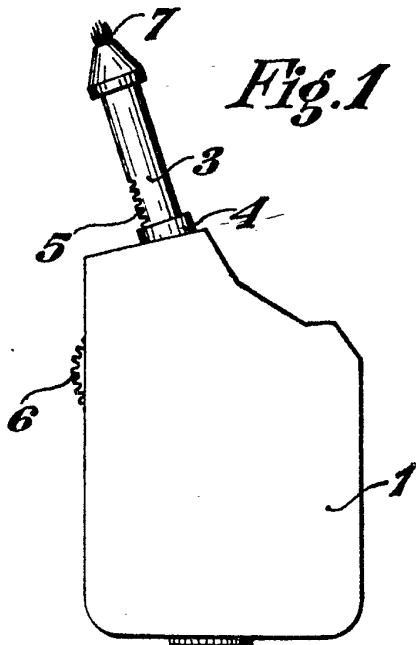


Fig. 1

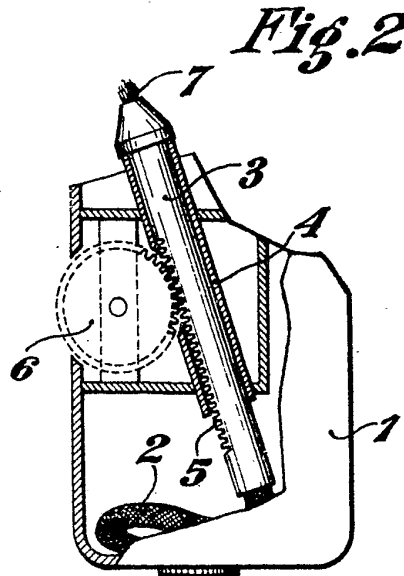


Fig. 2