

# RESERVE COPY PATENT SPECIFICATION

359,052

Application Date: July 19, 1930. No. 21,888/30.

Complete Left: April 17, 1931.

Complete Accepted: Oct. 19, 1931.

PROVISIONAL SPECIFICATION.



## Improvements in or relating to Cigar and like Lighters.

We, HORACE DALBY GOODE, of 30, Newgate Street, London, E.C. 1, of British Nationality, and ERIC D'ERESBY Moss, of 73, Castellain Mansions, Maida Vale, London, W. 9, of British Nationality, do hereby declare the nature of this invention to be as follows:—

This invention relates to cigar and like lighters, and has among its objects to provide such lighters of a simple and inexpensive construction and in such manner that the cigar or the like may be very conveniently lit without the necessity of its being held by the hand in position for the purpose.

According to the invention the device is provided in such manner that the cigar or the like is held supported by and within the device with the end of the cigar in contact with an electrical resistance element adapted to be momentarily heated, or with a suitable surface heated thereby, and means are provided by which the circuit of the electric resistance element may be closed so that the end of the cigar may be heated and ignited while being thus held in position.

The invention comprises the features which are hereinafter described.

In carrying the invention into effect according to one construction the device may take the general form of a push button switch, the device being however provided with an upwardly extending part that has a substantially vertical hole or cavity within it, into which the end of the cigar may be inserted, and in the lower part of the hole or cavity the electric resistance element or the suitable surface heated thereby, may be provided so that the end of the cigar may rest supported in contact with an incandescent or heated surface while in position within the hole or cavity.

The device may advantageously be made of two principal parts of any suitable material such for example as a phenol-formaldehyde condensation product or other thermo-plastic or other thermal setting substance, one being a base part conveniently provided with integral lugs by which it may be secured in position in

[Price 1/-]

which it is to be permanently set by means of screws or other more or less permanent means of attachment, while the second or outer part may correspond in shape to the base part and in a central position be provided with a push button by means of which an internal switch may be closed on pressure being applied upon the press button. The outer part thus provided is in one position provided with a cavity which on the outer part being screwed or otherwise applied in position upon the base part, is disposed substantially vertical. The base part may be provided with two integral outwardly protruding parts on its face that are adapted at their front faces for the reception of a switch conveniently formed as a strip of metal, the strip of metal thus extending across the space between the protruding parts, while the top faces of the latter may have applied upon them a sheet of mica or other insulating material, and upon the insulating material a short length of electric resistance wire such as ni-chrome wire, which may be connected to pins mounted respectively upon the protruding parts referred to. The leads are so connected that the current passes through the electric resistance wire on the closure of the circuit by the strip of metal of the switch under the pressure imposed upon the press button.

It will be understood that when the outer part of the device is applied to the base part and the base part assumes its final position the electric resistance wire may lie immediately beneath the substantially vertical cavity or hole therein, so that thus on passing the end of the cigar into the cavity or hole, its end may rest in contact with the electric resistance wire or other heated surface and may thus be ignited on the closure of the electric circuit by the press button.

The outer part of the device may at its lower part be provided with openings by which air may be accessible to the lower part of the hole or cavity referred to, and its upper part may be suitably formed to provide the hole or cavity of sufficient length to support the cigar or the like in position therein.

55

60

65

70

75

80

85

90

95

100

105

Dated the 19th day of July, 1930.

EDWARD EVANS & Co.,  
27, Chancery Lane, London, W.C. 2,  
Agents for the Applicants.

### COMPLETE SPECIFICATION.

#### Improvements in or relating to Cigar and like Lighters.

We, HORACE DALBY GOODE, of 30, Newgate Street, London, E.C. 1, of British Nationality, and ERIC D'ERESBY MOSS, of 73, Castellain Mansions, Maida Vale, London, W. 9, of British Nationality, do hereby declare the nature of this invention and in what manner the same is to be performed, to be particularly described and ascertained in and by the following statement:—

This invention relates to cigar and like lighters of the kind comprising a two part casing within which is supported an electrical resistance element and which is formed to support a cigar or the like in a position with the end to be ignited adjacent the said electrical resistance element. The invention has among its objects to provide such lighters of a simple and inexpensive construction and in such manner that the cigar or the like may be very conveniently lit without the necessity of its being held by the hand in position for the purpose.

According to the invention the lighter is provided with a casing comprising a base member and a cover, the base member being formed with a support or supports for the electrical resistance element, and the cover carrying a switch operating device and being provided with a hole or cavity into which the end of the cigar or the like may be inserted and being so formed that when applied in position upon the base member the hole or cavity is disposed in the required relation to the electrical resistance element.

The invention further comprises the features which are hereinafter described.

The invention is illustrated, by way of example, in the accompanying drawings.

Figure 1 is a view of the base part, the outer part of the device being removed, partly in section, to an enlarged scale.

Figure 2 is a vertical cross-section of the device.

Figure 3 is a transverse cross section of the device.

In carrying the invention into effect according to the construction represented in the accompanying drawings, the device may take the general form of a push button switch, the outer part *a* of the device being, however, provided with an upwardly extending part *a*<sup>1</sup> that has a

substantially vertical hole or cavity *a*<sup>2</sup> within it, into which the end of the cigar or the like may be inserted, and below the hole or cavity the electric resistance element *b* or the like is provided so that the end of the cigar or the like may rest supported in contact with the incandescent element while in position within the hole or cavity *a*<sup>2</sup>.

The device is advantageously made of two principal parts of any suitable material, such, for example, as a phenol-formaldehyde condensation product or other thermo-plastic or other thermal setting substance, one *c* being a base part conveniently provided with integral lugs *c*<sup>1</sup> by which it may be secured in position in which it is to be permanently set by means of screws or other more or less permanent means of attachment, while the second or outer part *a* corresponds in shape to the base part *c* and in a central position is provided with a push button *d* by means of which an internal switch may be closed on pressure being applied upon the press button. The outer part thus provided is in one position formed with the cavity *a*<sup>2</sup> which on the outer part being screwed or otherwise applied in position upon the base part, is disposed substantially vertical. The base part is provided with two integral outwardly protruding parts *e*, *f*, on its face that are adapted at their front faces for the reception of a switch conveniently formed as a strip of metal *g* secured by a screw to the part *e* and extending across the space between the protruding parts and a second strip of metal *h* bent to an angle and disposed partly on the top face and partly on the front face of the part *f*, so that the strip *g* may contact therewith, while the top faces of the parts *e*, *f* have applied upon them a sheet of mica or other insulating material *i*, secured by means of screws *j* with nuts, the one of which screws serves also to retain in position the metal strip *h*. Upon the insulating material the resistance element *b* in the form of two short lengths or a single length, of electric resistance wire, such as ni-chrome wire, are positioned at an angle in holes in the material *i* and are connected to metal sockets or eyes *k* in the material *i* and respectively engage over the screws *j* in

the protruding parts *e, f*. The leads *l, m* are so connected that the current passes through the electric resistance wire *b* on the closure of the circuit by the strip of metal *g* of the switch under the pressure imposed upon the push button *d* through the spring *n*.

It will be understood that when the outer part of the device is applied to the base part and the base part assumes its final position the electric resistance wire may lie immediately beneath the substantially vertical cavity or hole therein, so that thus on passing the end of the cigar into the cavity or hole, its end may rest in contact with the electric resistance wire and may thus be ignited on the closure of the electric circuit by the push button.

The outer part *a* of the device may at its lower part be provided with openings *a<sup>3</sup>* and similarly the insulating material *i* with holes *i<sup>1</sup>* by which air may be accessible to the lower part of the hole or cavity referred to, and upper part *a<sup>1</sup>* of the outer part *a* may be suitably formed to provide the hole or cavity of sufficient length to support the cigar or the like in position therein.

The electric resistance element may serve alternatively to heat a surface of suitable material, such as silica, with which the cigar or the like may be brought into contact instead of contacting directly with the resistance element. Again, the device may be of such design that the cigar or the like is inserted into it at an angle to the vertical or horizontally, but the vertical disposition is to be preferred.

By the device according to the invention the cigar or the like is effectively lighted without necessity for immediately drawing upon it, that is to say, the cigar or the like continues to burn after removal from the device in circumstances where when lighted by a flame it would tend to burn out unless suction is applied.

It will be understood that the invention is not limited to the features of construction hereinbefore described. For example, the push button may be arranged in any convenient position upon the outer part or cover of the device. Again, it

may be replaced by a rotary knob or the like or a trigger or lever device. Similarly, the construction of the internal switch elements and the disposition and form of the resistance elements are also subject to variation as may be desired.

Having now particularly described and ascertained the nature of our said invention and in what manner the same is to be performed, we declare that what we claim is:—

1. Lighters for cigars and the like, of the kind described, wherein the casing of the lighter comprises a base member and a cover, the base member being formed with a support or supports for the electrical resistance element, and the cover carrying a switch operating device and being provided with a hole or cavity into which the end of the cigar or the like may be inserted and being so formed that when applied in position upon the base member the hole or cavity is disposed in the required relation to the electrical resistance element, substantially as hereinbefore described.

2. Lighters for cigars and the like, according to claim 1, wherein a switch operating device supported upon the cover serves for the operation of a switch element supported upon the base member, substantially as hereinbefore described.

3. Lighters for cigars and the like provided with means for the admission of air to the end of the cigar or the like to be ignited and according to claim 1 or claim 2, wherein the cover is formed with air openings for the admission of an upward current of air, substantially as hereinbefore described.

4. Lighters for cigars and the like, according to claim 1, wherein the base member is provided with two supports across which the electrical resistance element is disposed as a bridge, substantially as hereinbefore described.

5. A lighter for cigars and the like, substantially as hereinbefore described with reference to the accompanying drawings.

Dated this 17th day of April, 1931.

EDWARD EVANS & Co.,  
27, Chancery Lane, London, W.C. 2,  
Agents for the Applicants.

*[This Drawing is a reproduction of the Original on a reduced scale.]*

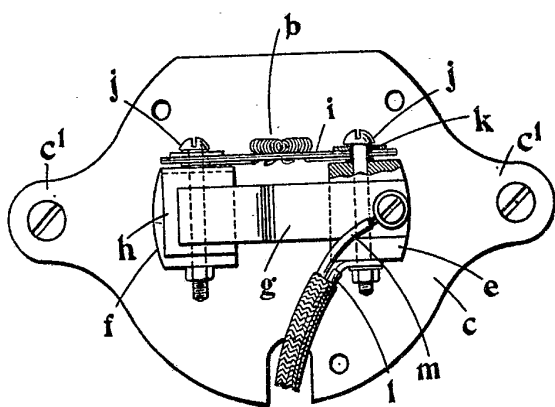


Fig. 1.

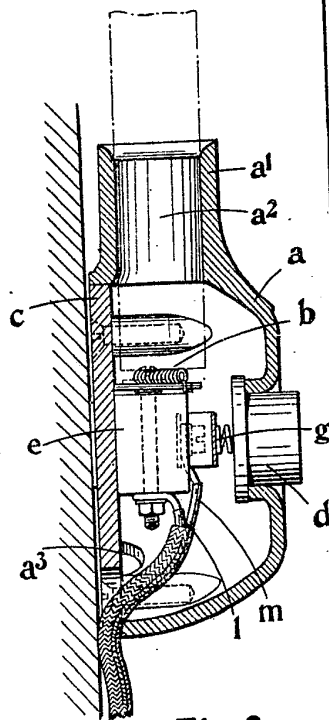


Fig. 2.

Fig. 3.

