

# RESERVE COPY

## PATENT SPECIFICATION

356,962

Convention Date (Switzerland): June 9, 1930.

Application Date (in United Kingdom): Oct. 6, 1930. No. 29,916 / 30.

Complete Accepted: Sept. 17, 1931.

COMPLETE SPECIFICATION.



### Combined Watch and Petrol Lighter.

I, ROBERT RYFFÉ, a Swiss citizen, of 50, Kapellstrasse, Grenchen, Switzerland, do hereby declare the nature of this invention and in what manner the same is to be performed, to be particularly described and ascertained in and by the following statement:—

The subject matter of the present invention is a combined keyless watch and lighter, the case of which is externally identical with an ordinary keyless watch case, and has the same chief components as the latter, i.e. it has a movement-carrier, a cover, and a bezel, the movement being fitted into an opening in the movement-carrier.

According to my invention the watch case contains a movement-carrier, and is provided with a cover and a bezel, and the watch movement is fitted into an opening in the movement-carrier, whilst surrounding said opening the movement-carrier contains two chambers separated from each other, one of which is used as a fuel container, while the other contains the ignition device and has a spring lid which, on being released, drives an ignition wheel.

The accompanying drawing shows an example of the subject matter of the invention with a round case.

In the drawing:—

Figure 1 is a section on the line I—I of Figure 2, whilst

Figure 2 is a cross-section on the broken line II—II—II of Figure 1.

The case has a movement-carrier 3, a cover 4, and a bezel 5, into which the glass 6 fits. The cover and bezel are each detachably forced on a closing edge of the movement-carrier 3. The pendent knob 7, carrying the pendant ring 8, is firmly soldered to the movement-carrier. The winding pin 9 passes through the pendant knob and carries the winding button (not shown in the drawing).

The movement-carrier 3 has a circular opening 10, and is divided into two chambers 12 and 13 separated from each other by a wall 11. The chamber 12, which is tightly closed by an inner annular wall 14 and a plate 15 of the movement-carrier, forms the fuel con-

tainer. The watch movement 16 is mounted on a shoulder of the annular wall 14 and is detachably secured with ordinary case screws. 16<sup>1</sup> is the dial, and 17 and 18 are the hour and minute hands respectively.

The winding pin 9 passes through the fuel container 12 in a tube 19. The fuel container has a filling opening 20, which is closed by a threaded stopper 21.

The chamber 13 contains the igniting device, and has a spring lid 22 with side flanges 23. The spring lid is rotatably mounted by means of its flanges on an arbor 24 fixed in the movement-carrier 3, and is secured in the closed position by a spring catch 25 with press-button 26 fixed to the movement-carrier 3. The small ignition wheel 27 is rotatably mounted on the arbor 24, and the flint 28 is pressed against its milled surface under the action of a helical spring 29. The flint 28 as well as the spring 29 lie in a tube 30, which passes through the movement-carrier 3 and the fuel container 12 as well as the wall 11 of the latter. The end of the tube 30 terminating on the outer surface of the movement-carrier 3 is closed by means of a screw 31, against which the spring 29 abuts. The ignition wick 32 passes through the wall 11 in a suitable tube 33. Between the flanges 23 of the spring lid 22 a pawl 35 is rotatably mounted on a pin 34, and under the action of a spring not shown in the drawing, the pawl engages in the milled circumference of the ignition wheel, and sets the latter in motion when the spring lid is opened. The lid-actuating spring 36, an ordinary wire spring, is on the one side fixed to the movement-carrier, one turn passing round the arbor 24, and on the other side bears against the inside of the spring lid.

The drive of the ignition wheel by the spring lid could be effected by means of any other arrangement.

Further, the spring catch could be controlled by the winding button instead of by means of a special press-button.

The case of the subject matter of the invention has externally no characteristics to distinguish it from an ordinary watch case. Only the movement-carrier of the

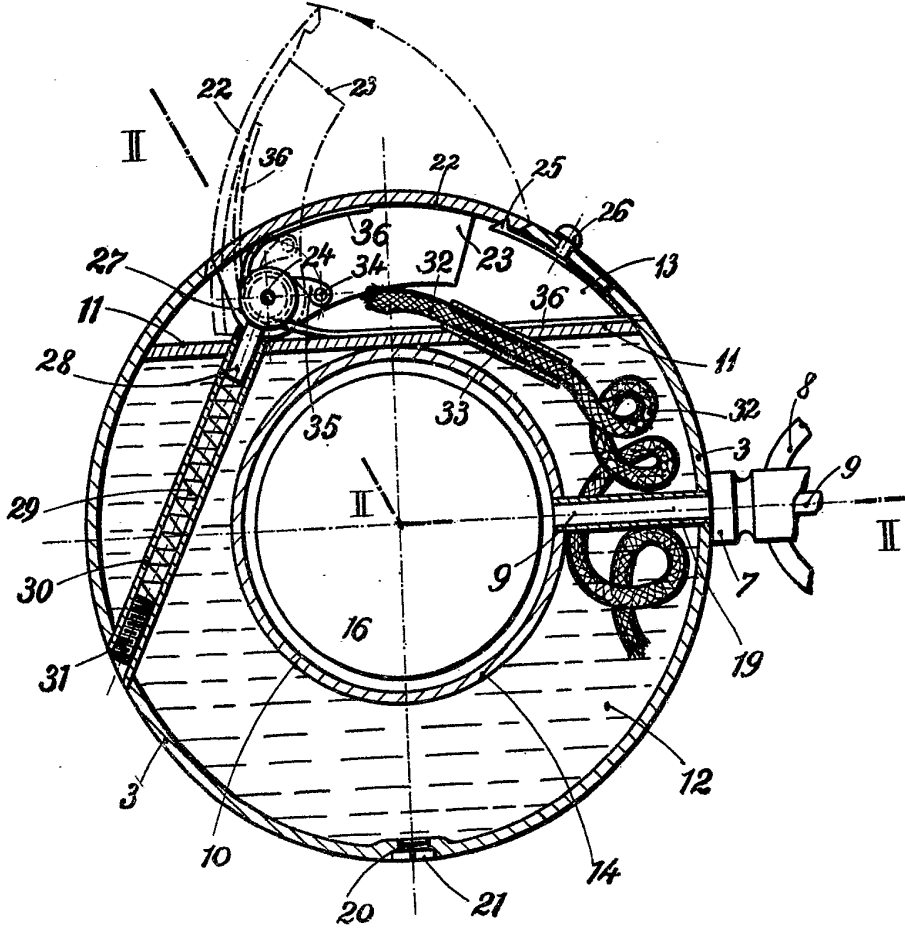
[Price 1/-]

- case has some unimportant special constructional features, which do not prevent the article from being produced in any desired shape. The rear side of the watch movement becomes visible and accessible when the cover 4 is taken off. The watch movement can just as conveniently be removed from the case, if the bezel 5 of the case is previously loosened.
- 10 Having now particularly described and ascertained the nature of my said invention and in what manner the same is to be performed, I declare that what I claim is:—
- 15 1. A combined keyless watch and lighter, wherein the watch case contains a movement-carrier, and is provided with a cover and a bezel, and the watch movement is fitted into an opening, in the movement-carrier, whilst surrounding
- 20 said opening the movement-carrier contains two chambers separated from each other, one of which is used as a fuel container, while the other contains the
- 25 ignition device and has a spring lid which, on being released, drives an ignition wheel.
2. A keyless watch and lighter according to claim 1, wherein the spring lid is rotatably mounted on the arbor of the ignition wheel by means of flanges, while the flanges carry a pawl for the drive of the ignition wheel.
3. A keyless watch and lighter according to claim 1, wherein the closing device of the spring lid has a spring catch with press-button.
4. A keyless watch and lighter according to claim 1, wherein the closing device of the spring lid has a spring catch, which is actuated by means of the winding button of the watch.
5. A keyless watch and lighter according to claim 1, wherein the case and lighter are made as illustrated by the accompanying drawing.

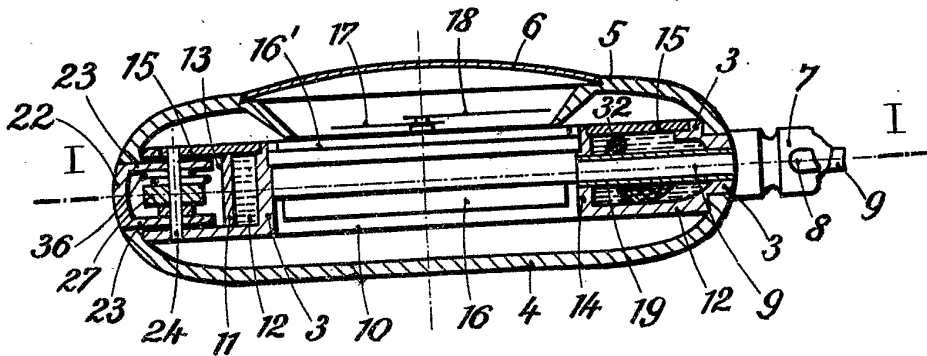
Dated this 6th day of October, 1930.

FORRESTER, KETLEY & Co.,  
Chartered Patent Agents,  
Jessel Chambers, 88/90, Chancery Lane,  
London, W.C.2, and  
Central House, 75, Central Street,  
Birmingham,  
Agents for the Applicant.

**FIG. 1**



**FIG. 2**



*[This Drawing is a reproduction of the Original on a reduced scale.]*