

# PATENT SPECIFICATION



Application Date: Jan. 8, 1930. No. 693/30.

339,827

Complete Left: April 3, 1930.

Complete Accepted: Dec. 18, 1930.

## PROVISIONAL SPECIFICATION.

### A Combined Ash-tray and Cigarette Lighter.

I, LOUIS BITTNER, of 3, Trinity Quay, Aberdeen, Scotland, British Subject do hereby declare the nature of this invention to be as follows:—

5 This invention resides in the provision of a combined ash-tray and cigarette lighter of the type comprising a small wick burner.

10 According to this invention, the ash-tray is of any suitable formation and of any suitable metal, but, of course, must be of sufficient weight as to be able to rest steadily on a table or other place. At the back-end of the ash-tray and integral therewith, there is a raised portion or boss

15 with a hole in the centre of the top thereof, to which the lighter is attached. The lighter has a projecting threaded pin at the bottom thereof and this pin is

20 passed through the hole in the top of the raised portion of the lighter and fixed thereto by a nut screwed home on the threaded pin.

25 The lighter is preferably of bottle-shaped formation with a cup-shaped extinguisher suitably connected with an operating lever, which latter is suitably pivoted to the neck of the lighter, the other end of the operating lever being connected to the striker by suitable levers, spiral springs being provided for returning the extinguisher and the striker to their normal positions.

Dated this 6th day of January, 1930.

JOHN LIDDLE,

154, St. Vincent Street Glasgow,  
Chartered Patent Agent.

## COMPLETE SPECIFICATION.

### A Combined Ash-tray and Cigarette Lighter.

35 I, LOUIS BITTNER, of 3, Trinity Quay, Aberdeen, Scotland, British Subject, do hereby declare the nature of this invention and in what manner the same is to be performed, to be particularly described and ascertained in and by the following statement:—

40 My invention relates to improvements in cigarette lighters of the kind wherein such is combined with an ash-tray and wherein a flint is scratched by a piece of hard steel wire to produce sparks which ignite a wick or such like saturated with inflammable liquid, and the object of my invention is to provide one of a very efficient nature, and not liable to go out of order.

50 According to my invention, the ash-tray is of any suitable metal or material, and of sufficient weight to rest steadily on a table or other place, and with a hollow raised portion or boss at the back end thereof, with a hole in the center of the boss to which the lighter is attached by means of a threaded pin at bottom of the body of the lighter passing through the hole in the raised portion of the ash-

tray and fixed by a nut. Suitable recesses are provided on edge of ash-tray in which the cigarette can be placed when desired.

65 The lighter body is of bottle shape formation and the operating lever is pivoted upon a bracket mounted on the neck of the bottle and is connected by a link to a lever, the other end of said lever being attached to the extinguisher. The end of the operating lever is connected to the striker by suitable levers. I also provide a small projecting piece on one of the latter levers, which engages with teeth on side of striker, suitable coil-springs being also provided for returning the extinguisher and levers to their normal position.

80 In order that my invention may be properly understood and readily carried into effect, I have hereunto appended one sheet of drawings, of which

Figure 1 is a front elevation of a combined ash-tray and lighter.

85 Figure 2 is a view of part of lighter with front portion of bracket removed.

Figure 3 is similar view to Figure 2 with lighter on point of sparking.

[Price 1/-]

Price 25/-

Figure 4 is part view of striker which creates the spark.

Referring to the drawings, A is the ash-tray and B is the raised portion or boss with hole in the centre of the raised part B, to which the body C of the lighter and which contains the cotton wool or wick saturated with petrol is attached. D is the projecting-pin at the bottom of the body C of the lighter which pin D is passed through the hole in the top of the raised portion or boss B of the ash-tray A, and fixed thereto by a nut E screwed home on the threaded-pin D.

The lighter body C has fixed round the upper end thereof a bracket Q, which bracket Q has a depending-piece Q' on each side thereof, to which the lever G is pivoted at G'. The cup-shaped extinguisher F is suitably fixed to a lever R, which lever R is pivoted to the bracket Q at S, the link H connecting the lever G with the lever R carrying the extinguisher F. To the opposite side of the bracket Q, the striker I is fixed, and which striker I is connected to the lever G through the medium of the trip-lever J and lever K, the small projecting piece K' engaging with the teeth I' on side of striker I, Figure 4. L and M are the coil-springs which, immediately the lever is released, cause the extinguisher F and striker I respectively to return to their normal position, when the extinguisher F will extinguish the light.

N is the wick, and O the flint, and P the recesses in the ash-tray on which the cigarette can be placed at any time, if required.

The modus operandi is as follows:—

The cotton-wool, or other absorbent material inside the lighter-body C is saturated with petrol, or such like, and when the lever G is pressed down, this action uncovers the extinguisher F from its position over the wick N, and a little further pressure on the operating-lever G, raises the trip-lever J, and causes the lever K to turn on its pivot, when the projecting-piece K' engages the teeth I' on side of the striker I, causing the striker to rotate over the flint O, producing the spark by which the wick becomes lit, and, when the operating lever is released, the extinguisher and striker are returned to their original position and the light is extinguished.

Having now particularly described and ascertained the nature of my said invention and in what manner the same is to be performed, I declare that what I claim is:—

1. A combined cigarette lighter and ash-tray, characterized in the provision of an ash-tray having a hollow recessed raised part or boss at the back thereof, with a hole in the centre, and recesses formed on the edge of said ash-tray, combined with a lighter, the body of which containing the saturated cotton or such like is of bottle-shape, and has a screw-threaded pin at the bottom thereof, which passes through the hole in the raised part or boss of the ash-tray and a nut for fixing the lighter and ash-tray together, substantially as hereinbefore described and illustrated.

2. A combined cigarette lighter and ash-tray as in Claim 1, characterized in the provision of a bracket fixed round the lighter-body on the neck thereof, two depending pieces from said bracket, an operating lever pivoted to said depending pieces, a cup-shaped extinguisher, a lever, one end of which is fixed to said extinguisher, the said lever being pivoted at the centre to the bracket, the other end of the lever being attached to the end of a link, and the other end of the link being attached to the operating lever.

3. A combined cigarette lighter and ash-tray as in claim 2, characterized in the provision of a striker fixed to the bracket, a trip lever adapted to be engaged by the operating lever, and connected to another lever connected to the striker, and a small projecting-piece on said last mentioned lever.

4. A combined cigarette lighter and ash-tray as in Claims 2 and 3, characterized in the provision of coil-springs for returning the cup-shaped extinguisher and trip lever to their normal position, for extinguishing the light.

5. A combined cigarette lighter and ash-tray constructed, arranged and operated substantially as and for the purposes hereinbefore described and illustrated on the accompanying sheet of drawings.

Dated this 27th day of March, 1930.

JOHN LIDDLE,

154, St. Vincent Street, Glasgow,  
Chartered Patent Agent.

[This Drawing is a reproduction of the Original on a reduced scale.]

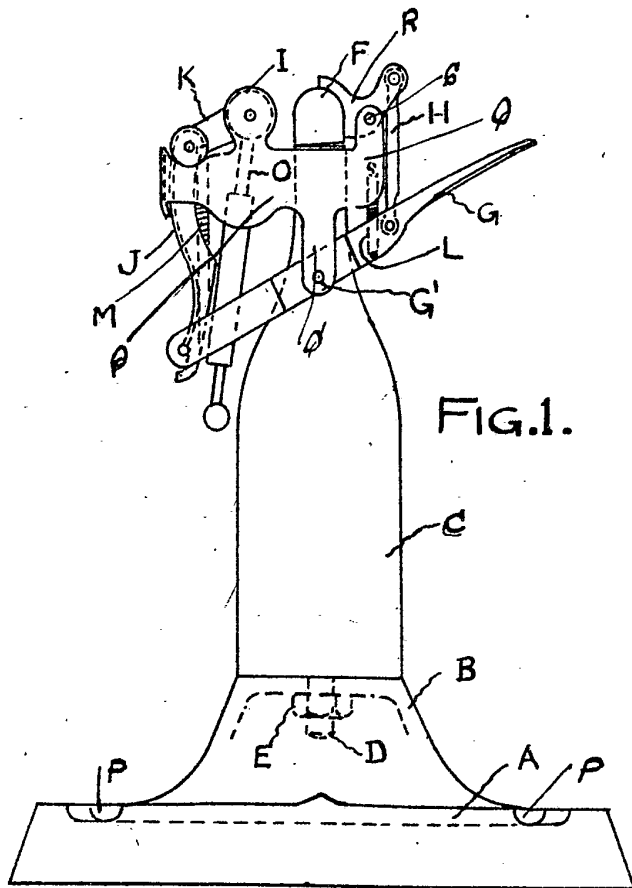


FIG. 1.

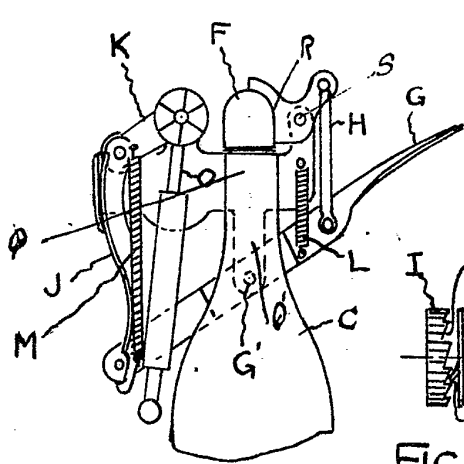


FIG 2

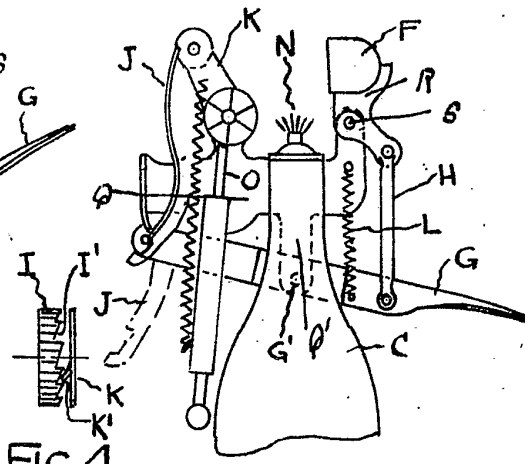


FIG. 3.

FIG. 4.