

# PATENT SPECIFICATION



Convention Date (Germany): Jan. 9, 1929.

**338,790**

Application Date (in United Kingdom): Jan. 9, 1930. No. 835/30.

Complete Accepted: Nov. 27, 1930.

## COMPLETE SPECIFICATION.

### Electric Cigar Lighter.

We, WACKER & DOERR SÖHNE G.M.B.H., a German Company, of Niederramstadt, near Darmstadt, Germany, do hereby declare the nature of this invention and in what manner the same is to be performed, to be particularly described and ascertained in and by the following statement:—

The invention relates to an electric lighter for cigars, cigarettes and the like, which chiefly consists of two parts, the one of which is firmly mounted on a support, the other part, constructed as carrier for the incandescent body, being easily removable from the first part.

The novelty chiefly consists in the manner in which the carrier for the incandescent body is mounted between a current-carrying cap and a resilient contact bolt, which guarantees an easy manipulation and the utmost mechanical and electrical reliability.

An embodiment of the invention is illustrated in the accompanying drawing, in which:

Fig. 1 is a front view,

Fig. 2 a longitudinal section on line A—B of Fig. 1,

Fig. 3 a plan view of the lighter, and

Fig. 4 shows in side elevation the detached carrier for the incandescent body.

The support 1 forms with the arms 2, 3 a whole pressed piece made of insulating material. The binding screws 6 and 10 for the conductors are arranged in the arms 2, 3, the screw 6 is conductively connected with the cap 5 and the screw 10 with the resilient contact bolt 7. The carrier 4 for the incandescent body is made of insulating material and surrounds with its upper cup shaped end the part 16 exposed to the heating, in which the incandescent body is mounted. An unintentional touching of the incandescent

body is thus prevented. By the press knob 21 which moves transversely to the axis of the carrier 4 and the leaf spring 20 an electrically conducting connection of the two metal cores 12 and 13 separated by an insulation 14 can be established, whereby the incandescent body 17 is switched in the circuit through the bolt 15.

To use the lighter the carrier 4 is gripped between thumb and forefinger, one of the fingers operating the lateral press button 21 whereby the incandescent body 17 is heated to red-heat. Without changing the fingers the resilient bolt 7 is depressed, a pressure being simultaneously exerted upon the carrier 4 so that the same is liberated.

To re-insert the carrier 4 into the support 1, 2, 3 the thinner lower end of the same having an indentation 22 is placed upon the bolt 7 and by depressing said bolt 7 the upper end of the carrier is slipped into the cap 5.

Having now particularly described and ascertained the nature of our said invention and in what manner the same is to be performed we declare that what we claim is:—

1.—Electric cigar lighter with removable carrier for the incandescent body, characterized in that the carrier 4 for the incandescent body is clamped between a current conducting cap 5 and a resilient contact bolt 7.

2.—Electric cigar lighter as claimed in claim 1, characterized in that in the carrier 4 for the incandescent body a press button switch 20, 21 is built in movable perpendicular to the axis of said carrier.

Dated this 9th day of January, 1930.

CHATWIN & COMPANY,

Patent Agents for the Applicants,

Orion House,

253, Gray's Inn Road, London, W.C.1.

Fig. 1.

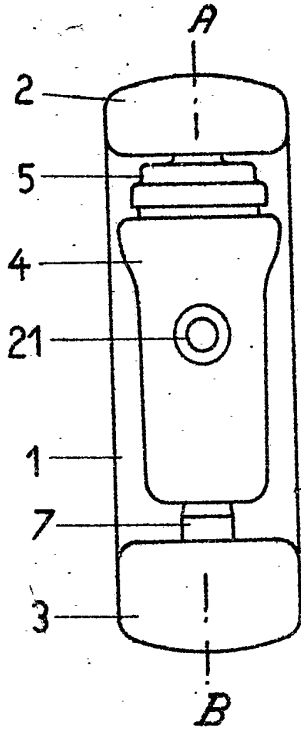


Fig. 2.

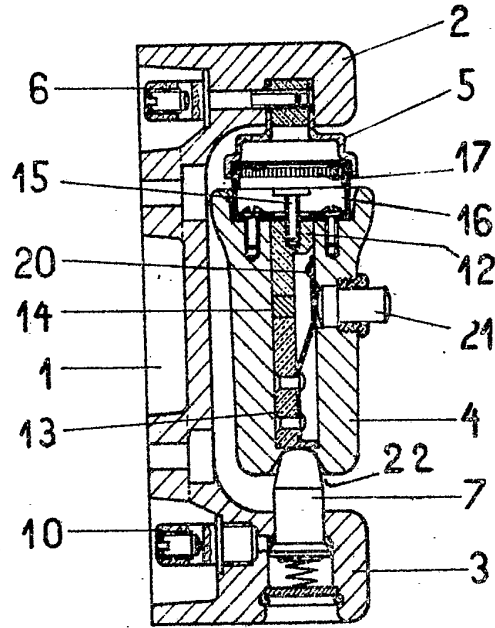


Fig. 3.

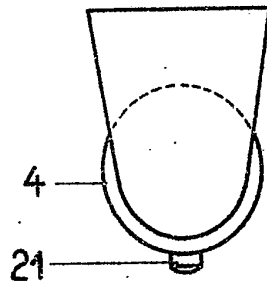
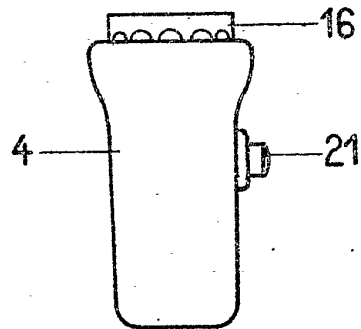


Fig. 4.



[This Drawing is a reproduction of the Original on a reduced scale.]