

PATENT SPECIFICATION

Application Date: Oct. 20, 1927. No. 27,895/27.

299,993

Complete Left: Aug. 9, 1928.

Complete Accepted: Nov. 8, 1928.

PROVISIONAL SPECIFICATION.

Improvement connected with Pyrophoric Lighters.

I, LEON REES, British subject, Director of the firm L. S. Mayer (London) Limited, of 12, New Union Street, Moorfields, London, E.C. 2, do hereby declare the nature of this invention to be as follows:—

This invention relates to pyrophoric lighters and consists of an improved construction of catch device for retaining the bar carrying the cap which covers the wick and extinguishes same.

Surrounding the wick tube is pivoted a lever having three arms and a stop, one arm being bent to conform to the curved edge of the container and projecting slightly therefrom, the second arm being bent vertically and provided at its top with a nose or catch portion positioned in the line of movement of the bar carrying the extinguishing cap and in some cases a covering for the abrasive wheel and which bar is pivoted to a pillar and spring controlled to normally keep it away from the wick tube.

The third arm projects across the container where its end is connected to a spring controlled plunger positioned in a tube secured to the container or pillar thereon and parallel with the top of the container, the spring normally pressing

on the arm to project the nose or catch of the arm carrying same into the path of travel of the bar carrying the extinguishing cap.

The stop action against the tube under pressure of the spring controlling the plunger.

To extinguish the light the bar is pressed down for its cap to embrace the wick tube and in so doing it will press upon the nose of the second arm and riding over same will be caught and held by the catch, the spring drawing the catch into position and moving the stop from engagement with the tube.

To release the bar and cap the curved arm is moved on the pivot to release the catch from the bar when the bar will fly open and the spring will act upon the plunger and return the armed lever for its arms and stop to occupy their original positions.

The usual striking wheel and flint are employed and both are positioned next to the wick tube as ordinarily.

Dated this 20th day of October, 1927.

H. GARDNER & SON,
Chartered Patent Agents,
173—4—5, Fleet Street, London, E.C. 4,
Agents for the said Applicant.

COMPLETE SPECIFICATION.

Improvement connected with Pyrophoric Lighters.

I, LEON REES, British subject, Director of the firm L. S. Mayer (London) Limited, of 12, New Union Street, Moorfields, London, E.C. 2, do hereby declare the nature of this invention and in what manner the same is to be performed, to be particularly described and ascertained in and by the following statement:—

This invention relates to pyrophoric lighters and consists of an improved construction of catch device for retaining the bar carrying the cap which covers the wick and extinguishes same.

My invention will be clearly understood from the following description aided by the annexed drawings in which:—

Figure 1 is a side view of a lighter,
[Price 1/-]

Figure 2 an edge view,

Figure 3 a part sectional edge view on the lines *a, a* of Figure 1,

Figure 4 is a plan of the lighter in the closed condition,

Figure 5 is a part sectional plan of the lighter in the open condition.

Surrounding the wick tube A is pivoted a lever comprising three arms B, C, D and a stop E, one arm B being bent to conform to the curved edge of the container F and projecting slightly therefrom, the second arm C being bent vertically and provided at its top with a nose or catch portion C¹ positioned in the line of movement of the bar G carrying the extinguishing cap H and a covering for

the abrasive wheel, and which bar G is pivoted to a pillar I and spring controlled to normally keep it away from the wick tube A.

5 The third arm D projects across the container F where its end is positioned in slots J of a tube J¹ and is acted upon by a plunger K positioned in the tube J¹ which is secured to the container or pillar
10 I thereon and parallel with the top of the container, and such plunger K is controlled by a spring M contained within the tube J¹, such spring normally pressing on the arm D to project the nose or
15 catch C¹ of the arm C carrying same into the path of travel of the bar G carrying the extinguishing cap H.

The stop E has action against a post L carrying the tube J¹ under pressure of the
20 spring M controlling the plunger K.

To extinguish the light the bar G is pressed down for its cap H to embrace the wick tube A and in so doing it will press upon the nose C¹ of the second arm C and
25 riding over same will be caught and held by the catch C¹, the spring M drawing the catch C¹ into position and moving the stop E from engagement with the tube J¹.

To release the bar G and cap H the
30 curved arm B is moved on the pivot to release the catch C¹ from the bar G when the bar G will fly open and the spring M

will act upon the plunger K and return the armed lever for its arms B, C, D, and stop E to occupy their original positions. 35

The usual striking wheel N and flint are employed and both are positioned next to the wick tube as ordinarily.

Having now particularly described and ascertained the nature of my said invention and in what manner the same is to be performed, I declare that what I claim is:— 40

1. In pyrophoric lighters, a lever comprising three arms and a stop pivoted around the wick tube, one arm being the actuating arm, another arm provided with a catch for engaging a spring controlled bar pivoted to the lighter and carrying the extinguishing cap and cover for the abrasive wheel, the third arm being acted upon by a spring controlled plunger in a tube affixed to the lighter, the stop acting against a post carrying the plunger tube, substantially as described and
50 operating as set forth.

2. In pyrophoric lighters the construction of lever substantially as described and as shown on the annexed drawings.

Dated this 9th day of August, 1928.

H. GARDNER & SON,
Chartered Patent Agents,
173—4—5, Fleet Street, London, E.C. 4,
Agents for Applicant. 55

[This Drawing is a reproduction of the Original on a reduced scale.]

Fig. 1.

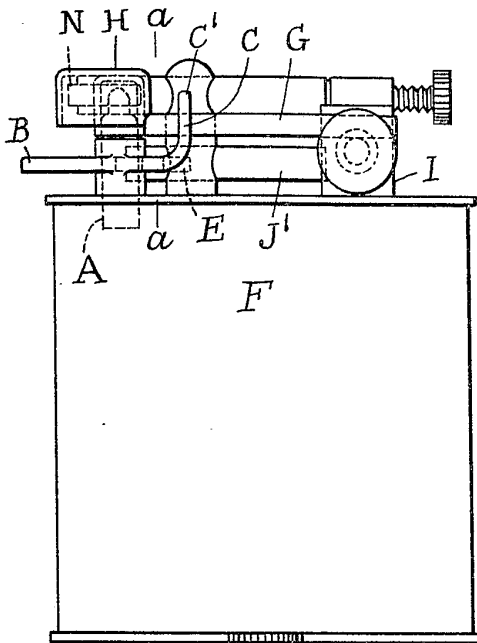


Fig. 2.

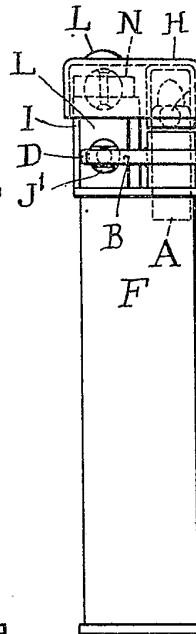


Fig. 3.

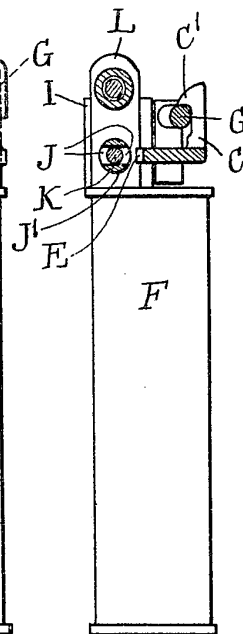


Fig. 4.

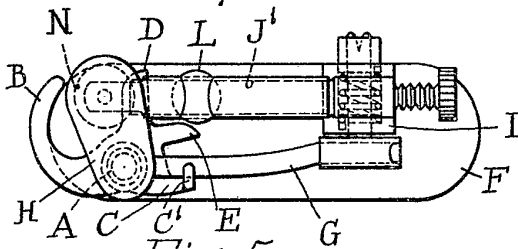


Fig. 5.

