

RESERVE COPY

PATENT SPECIFICATION



Convention Date (Germany): Sept. 21, 1927.

297,442

Application Date (in United Kingdom): Sept. 21, 1928. No. 27,188/28.

Complete Accepted: Dec. 5, 1929.

COMPLETE SPECIFICATION.

An Improved Electric Cigar or the like Lighter.

We, **SCHOELLER & Co. ELEKTRO-TECHNISCHE FABRIK G.M.B.H.**, of No. 117, Mörfelderlandstrasse, Frankfurt/Main, Germany, a corporation duly organized under the German Law, do hereby declare the nature of this invention and in what manner the same is to be performed, to be particularly described and ascertained in and by the following statement:—

10 The invention relates to electric cigar igniters comprising a heating-wire carrier held in a socket or contact casing by means of resilient locking means and capable of being moved for the purpose of closing the heating current circuit.

15 According to the invention the heating-wire carrier is held in the contact casing by an annular groove engaging in resilient fingers in such a manner that the heating wire carrier may be moved so as to close the heating current circuit whilst still gripped by the fingers, the carrier when released being returned into the normal freely suspended position.

25 One way of carrying the invention into effect is illustrated by way of example in the accompanying drawings in which:—

30 Figure 1 shows an electric cigar lighter partly in elevation and partly in section, with one finger displaced to show the construction more clearly.

Figure 2 is a plan view corresponding to Figure 1 with the heating-wire carrier removed.

35 The cage 2 formed by a plurality of resilient fingers is mounted in a contact casing 1. The fingers are drawn together by a ring 3 formed by a spiral spring embracing the upper curved parts of the fingers.

40 The plurality of spring fingers are secured in position separate in the casing at suitably spaced positions. The casing 1 is connected to one terminal of a source of current.

45 The casing 5 containing the heating-wire 4 is provided below with an annular groove, adapted to be engaged by the spring fingers when the casing 5 is inserted into the contact casing 1.

To heat the wire 4 to incandescence the heating-wire carrier 5 is pushed into the cage 2 deep enough to make the contact piece 6 engage the contact piece 7, and also make the flanged edge 5¹ of the carrier engage the wall of the contact casing 1.

55 If the carrier be depressed and tilted the circuit will be closed when any point of the flange 5¹ comes into contact with the casing 1 at one point, as the current will then flow from the contact piece 7 connected to one terminal of the source of current and through the contact piece 6 to the heating wire 4 and from thence return through the flange 5¹ and the contact casing 1 connected with the other terminal of the source of supply. As soon as the carrier is released it is returned into the original position owing to the elasticity of the fingers so that the circuit is automatically interrupted.

60 Having now particularly described and ascertained the nature of our said invention and in what manner the same is to be performed, we declare that what we claim is:—

75 An electric cigar or the like lighter of the kind comprising a heating-wire carrier held in a socket or a contact casing by means of resilient locking means and capable of being moved for the purpose of closing the heating current circuit, wherein the lower end of the heating-wire carrier provided with an annular groove is held freely suspended in resilient fingers provided with rounded projections in such a manner that the heating wire carrier can not only be pulled upwards out of the casing, but being also surrounded by the spring fingers, can be moved downwards for the purpose of closing the heating current circuit, and on being released again returns to its freely suspended position.

Dated the 21st day of September, 1928.

FRANCIS HERON ROGERS,

Agent for Applicants,

Bridge House, 181, Queen Victoria Street, London, E.C. 4.

[This Drawing is a full-size reproduction of the Original.]

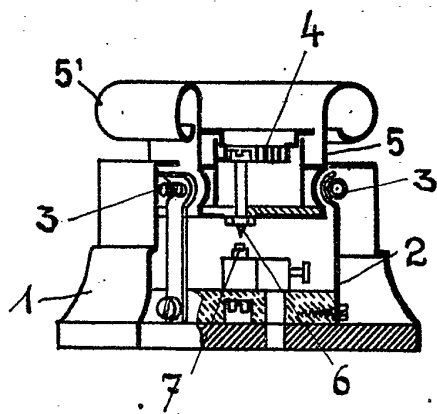


Fig. 1.

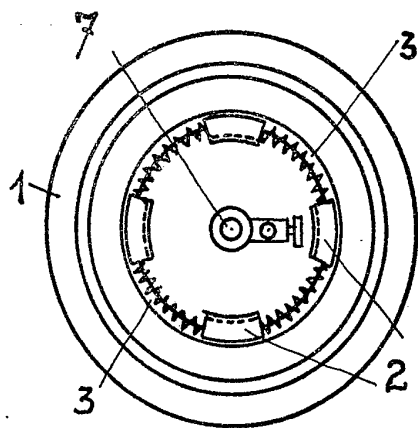


Fig. 2.