

PATENT SPECIFICATION

288,468

Application Date: Aug. 5, 1927. No. 20,715/27.

Complete Accepted: April 12, 1928.

COMPLETE SPECIFICATION.



Improvements in or relating to Pocket Lighters.

Communication from: THE NAPIER COMPANY, a corporation organized under the laws of the State of Connecticut, of Cambridge Street, Meriden, State of Connecticut, United States of America.

I, LEONARD MELLERSH-JACKSON, a subject of the King of Great Britain, of the firm of Haseltine, Lake & Co., Chartered Patent Agents, 28, Southampton Buildings, Chancery Lane, London, W.C. 2, in the County of Middlesex, do hereby declare the nature of this invention and in what manner the same is to be performed, to be particularly described and ascertained in and by the following statement:—

This invention relates to improvements in pocket lighters of the flint type and has for its object to provide improved means for operating the friction-block and to generally simplify the construction of the device.

Accordingly the present invention comprises a pocket lighter of the flint type including a casing, a wick, a flint, a friction-block mounted in contact with the flint adjacent to the wick and connected with a gear in mesh with an operating gear whereby the friction-block is operated, characterized in that the two gears are horizontally mounted upon the top of the casing with the operating gear extending beyond the edges of the casing so that it may readily be thumb-operated.

In order that the invention may be fully understood and more readily carried into practice, I have appended hereunto one sheet of drawings in which:

Fig. 1 is a side view of a pocket lighter constructed in accordance with this invention;

Fig. 2 is an edge view of the same;

Fig. 3 is a top view of the same;

Fig. 4 is an underside view of the same;

Fig. 5 is a sectional view on the line 5—5 of Fig. 3 on an enlarged scale;

Fig. 6 is a sectional view on the line 6—6 of Fig. 1, enlarged;

Fig. 7 is a sectional view on the line 7—7 of Fig. 5;

Fig. 8 is a top view with the cover in the raised position;

[Price 1/-]

Fig. 9 is a broken sectional view illustrating the construction and arrangement of the cover; and

Fig. 10 is a broken sectional view of the flint holder and adjacent parts.

In carrying out this invention, a casing 15 is employed, which is formed from metal, preferably of oval form, and closed at the lower end by a bottom 16 having a central threaded opening 17 to receive a screw-plug 18. The upper end is closed by a top-plate 19. In the top, at one side, a wick-collar 20 is mounted in the top-plate 19, providing a support for a wick 21 of usual material, which enters the casing, which is to be filled with inflammable absorbent material saturated with liquid fuel. Adjacent to the wick-collar 20 is a vertical post 22, to which is attached a gear-wheel 23, and above the gear-wheel is a circular friction-block 24 having its periphery roughened or knurled. Mounted on the top, in line with the friction-block 24, is a flint-carrying holder 25 containing a stick 26 of flint or other suitable pyrophoric material, which is pressed against the block 24 by a spring 27 which is adjusted by a screw-stem 28 having a finger-piece 29. Meshing with the gear 23 is an operating-gear 30 mounted upon a screw-stud 31 entering the top-plate 19, which is formed with a boss 32 to provide a suitable support for the screw-stud 31.

It will be noted that the diameter of the operating-gear 30 is slightly greater than the diameter of the casing where the gear is mounted, so that the edges of the gear project outward on opposite sides and in convenient position to be operated by the thumb or finger.

Also mounted on the top-plate 19 and in the closed position parallel with the holder 25 is a cover-arm 33 provided at its outer end with a cup-shaped cover 34 of a size to set over the block 24 and wick-collar 20, and inside this cup-shaped cover 34 is a sleeve 35 in line with and to set over the wick 21, so as to act as a snuffer therefor. The cover-arm 33 has a central recess 36 to receive a spring 37 and a block 38 forced outward thereby against the beveled edge 39 or the top of the post 40 to

which this arm 33 is pivoted, so that the cover will be held in its closed or open position.

The device operates in the usual manner of portable lighters, that is, when the device is to be used, the cover will be raised to expose the wick and the block 24 turned by moving the gear 30, and as this gear is larger in diameter than the gear attached to the block 24, that block 24 will be moved at a rapid rate against the end of the flint, so as to produce sparks, which ignite the wick. When the cover is closed, the light will be extinguished and the friction-block 24 covered, so as not to become coated and so imperfectly operate against the end of the flint. The gear-wheel 30, for imparting movement to the friction-block, does not materially increase the cost or impair the simplicity of the device, but, on the other hand, greatly increases the operativeness of the device and is in position to be readily operated by a thumb or finger.

Having now particularly described and ascertained the nature of my said invention and in what manner the same is to

be performed, as communicated to me by my foreign correspondents, I declare that what I claim is:—

1. A pocket lighter of the flint type including a casing, a wick, a flint, a friction-block mounted in contact with the flint adjacent to the wick and connected with a gear in mesh with an operating gear whereby the friction-block is operated, characterized in that the two gears are horizontally mounted upon the top of the casing with the operating gear extending beyond the edges of the casing so that it may readily be thumb-operated.

2. A pocket lighter having its parts constructed, arranged and adapted to operate substantially as hereinbefore described with reference to the accompanying drawings.

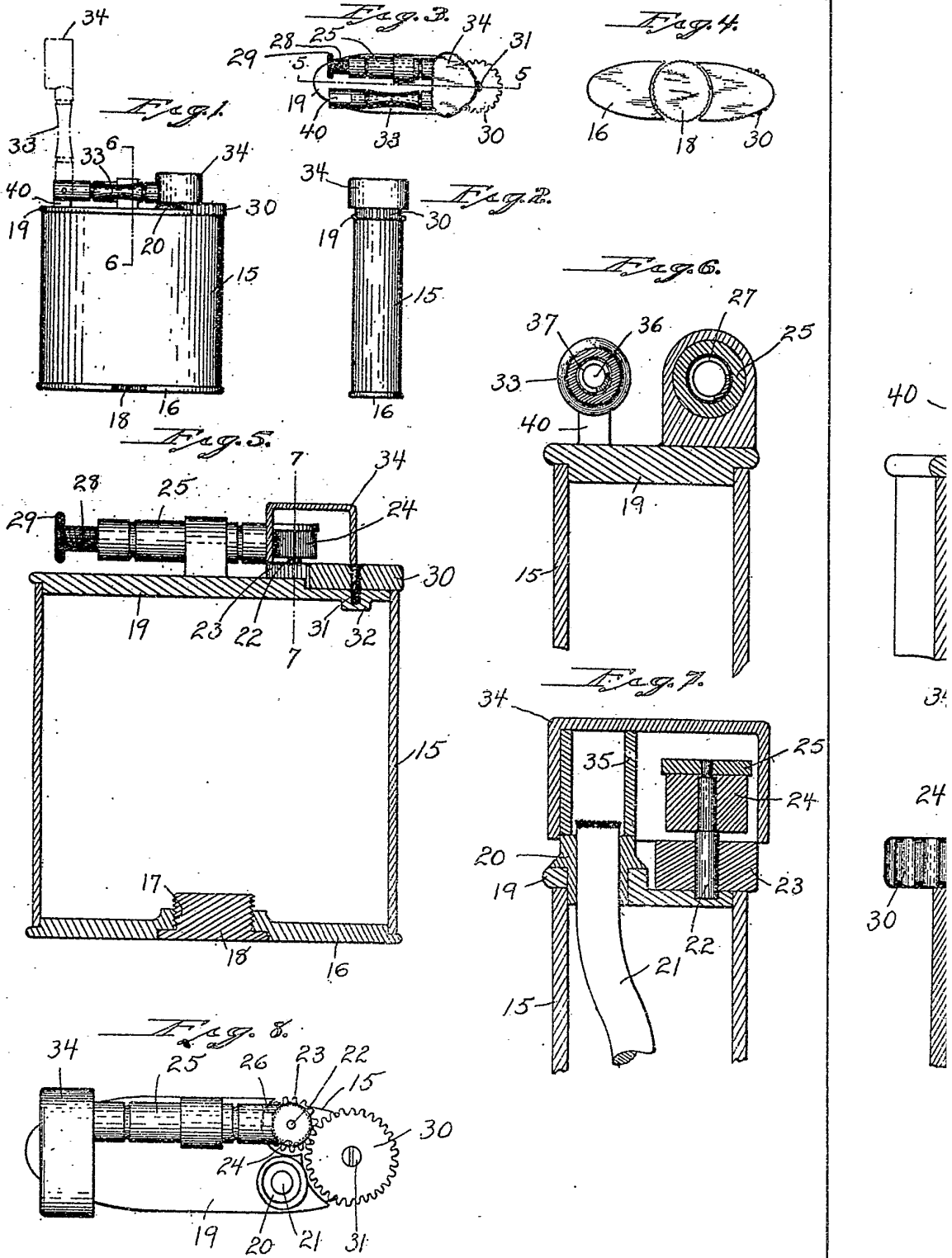
Dated the 5th day of August, 1927.

HASELTINE, LAKE & Co.,
28, Southampton Buildings, London,
England, and

19, West 44th Street, New York, N.Y.,
U.S.A.,

Agents for the Applicant.

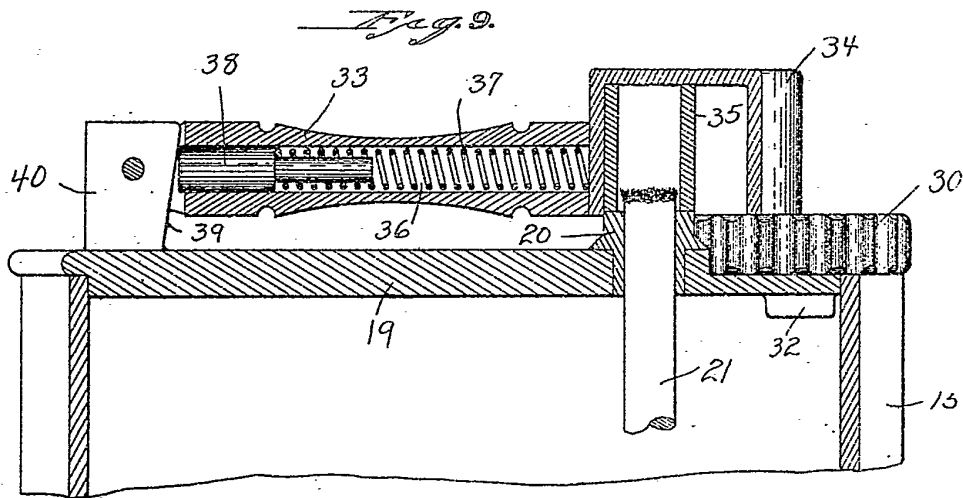
[This Drawing is a reproduction of the Original on a reduced scale.]



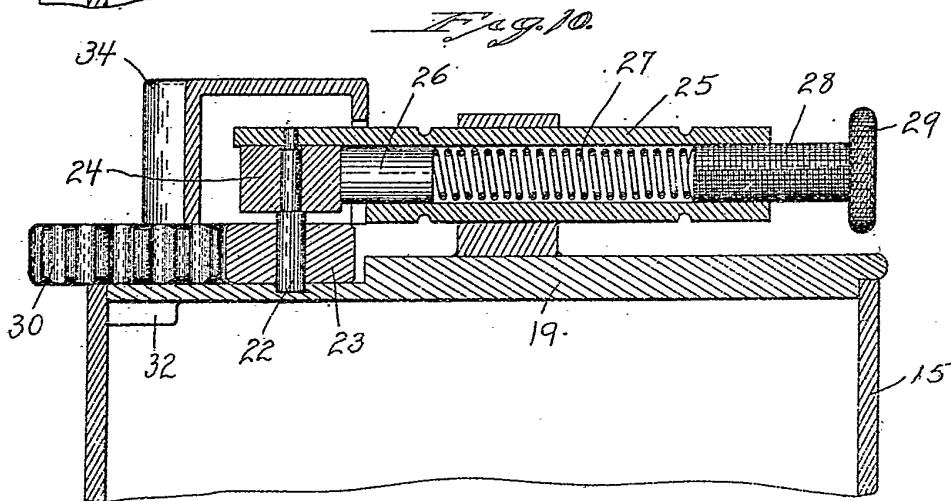
EET 1

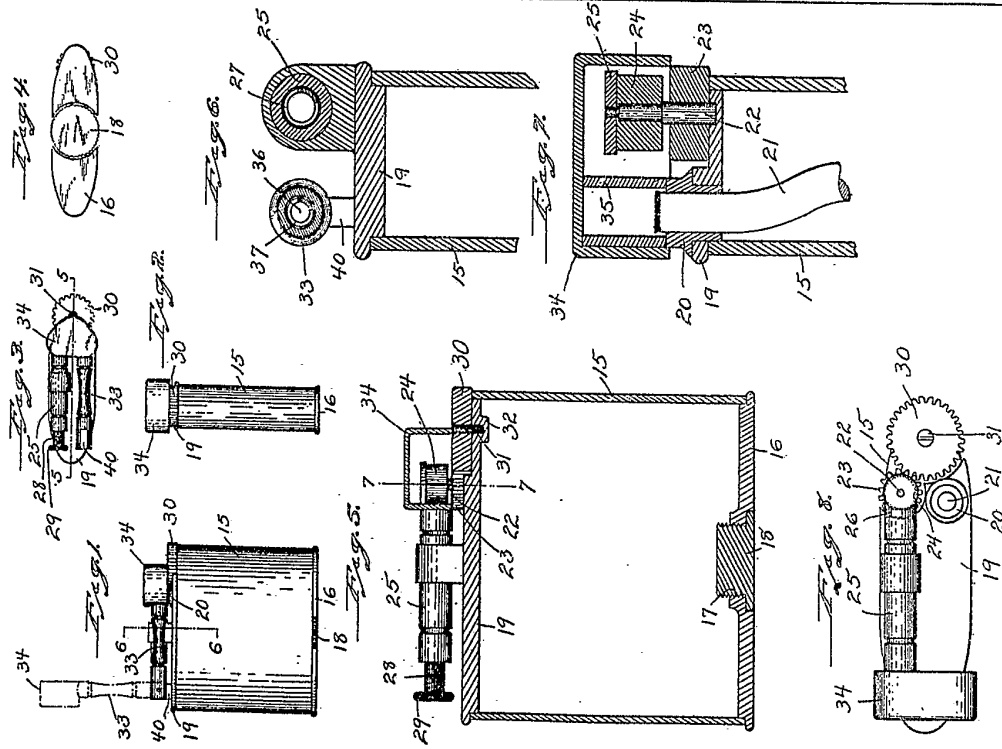
30

25



25
24
23





[This Drawing is a reproduction of the Original on a reduced scale]

