

PATENT SPECIFICATION

279,032

Convention Date (France): Oct. 14, 1926.

Application Date (In United Kingdom): Aug. 9, 1927. No. 20,962/27.

(Patent of Addition to No. 270,634: dated May 10, 1926.)

Complete-Accepted: June 28, 1928.

COMPLETE SPECIFICATION.

Improvements in Pocket Lighters.



We, ETABLISSEMENTS STRAUSS ALLARD, MEYER, of 19, rue Louis-le-Grand, Paris, France, a body corporate organised under the laws of France, do hereby declare the nature of this invention and in what manner the same is to be performed, to be particularly described and ascertained in and by the following statement:—

The present invention relates to improvements in or modifications of the pocket lighter described in the Application for Patent dated the 16th December 1926 and numbered 270,634.

Suggestions have already been made to provide pocket lighters with a perforated wind screen for the wick and with hinged lid. Suggestions have also been made previously to form the flint tube of pocket lighters integral with the friction wheel carrier and to fit the flint tube into a tube which enters the spirit reservoir without communicating therewith and which opens upon the upper face of the body of the igniter.

According to the present invention the tube carrying the flint is located in a tube made integral with the casing carrying the friction wheel and milled actuating knobs, the second mentioned tube being located within a watertight tube which enters the interior of the spirit reservoir without communicating therewith and opens upon the upper face of the body of the apparatus. The wick may be protected by a surrounding wall in which case the pivoted arm carrying the wick cap is replaced by a lid adapted to cover the top of the reservoir.

Figs. 1, 2 and 3 of the accompanying drawings show a constructional form of the apparatus.

Fig. 1 shows the apparatus closed.

Fig. 2 shows the apparatus with the lid open.

Figs. 3 shows the apparatus seen in plan.

The reference numbers corresponding to those of the principle patent indicate the same members.

In this construction the arm 12 carrying the wick cap shown in the drawing of the principle patent is replaced by a lid 17 which completely covers the top of

the reservoir 1 and the orifice 1^b for the wick is surrounded by a wall 16 which shelters the flame. The frictional ignition means in this form is constructed and arranged as described with reference to Figs. 4 to 9 which show a second constructional form.

Fig. 4 is a view in elevation.

Fig. 5 is a view in section.

Fig. 6 is a view in plan.

Fig. 7 is a view in partial section of the lower portion of the body of the apparatus.

Figs. 8 and 9 illustrate the friction-wheel carrying device with the tube holding the flint tube.

In the apparatus described in the principal patent, the tube 7 intended to receive the tube carrying the flint opens on the widened portion 1 of the orifice 1^a—1^b and it is through this portion that the tube 3 carrying the ferrocerium flint is introduced.

In the device according to the present invention the insertion of the tube carrying the flint is no longer effected through the base of the reservoir, but through the upper face of the body of the apparatus.

For this purpose a tube 7¹ which descends into the interior of the reservoir 1, but which is closed at its lower end and thus has no communication with the reservoir opens on the said upper face of the body of the apparatus.

The tube containing the flint, analogous to the device shown in Fig. 7 of the principal patent, is located in the interior of the tube 18 which is formed integral with the casing 8 carrying the friction wheel, its spindle and the roughened knobs 11. The whole thus forms a unit which can be put into its position all in one piece, the tube 18 being located in the tube 7¹ and the casing 8 resting upon the upper face of the body 1. A small fixing device, such as a spring catch, which it is unnecessary to describe, allows it to be secured in place.

By means of this device the ferrocerium flint employed can never get damp by infiltration of the spirit and the certain action of the apparatus is always ensured.

The stopper 2¹ which closes the filling

[Price 1/-]

orifice of the container 1 may be formed, as Fig. 7 shows, with a hollow portion closed by a small stopper 2¹¹ to contain a spare flint.

5 Having now particularly described and ascertained the nature of our said invention and in what manner the same is to be performed, we declare that what we claim is:—

10 1. Improvements in lighters of the type disclosed in Application for Patent No. 270,634 wherein the tube carrying the flint is located in a tube made integral with the casing carrying the friction wheel
15 and milled actuating knobs the second-mentioned tube being located within a water-tight tube which enters the interior of the spirit reservoir without communi-

cating therewith and opens upon the upper face of the body of the apparatus.

20 2. An improved lighter as set forth in Claim 1, wherein the wick is protected by a surrounding wall substantially as described, whilst a lid adapted to cover the top of the reservoir replaces the pivoted
25 arm carrying the wick-cap.

3. Pocket lighters as claimed in Claim 1 substantially as described with reference to the accompanying drawings.

Dated this 6th day of June, 1928.

For the Applicants,

GEORGE HAM,

B.Sc. (Lond.), A.F.R.Ae.S., M.A.M.E.E.,

Chartered Patent Agent,

93/4, Chancery Lane, London, W.C. 2.

Fig. 1

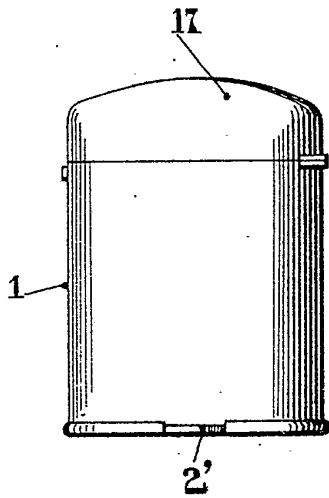


Fig. 2

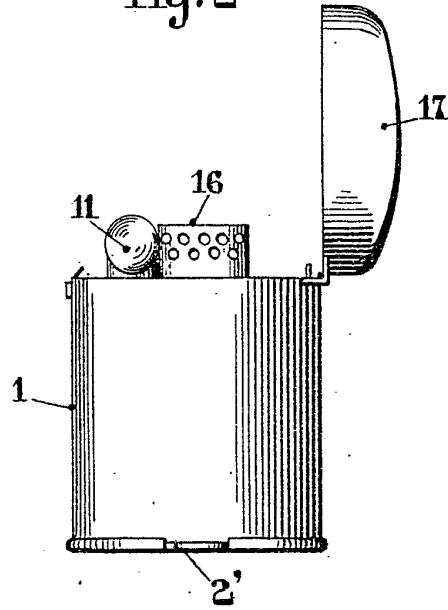
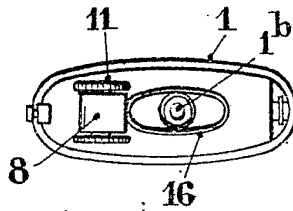


Fig. 3



[This Drawing is a reproduction of the Original on a reduced scale.]

Fig. 4

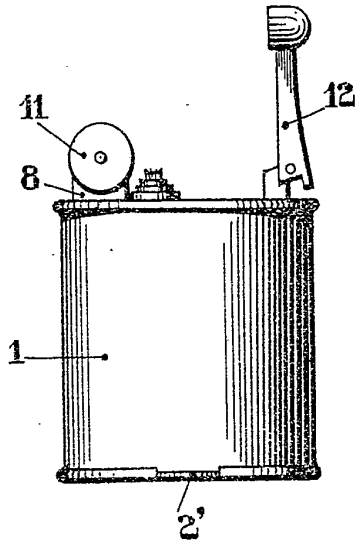


Fig. 5

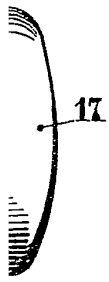
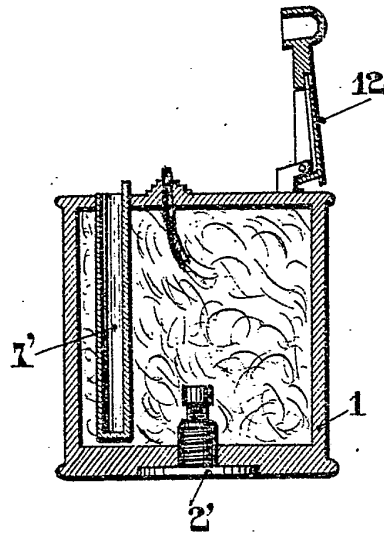


Fig. 6

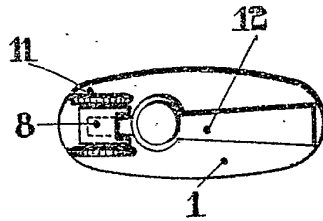


Fig. 7

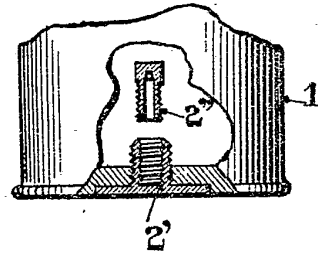


Fig. 8

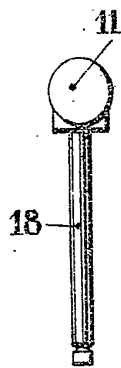


Fig. 9

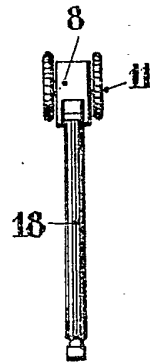


Fig. 1

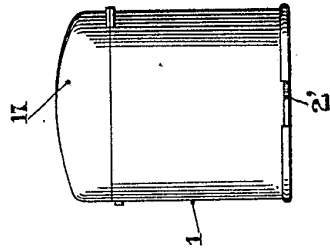


Fig. 2

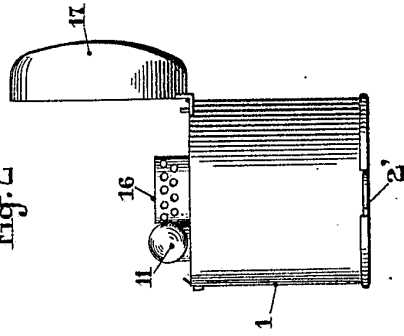


Fig. 3

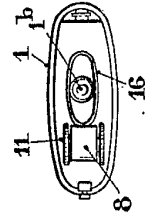


Fig. 4

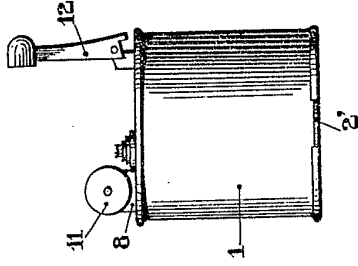


Fig. 5

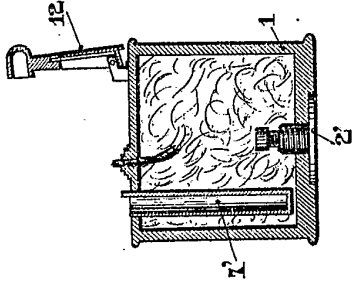


Fig. 6

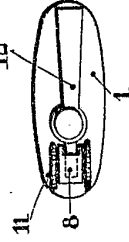


Fig. 7

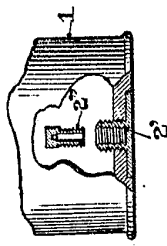


Fig. 8

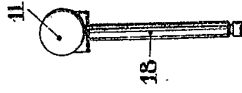
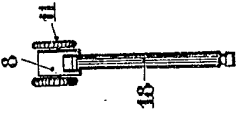


Fig. 9



[This Drawing is a reproduction of the Original on a reduced scale]