

PATENT SPECIFICATION



Application Date: Aug. 13, 1925. No. 20,371 / 25. **261,096**

Complete Left: May 12, 1926.

Complete Accepted: Nov. 15, 1926.

PROVISIONAL SPECIFICATION.

An Improved Pocket Case for Smokers' Lighters or other Articles.

I, WILLIAM FREDERICK WRIGHT, of 60, Poland Street, London, W. 1, British subject, do hereby declare the nature of this invention to be as follows:—

5 My invention relates to an improved pocket case for smokers' lighters or other articles and has for its object to provide a simple form of case which will be neat in appearance, having a smooth exterior
10 free from projections, enclosing the whole of the parts of the smoker's lighter or the like, and in which the means for fastening the cover thereof are effectively concealed though capable of being readily
15 operated by one hand.

According to this invention, my improved case is formed in two portions slidable one upon the other and to one portion is hinged a cover adapted to be
20 turned into position over the top of the case. The movable portion of the case is adapted to slide upon the other portion so as to engage with the hinged cover to retain it in position and prevent it
25 turning about its hinge. When the movable portion is withdrawn, the hinged cover will be released and may be turned back by hand or automatically by means of a spring or by its own weight. The
30 edges of the slidable portion of the case and the hinged cover are shaped so as to interlock with one another when the movable portion of the case is caused to slidably engage the cover.

35 In carrying my invention into practice as applied to a smoker's pocket lighter, the main body of the case may be substantially flat with rounded or semi-circular ends. A longitudinal joint
40 extends vertically up these two ends between the front and back portions of the case which are slidable on each other. Within the case is enclosed the container for the wick and inflammable liquid such
45 as petrol, which is to be ignited by a suit-

able form of flint and wheel or other means for providing a spark of any well known construction. The front portion of the case is adapted to slide vertically on the rear portion, and the edges of the two portions are folded over so as to interlock with one another. The upper portion of the back of the case is hinged so as to turn over in a rearward direction and this hinged portion is provided with shaped edges corresponding to the back of the case and adapted to be engaged by the upper portion of the front of the case when this is slidden in an upward direction. A suitable spring may be provided in the hinge so as to cause the cover of the case to open automatically directly it is released by sliding down the front of the case. This will disclose the mechanism of the lighter which can then be used. After use, the case may be closed by turning the cover about its hinge with one finger and pushing up the front of the case so that it slides into engagement with the edges of the cover. This latter operation may be readily performed by the thumb, the case being held in one hand all the time. It is preferred to employ a device for igniting the wick which is mounted entirely upon the top of the container, being preferably supported in a horizontal position thereon by means of a small pillar or post at about its centre. The usual flint or the like is mounted in a tubular casing and pressed by means of a spring against a serrated steel wheel in the usual manner, an adjusting screw being provided at the other end of the casing for regulating the pressure between the parts. The vertical edges of the hinged cover may be turned inwardly so as to form a flat abutment to engage against the face of the slidable portion of the case, and both these parts are provided with L-shaped

[Price 1/-]

strips projecting in opposite directions and adapted to interlock with one another when the front of the case is moved upwardly into engagement with the cover. Inside the cover may be mounted a suitable tube or hood adapted to engage over the wick of the lighter when the cover is in the closed position.

Although I have described my improved case as it is applied to a smoker's lighter, it is to be understood that it may be adapted for containing other articles.

Such a case constructed according to my invention will have a smooth exterior free from projections. It may be easily operated whilst held in one hand and the fastening means are concealed when the case is closed. 15

Dated this 13th day of August, 1925.

RAYNER & Co., 20
5, Chancery Lane, London, W.C. 2,
Agents for the Applicant.

COMPLETE SPECIFICATION.

An Improved Pocket Case for Smokers' Lighters or other Articles.

I, WILLIAM FREDERICK WRIGHT, of Silver House, 31 and 33, Beak Street, London, W. 1, late of 60, Poland Street, London, W. 1, British subject, do hereby declare the nature of this invention and in what manner the same is to be performed, to be particularly described and ascertained in and by the following statement:—

My invention relates to an improved pocket case for smokers' lighters or other articles and has for its object to provide a simple form of case which will be neat in appearance, having a smooth exterior free from projections, enclosing the whole of the parts of the smoker's lighter or the like, and in which the means for fastening the cover thereof are effectively concealed though capable of being readily operated by the hand.

More particularly does my invention relate to the heretofore proposed type of case which is formed in two portions slidable one upon the other and to one portion is hinged a cover adapted to be turned into position over the top of the case, the movable portion of the case being adapted to slide upon the other portion so as to engage with the hinged cover to retain it in position and prevent it turning about its hinge, whereby when the movable portion is withdrawn the hinged cover will be released and may be turned back. In some such devices heretofore proposed one portion has its vertical edges grooved or channelled to receive fillets or flat lateral projections on the vertical edges of the other portion and on the cover. In one proposed device the part carrying the hinged cover is adapted to serve as a holder for needles, and in another device the two portions constitute a box-like container.

According to this invention a case of the type set forth above comprises two

parts slidably connected to each other so that they can co-operate to totally enclose a container or other contents, each of the said two parts having grooves in their vertical edges which are interlocked with each other, one part which serves to support the said container or other contents carrying a hinged lid which also has grooves for interlocking with the grooves in the other part. 70

Although I have described my improved case as it is applied to a smoker's lighter, it is to be understood that it may be adapted for containing other articles. Such a case constructed according to my invention will have a smooth exterior free from projections. It may be easily operated whilst held in one hand and the fastening means are concealed when the case is closed. 80 85

In order that my invention may be more readily understood reference is made to the accompanying drawings, in which:— 90

Fig. 1 is a perspective view showing a smoker's lighter with the case open.

Fig. 2 is a rear perspective view with the case closed, and 95

Fig. 3 is an underplan of the same.

Referring to the drawings, the smoker's lighter comprising a container 1 having a lighting device 8 mounted on its upper end, is enclosed in my improved casing comprising a front portion 2 and a rear portion 3. The rear portion 3 is secured to the container 1 and the front portion 2 is adapted to slide on the rear portion 3, interlocking grooved edges 4 being provided at each side for this purpose so that the portions 2, 3 co-operate totally to enclose the container or other contents. 100 105

Upon the rear portion 3 of the case is mounted a lid or cover 5 hinged at 6 as shown. Grooved edges 7 are also formed

on the lid as indicated and are adapted to engage the similar grooves on the front of the case 2 when in the closed position shown in Fig. 2. The front portion 2 of the case may however be caused to slide downwardly on the rear portion 3 until the grooved edges 7 of the cover 5 are free from the grooves 4 of the front of the case. The lid may then be turned back about its hinge 6 either by hand, gravity or spring means. When spring means is employed this may be incorporated in the hinge in any known manner. In order to again close the case the lid is turned about its hinge until it assumes a position in line with the back portion 3 of the case and if the front portion be now caused to slide upwardly the grooves 7 will again engage the grooves 4 in the front of the case and the lid will be held in position so as to completely enclose the smoker's lighter.

The smoker's lighter shown in the drawings consists of a horizontal bar 10 mounted upon a substantially central post 11 on the top of the container. At one end of this bar is supported the usual serrated wheel 12 against which is pressed a "flint" or suitable composition arranged in an axial hole through the bar 10 and pressed against the wheel by means of a spring adapted to be adjusted by the screw 14 engaged in the end of the bar. Adjacent to the striking wheel 12 and in a position so that the sparks formed when the wheel is rotated will be projected on to it, is provided a wick 15 in a suitable holder and connected with the container 1 for the supply of petrol or other volatile fuel. A cylindrical or other hood 16 is mounted in the cover 5 in a position to engage over the wick 15

when the lid is in the closed position. A suitable filling aperture 17 is provided in the base of the container 1.

Whilst the above description shows the method of applying my case to a smoker's lighter other articles may be arranged on the part 3 of the case in the same manner.

Having now particularly described and ascertained the nature of my said invention and in what manner the same is to be performed, I declare that what I claim is:—

1. A pocket case of the type set forth and being suitable for smokers' lighters or other articles, comprising two parts slidably connected to each other so that they can co-operate totally to enclose a container or other contents, each of the said two parts having grooves in their vertical edges which are interlocked with each other, one part which serves to support the said container or other contents carrying a hinged lid which also has grooves for interlocking with the grooves in the other part.

2. In a pocket case for smokers' lighters or other articles according to Claim 1, the provision of spring means to cause the lid to open when it is released by drawing down the front portion of the case.

3. The improved pocket case for smokers' lighters substantially as described in the specification with reference to the accompanying sheet of illustrative drawings.

Dated this 12th day of May, 1926.

RAYNER & Co.,
5, Chancery Lane, London, W.C. 2,
Agents for the Applicant.

[This Drawing is a reproduction of the Original on a reduced scale.]

Fig. 1.

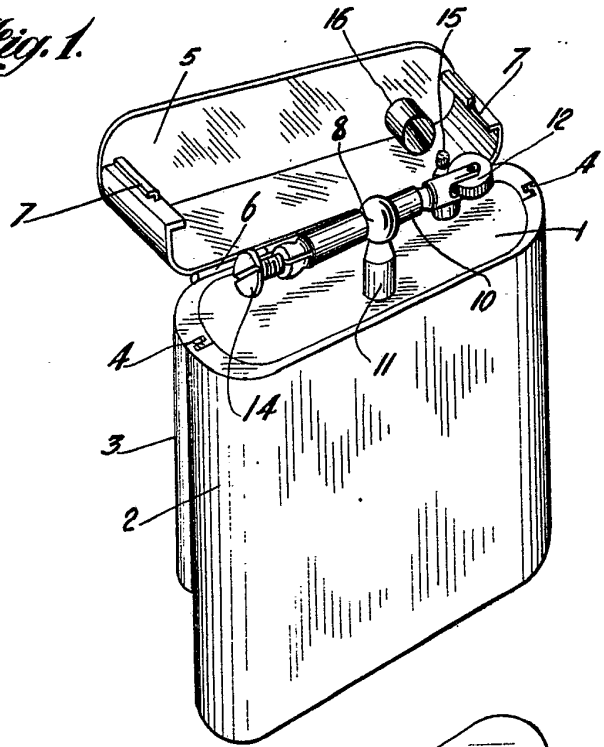


Fig. 2.

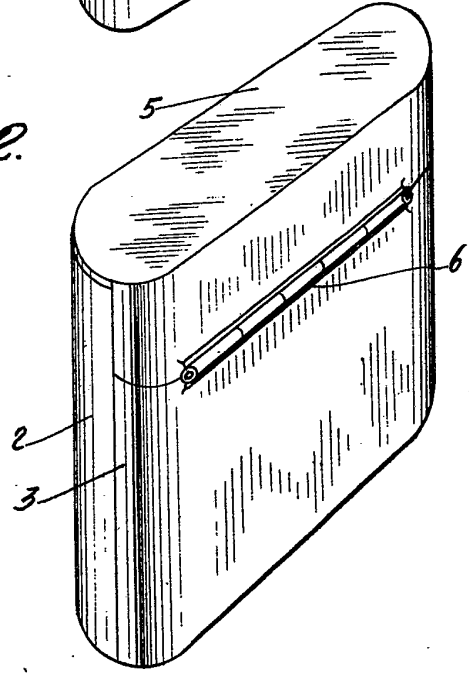


Fig. 3.

