

## PATENT SPECIFICATION

Application Date : Feb. 25, 1924. No. 4768/24.

227,304

Complete Accepted : Jan. 15, 1925.



## COMPLETE SPECIFICATION

## Improvements in and relating to Electric Lighters for Cigars and the like.

I, ALFRED SCHOELLER, of No. 117, Mörfelderlandstrasse, Frankfort on the Main, Germany, of German nationality, do hereby declare the nature of this invention and in what manner the same is to be performed, to be particularly described and ascertained in and by the following statement :—

This invention relates to an electric cigar lighter with removable heating wire carrier, the heating wire being of such dimension that it can be sufficiently heated in order to permit of using it separately from the source of current. The known devices of this type are composed of a great number of parts, they are consequently expensive and not very secure in working or the heating body is not visible from the outside so that an unnecessary overheating takes place.

According to this invention a heating wire carrier is removably mounted in a frame on the contact casing which leaves the heating wire visible from the outside, the carrier being clamped in position in the frame by means of a spring which serves at the same time as a current bridge.

The invention is shown on the accompanying drawing, in which :—

Fig. 1 shows the electric ignition body in section and in front elevation.

Fig. 2 shows in front elevation and in vertical section the switch which serves as current supplying socle.

Fig. 3 shows in front elevation and in vertical section the ignition body inserted in the switch-socle.

A is a casing which serves as carrier for the heating wire D the outer end of said wire being connected to said casing A. B is the heat insulating mass. C is a bottom plate of insulating material designed to insulate the heating spiral.

[Price 1/-]

F is the contact casing for the heating spiral carrier. L is a frame on the contact casing. K is a contact button for establishing the connection with the one pole of the current lead, the other pole being connected to the casing F. This contact button K is acted upon by a blade spring G which serves for securely holding the heating spiral carrier in the casing, the other end of said spring G serving to maintain the press button H normally in the switched off position. When the press button is pushed in it presses the lower end of said blade spring G against the contact plug J of the casing whereby the circuit is closed. The inner end of the heating wire D passes through a hole in the bottom plate C so as to contact with the button K when the carrier is inserted in the frame.

The operation is as follows :—

The heating spiral carrier A is inserted into the frame L and held in this position by the button K and the spring G. If the press button H is pushed in the circuit is closed and current flows from the contact plug J through the spring G and the button K to the heating spiral and thence back through the mass of the casings to the contact connection to the casing F. The heating spiral D being visible from the outside it can be seen at once when the heating spiral has been sufficiently heated whereupon the press button H is released. The heating spiral carrier A can now be removed from the casing and used for igniting a cigar.

Having now particularly described and ascertained the nature of my said invention and in what manner the same is to be performed, I declare that what I claim is :—

Electric lighter for cigars and the like the heating wire carrier of which is

removably connected with the contact casing, characterized in that the heating wire carrier A, is held in a frame L on the contact casing F in such a manner that the heating wire is visible from the outside and that the heating wire carrier A, is secured in its inserted position by a contact spring G pressing a button K from behind against the bottom C of the heating wire carrier. 10

Dated this 25th day of February, 1924.

FRANCIS HERON ROGERS,  
Agent for Applicant,  
Bridge House, 181, Queen Victoria  
Street, London, E.C. 4. 15

2<sup>nd</sup> Edition:

Fig. 1.

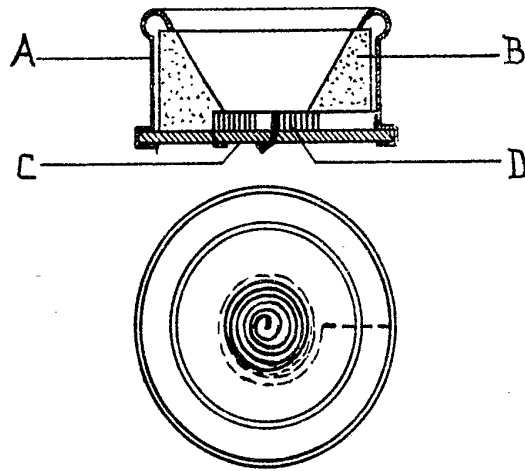


Fig. 2.

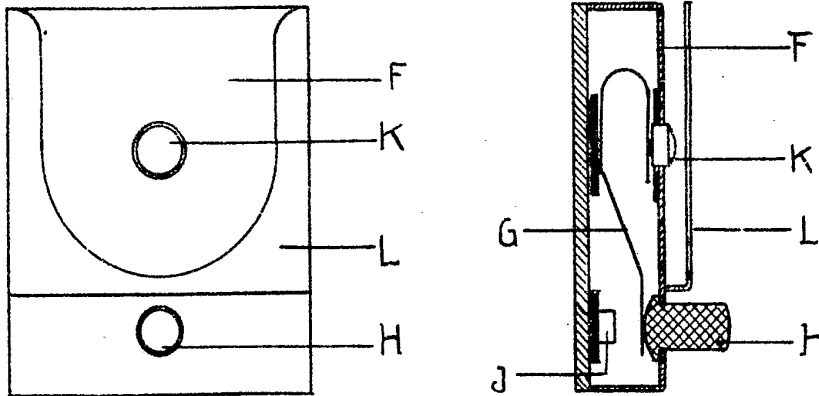
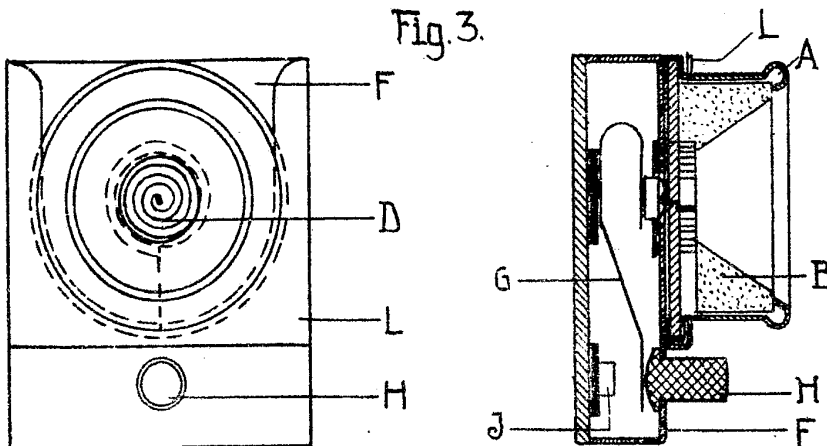


Fig. 3.



[This Drawing is a reproduction of the Original on a reduced scale.]