

PATENT SPECIFICATION



Application Date: May 3, 1924. No. 10,986 / 24.

226,428

Complete Accepted: Dec. 24, 1924.

COMPLETE SPECIFICATION.

Improvements in Pocket Lighters.

I, KARL HASENAUER-GENOTTE, of 37, ulice Swat, Zofji, Lemberg, Galicia, an Austrian national, do hereby declare the nature of this invention and in what manner the same is to be performed, to be particularly described and ascertained in and by the following statement:—

Pocket lighters using petrol or the like for fuel are commonly only capable of service in the absence of wind or draught, but it has been proposed to surround the wick with a perforated wind guard, to prevent the flame from being blown out. This device is effective, but the perforated guard acts as a kind of chimney, and the consumption of fuel is thus increased. In order to meet this increased consumption of fuel I provide the lighter with a fuel container, which can be slipped into the casing and feeds fuel to the wick chamber through cover of absorbent material placed over its mouth.

The use of such fuel container feeding fuel through an absorbent cover into the wick chamber of a pocket lighter is not in itself novel, but so far as I am aware this feature has not heretofore been used in combination with a perforated wind guard around the wick.

The invention is illustrated in the annexed drawings, which show two examples, in Figs. 1 and 2 and in Figs. 3 respectively.

Fig. 1 is a view, partly in longitudinal section, and

Fig. 2 a section on the line *a-b* of Fig. 1.

Fig. 3 is a longitudinal section with some parts in elevation.

Referring first to Figs. 1 and 2, 1 is the casing of the lighter, and 2 a friction wheel of known type, mounted with the usual flint or the like on a holder including a tube 3 fixed to the casing. In the casing 1 there is a petrol container 4, which can be slid out of the casing at the

bottom, but is normally retained therein by friction. Above the container 4 there is a wall or cover 5 forming the top of a chamber 6 containing cotton wool. A portion of the wick 7 passes through a hole 8 in the cover 5. In the mouth of the container 4 there is a screw 9, holding down a washer or disc 10 of leather or other absorbent material. The wick issuing from the hole 8 is surrounded by a cylindrical guard 11 having holes 12 and having also a slot 13 for entrance of sparks produced by turning the wheel 2.

The perforations of the guard prevent the flame from being extinguished by a current of air sweeping over the mouth of the guard, because they admit air to take the place of that which is sucked out of the space within the guard. The petrol burns with a blue flame of comparatively high temperature. The petrol is sucked by the absorbent material 10 along the thread of the screw 9 and passes into the wick chamber 6 partly in the form of vapor. It keeps the cotton wool saturated, so that there is a continuous and adequate supply to the issuing wick, even when the consumption is increased by using the appliance in a strong wind.

The guard may be made detachable, and be screwed to the casing, or slid on to, or into, a neck thereof.

In the modification shown in Fig. 3 there is a hinged, spring actuated cover 14 mounted on an outer casing and having a gear device for rotating the wheel 2 when it springs open. Within the cover there is a tubular member 15, which serves as an extinguisher when the cover is shut down, and also protects the wheel from petrol. The guard 11 is preferably of elliptical cross section, enabling the extinguisher to enter it without requiring the size of the appliance as a whole to be increased unduly.

[Price 1/-]

The wheel 2 may be wholly outside the guard, instead of having a portion of its rim within the slot 13; on the other hand, it may be farther inside the guard, the axle being in fact within the guard, if desired.

Having now particularly described and ascertained the nature of my said invention and in what manner the same is to be performed, I declare that what I claim is:—

1. A pocket lighter, using petrol or the like having in combination a perforated guard around the wick, a wick chamber and a removable fuel container having a

mouth, leading to said chamber, covered by absorbent material adapted to afford gradual passage to fuel from the container to the wick chamber.

2. A pocket lighter as claimed in Claim 1, having a hinged cover mounted on an outer casing and a tubular member within the said cover, serving as an extinguisher when the cover is shut down.

Dated this 3rd day of May, 1924.

For the Applicant,

HERBERT HADDAN & Co.,
Chartered Patent Agents,
31 & 32, Bedford Street, Strand, London.
W.C. 2.

[This Drawing is a reproduction of the Original on a reduced scale]

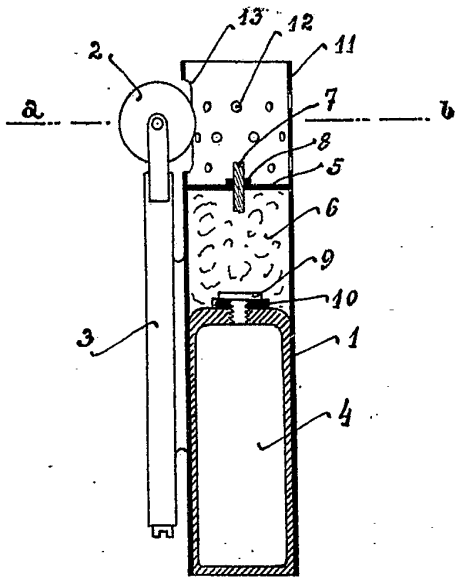


Fig. 2.

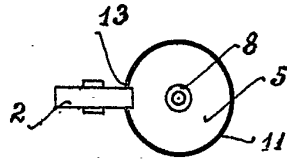


Fig. 3.

