

125,822

PATENT



SPECIFICATION

Application Date, June 15, 1918. No. 9903/18.

" " July 15, 1918. No. 11,591/18.

One Complete Specification Left, Jan. 13, 1919.

Complete Accepted, May 1, 1919.

PROVISIONAL SPECIFICATION.

No. 9903, A.D. 1918.

Improvements in Pocket Igniters or Lighters.

I, CHARLES JAMES WHISTLER HANSON, A.I.E.E., of 143—147, Rosebery Avenue, London, E.C. 1, a subject of the King of Great Britain and Ireland, do hereby declare the nature of this invention to be as follows:—

5 This invention relates to pocket igniters or lighters especially adapted for the use of smokers for lighting pipes, cigars and cigarettes of the type which include a container for a combustible substance usually cotton wool impregnated with petrol, with a wick projecting from the container and a rotatable friction or sparking member carried by the container adapted on operation to emit sparks for igniting the wick.

10 According to the present invention I provide an improved simplified and efficient construction of such a device in which the container is formed of metal of a flat rectangular section with rounded ends having upper and lower covers securable thereto and provided at its base with an aperture for charging same closable by a screw-cap. The upper cover has a perforated boss through which
15 the wick projects. Attached at one side of the container is the friction device comprising as usual a roughened or toothed wheel conveniently positioned adjacent the wick and adapted to frictionally contact with part of its support to produce the sparks.

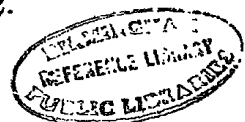
20 One of the disadvantages inherent to devices of this kind is that they are usually provided with a completely removable push on or screw on cap for the wick which frequently becomes misplaced or lost thus rendering the device useless, but according to the present invention I provide a cap adapted to screw on to threads on the wick boss and be removed therefrom at will but which is
25 never detached from the device and this is preferably effected by fitting the cap slidably within a ring or equivalent carried by an arm which is pivoted to a stud projecting upwards from the top or upper cover of the container. The sliding mounting of the cap in the ring permits it to be readily screwed onto and unscrewed from the wick boss and the fact that said ring is permanently attached to the device prevents it becoming lost or mislaid.

30 Dated this 15th day of June, 1918.

For the Applicant,

HERBERT HADDAN & Co.,
Chartered Patent Agents,
31 & 32, Bedford Street, Strand, W.C. 2.

[Price 6d.]



PROVISIONAL SPECIFICATION.

No. 11,591, A.D. 1918.

Improvements in Pocket Igniters or Lighters.

I, CHARLES JAMES WHISTLER HANSON, A.I.E.E., of 143—147, Rosebery Avenue, London, E.C. 1, a subject of the King of Great Britain and Ireland, do hereby declare the nature of this invention to be as follows:—

This invention relates to pocket igniters or lighters, especially adapted for the use of smokers; for lighting pipes, cigars, and cigarettes, of the type which include a container for a combustible substance, with a wick projecting from the container and a rotatable friction or sparking member carried by the container adapted on operation to emit sparks for igniting the wick. 5

In such igniters, failure to ignite the wick sometimes occurs by dispersion of the vapour, and failure to keep the wick properly alight also occurs where the device is used in a high wind or draught, and it is the object of the present invention to provide an igniter of the type mentioned, with a wind guard or screen, which can when required be brought to entirely or substantially entirely surround the wick portion of the device, and assist the ignition and prevent extinguishing of the flame by wind or draught. 10 15

To this end and in a practical embodiment of the invention, I provide such wind guard or screen in the form of a sheath or sleeve surrounding and slidable on the container of the igniter in such a manner that when desired the upper part of said sheath may be moved sufficiently to form round the wick or flame an annular chamber to protect same from the wind, the sheath after use being then slid back out of active position. 20

The sheath may be secured to the container in any suitable way, according to the design of the igniter, but one method is to provide said sheath with a tubular extension which surrounds and slides on the post or standard at the side of the container, carrying the sparking member, and is prevented from being pulled off downwards by a nut on the end of said post, and the sheath may be split so as to permit its parts to be slightly separated for passing over the end cap of the container and then frictionally grip the container sufficiently to hold it in place against accidental movement. In order to prevent the sheath being raised too far, or being pulled off upwards when using the screen, I may further split the material of the sheath to provide shoulders, which will abut against the under surface of the upper container cover, or against some other abutment, or other means for limiting the movement of the sheath in one or both directions may be adopted. 25 30

To permit easy sliding movement of the sheath on the container, the same may be provided with roughened surfaces or finger holds, or be perforated or recessed, as may be found desirable. 35

Dated this 15th day of July, 1918.

For the Applicant,

HERBERT HADDAN & Co.,
Chartered Patent Agents,
31 & 32, Bedford Street, Strand, W.C.2, London.

40

COMPLETE SPECIFICATION.

Improvements in Pocket Igniters or Lighters.

I, CHARLES JAMES WHISTLER HANSON, A.I.E.E., of 143—147, Rosebery Avenue, London, E.C. 1, a subject of the King of Great Britain and Ireland, 45

do hereby declare the nature of this invention and in what manner the same is to be performed, to be particularly described and ascertained in and by the following statement:—

5 This invention relates to pocket igniters or lighters especially adapted for the use of smokers for lighting pipes, cigars and cigarettes of the type which include a container for a combustible substance, usually cotton-wool, impregnated with petrol, with a wick projecting from the container and a rotatable friction or sparking member carried by the container adapted on operation to emit sparks for igniting the wick.

10 According to the present invention, I provide an improved, simplified and efficient construction of such a device in which the container is formed of metal of a flat rectangular section with rounded ends having upper and lower covers securable thereto and provided at its base with an aperture for charging same closable by a screw-cap. The upper cover has a perforated boss through which
15 the wick projects. Attached at one side of the container is the friction device comprising as usual a roughened or toothed wheel conveniently positioned adjacent the wick and adapted to frictionally contact with part of its support to produce the sparks.

20 One of the disadvantages inherent to devices of this kind is that they are usually provided with a completely removable push-on or screw on cap for the wick, which frequently becomes misplaced or lost, thus rendering the device useless, but according to the present invention I provide a cap adapted to screw on to threads on the wick boss and be removed therefrom at will, but which is never detached from the device.

25 In igniters of the type previously referred to, failure to ignite the wick sometimes occurs by dispersion of the vapour, and failure to keep the wick properly alight also occurs where the device is used in a high wind or draught. Slidable draught screens have been proposed to obviate this and a further
30 feature of the present invention consists in providing an improved form of said sliding wind-guard or screen, of annular form adapted when required to be moved to entirely or substantially entirely surround the wick portion of the device, and assist the ignition and prevent extinguishing of the flame by wind or draught.

35 A practical embodiment of the invention is represented in the accompanying drawings, wherein:—

Fig. 1 is an elevation of the improved igniter with parts in section.

Fig. 2 is a perspective view of the wind guard or screen, and Fig. 3 a plan view thereof.

40 The body or container *a* of the igniter is shown of a relatively flat rectangular section in plan with rounded ends, and is closed at top and bottom by covers *b* and *c* respectively, the lower cover *c* having an aperture for charging the container, closable as by a screw-cap *d*. The upper cover *b* is provided with a perforated boss *e* through which the wick extends. This boss is externally screw-threaded to receive the screw-cap *f* for closing over the boss and wick,
45 and the said cap *f* is slidably mounted in a ring *g* formed in the end of an arm *h* pivoted at *h*¹ to a stud or equivalent *i* carried by the upper cover *b*. This slidable mounting of the cap in the ring and the pivoted arm permits the cap to be readily screwed on to the wick boss as shown in full lines in Fig. 1 or unscrewed from said boss and turned over into the position shown
50 in broken lines in said figure, and the fact that said ring and arm are permanently attached to the igniter prevents it becoming lost or mislaid.

55 To now turn to the wind guard or screen feature, this is provided in the form of a sheath or sleeve *j* surrounding and slidable on the container *a* of the igniter in such a manner that when desired the sheath may be moved sufficiently that its upper part forms round the wick or flame an annular protective wall *j*¹ as shown in Fig. 1, to protect the wick from the wind, the sheath after use being then slid back out of active position.

The sheath may be secured to the container in any suitable way, according to the design of the igniter, but the method shown is to provide said sheath with a tubular extension *k* which surrounds and slides on the post or standard *l* at the side of the container, carrying the sparking member *m*, but is prevented from being pulled off downwards by a nut *n* on the end of said post and by abutting against the edge of the lower cover *c*. The sheath may be split as at *o* to permit of its parts being slightly separated for passing over an end cover of the container, and then frictionally grip the latter sufficiently to hold it in place against accidental movement. In order to prevent the sheath being raised too far, or being pulled off upwards when using the screen, I may further split the material of the sheath as at *p* to provide shoulders *q* which will abut against the under edge of the upper cover *b* or against some other abutment, or other means for limiting the movement of the sheath in one or both directions may be adopted.

To permit easy sliding movement of the sheath on the container, the same may be provided with roughened surfaces or finger holds, or as shown, be perforated or recessed as at *r* as may be found desirable.

Having now particularly described and ascertained the nature of my said invention and in what manner the same is to be performed, I declare that what I claim is:—

1. A pocket igniter or lighter of the type hereinbefore specified, having a screw-cap for fitting over the wick, characterized by said cap being incapable of complete detachment from the igniter.
2. An igniter or lighter according to Claim 1, wherein the cap is slidably mounted in a ring carried by an arm pivotally mounted on the upper part of the igniter.
3. An igniter or lighter of the type hereinbefore specified having a sliding wind guard or screen, characterized by said screen being of annular form positioned around the igniter body and adapted to substantially entirely surround the wick.
4. An igniter or lighter according to Claim 3, wherein the wind guard or screen has an extension slidable on the part carrying the sparking member, and is split to permit passage over the container ends, being also provided with shoulders to limit its movement in one direction.
5. A pocket igniter or lighter of the type hereinbefore specified comprising in combination a container of relatively flat cross section in plan with rounded ends, a non-detachable screw-cap for closing on the wick, and a wind guard or screen adapted to slide on the container to form an annular protective wall around the wick substantially as hereinbefore described and illustrated in the accompanying drawings.

Dated this 13th day of January, 1919.

For the Applicant,

HERBERT HADDAN & Co.,
Chartered Patent Agents,
31 & 32, Bedford Street, Strand, W.C. 2, London.

[This Drawing is a reproduction of the Original on a reduced scale.]

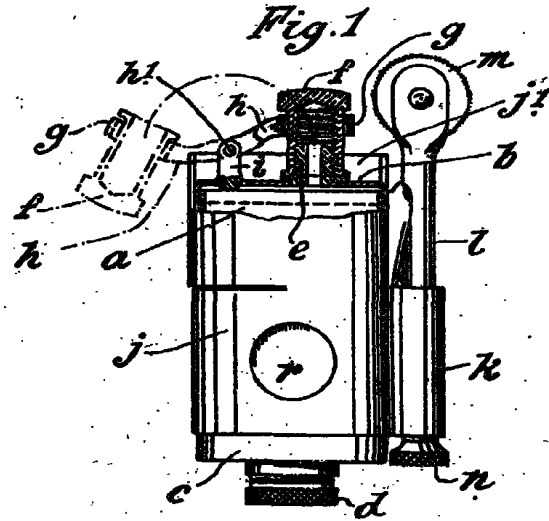


Fig. 2

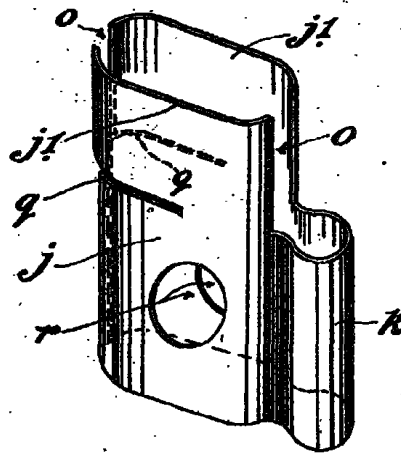


Fig. 3

