

123,444

PATENT



SPECIFICATION

Application Date, Apr. 11, 1918. No. 6144/18.

Complete Left, Oct. 10, 1918.

Complete Accepted, Feb. 27, 1919.

PROVISIONAL SPECIFICATION:

Improvement in Tinder Lighters.

I, ARTHUR HERBERT VAUGHAN-WILLIAMS, Captain, retired, Manor Lodge, Old Windsor, Berks, do hereby declare the nature of this invention to be as follows:—

This invention consists in adapting the ordinary tinder lighter consisting of
5 a tube and spark producer, to take a spirit container, with wick and cap, and to which is attached a chain and hook, to attach the tinder to. The spirit container may be inserted in the tube of the tinder lighter or attached outside. The spark producer may be fixed or pivoted. The chain may be affixed in such a manner to enable the tinder to be exposed on removal of spirit container or
10 pivoting the spark producer, and the tinder being pulled back again extinguishes the fire.

Dated this 11th day of April, 1918.

A. H. VAUGHAN-WILLIAMS.

COMPLETE SPECIFICATION.

15 **Improvement in Tinder Lighters.**

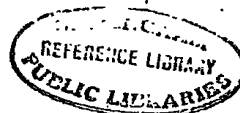
I, ARTHUR HERBERT VAUGHAN-WILLIAMS, Captain, retired, Manor Lodge, Old Windsor, Berks, do hereby declare the nature of this invention and in what manner the same is to be performed, to be particularly described and ascertained in and by the following statement:—

20 This invention relates to pocket igniters of the kind in which both a length of tinder and a spirit lamp are provided and are ignited by a spark producer common to both.

The invention consists in adapting the ordinary tinder lighter comprising a tinder-containing tube and a spark producer, to enable it to take a spirit
25 container, with wick and cap. The spirit container is attached by a chain and hook to the tinder enabling the latter to be readily brought into requisition when the spirit is exhausted from the container.

The invention comprises also the provision of a second length of tinder and spirit container contained in a twin tube to which the spark producer is so
30 pivotally secured that either the length of the tinder or spirit container of either tube may be ignited.

[Price 6d.]



The accompanying drawings shows a form of construction of pocket appliance whereby the above described invention can be performed. In this drawing:—

Fig. 1 is a part sectional elevation of the appliance as carried in the pocket.

Fig. 2 shows the same with the spirit container out of use.

Fig. 3 shows a plan of the twin-tube, spirit container and tinder-container arrangement. 5

Fig. 4 shows a part-sectional elevation of the spark producer.

In these figures A is a tube adapted to contain a length of ignitable tinder B the upper end of which latter can be caused to emerge from A for the purpose of being ignited in the usual way by the spark producer H or C or drawn into the tube A and extinguished by the insertion of a container E, which latter has a cap D. The cap D carries a flint *d* for producing a spark by attrition against a steel C. 10

When the tinder is drawn into the tube A as shown in Fig. 1, space is provided for the reception of the container E occupied by a wick saturated with spirit the upper extremity *e* of the wick protruding through an aperture in E. The container E is connected with the tinder B by a hook and chain F and by such means the tinder can be raised to the ignitable position when desired. 15

To the upper end of the tube A a second spark producer G is secured. This comprises a small mass *g* of the usual preparation which on attrition emits and projects a bright spark. H is a spur-wheel which on being forcibly rotated by the thumb will cause a bright spark to be projected into the vapour generated from the wick *e* of the container E if in place or, alternatively, on to the upper exposed extremity of the tinder A and effect the ignition of either the vapour from the wick *e* or alternatively the tinder A if the container E is exhausted or removed as in Fig. 2, in which latter case the tinder A and the steel *d* and flint C will act as a substitute for the wick *e* flint *g* and wheel H. *g*^o is the well known adjusting screw by which the pressure of a spring against the well known sparking mass *g* can be adjusted as the latter becomes worn. 20 25

To prolong the utility of the lighter without appreciably augmenting its dimensions the spirit container and the supply of tinder which is provided ready for use may conveniently be duplicated by adopting twin tube containers A¹ A² Fig. 3 each fitted either with a spirit container or a length of tinder or both, the spark producer G¹ being pivotally mounted and provided with a projection *g*¹ for regulating the angular displacement of the spark projecting wheel. The closing cap carrying the emergency flint and the emergency steel are as previously mentioned. 30 35

Having now particularly described and ascertained the nature of my said invention and in what manner the same is to be performed, I declare that what I claim is:— 40

1. A tinder lighter, comprising a tinder-containing tube and a spark producer, and a spirit container with wick and cap fitting in said tube, and means for connecting said spirit container to the tinder.
2. A tinder lighter according to Claim 1, having twin tubes, either or both fitted with a spirit container, and a pivoted spark producer for igniting the spirit or the length of tinder of either tube by the same spark producer. 45
3. A tinder lighter constructed substantially as described with reference to the accompanying drawing.

Dated this 10th day of October, 1918.

PHILLIPS & LEIGH,
14—15, Southampton Buildings, Chancery Lane, London, W.C. 2,
Agents for the Applicant. 50

[This Drawing is a reproduction of the Original on a reduced scale.]

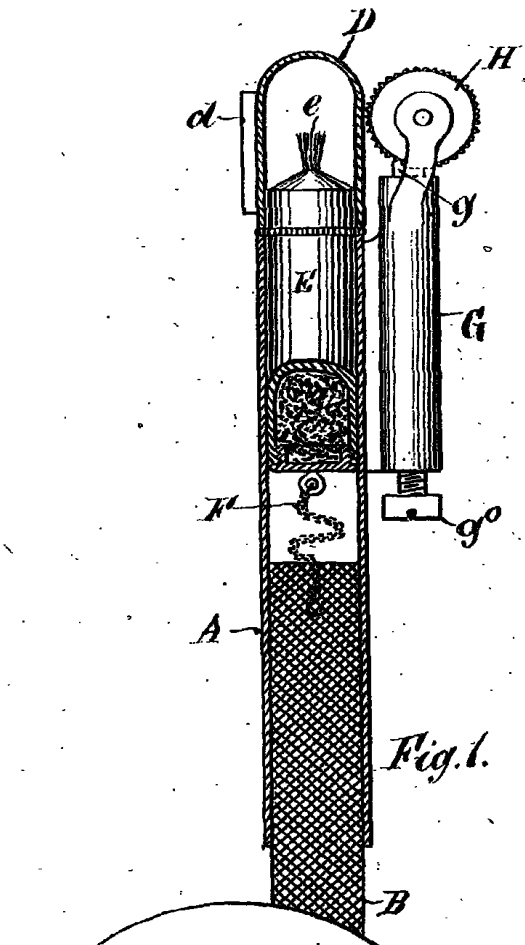


Fig. 1.

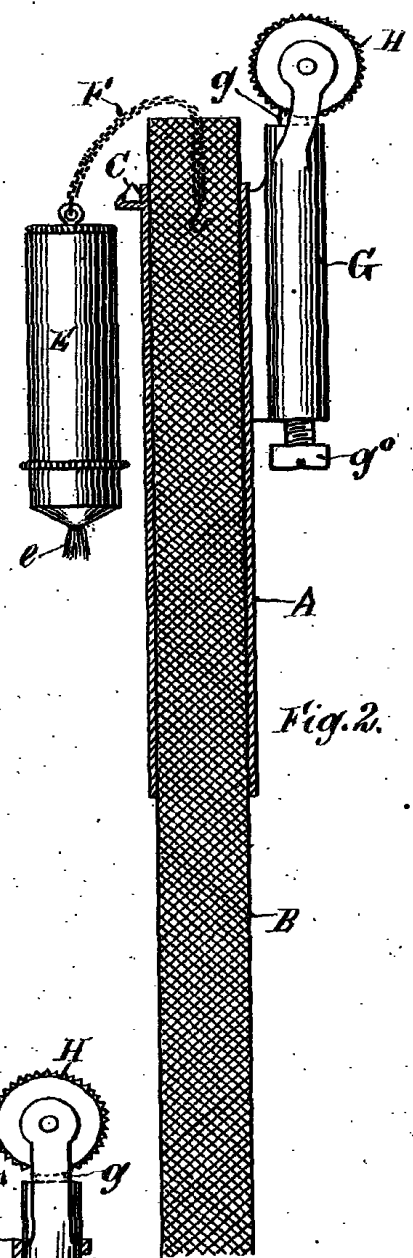


Fig. 2.

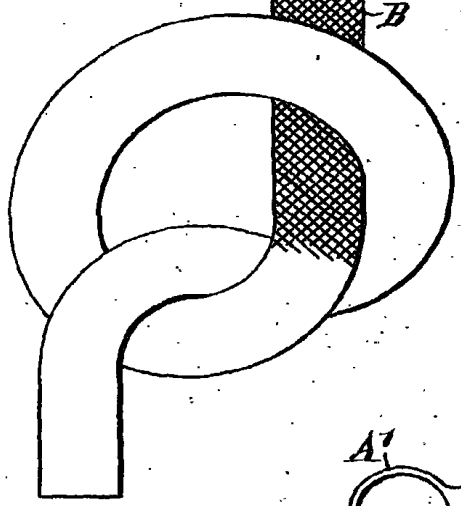


Fig. 3.

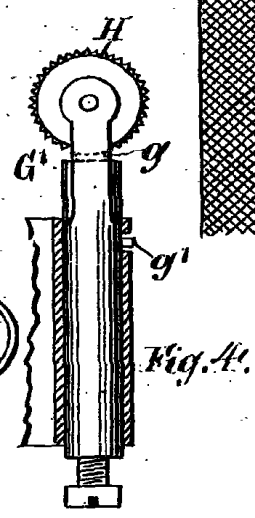


Fig. 4.

